

Thyristor Presspack stack

Electrical Characteristics						
Symbol	Conditions		min	typ	max	Unit
Electrical Data						
$I_D$	Maximum DC current	$T_{AMBIENT} = 35^{\circ}C$ ; No overload		845		A
$V_{AC}$	Maximum AC voltage (+/-10%)			500		$V_{AC}$
$V_{BUS}$	DC Bus voltage			670		$V_{DC}$
$P_{TOTAL}$	Maximum stack power			565		kW
$P_{LOSS}$	Stack power loss ( $T_{AMBIENT} = 35^{\circ}C$ )					W

Environmental Data						
Symbol	Conditions		min	typ	max	Unit
Mechanical Data						
Drawing	SEMIKRON document number.revision.version			11110416.01.A		-
Weight	Approximate total weight			108.4		kg
Altitude	Installation altitude without derating				1 000	m
Protection	IEC 60529			IP00		-
Pollution Degree	EN 50178			2		-

## SEMISTACK® CLASSICS - B6C

Three phase controlled rectifier

### Preliminary Data

Ordering No. 08785011  
Description SKS 845N B6C 570 V16 SU

### Features

- Non-isolated power stacks
- SKT 760/16
- Heatsink U3/515
- Natural cooling
- RC circuit included
- Fuses with microswitches

### Typical Applications

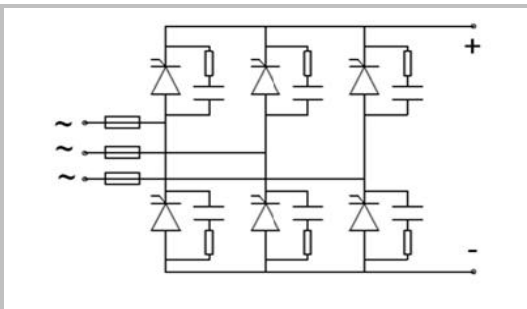
- Regulated power supplies
- Alternator excitation
- Motor control

### Remarks

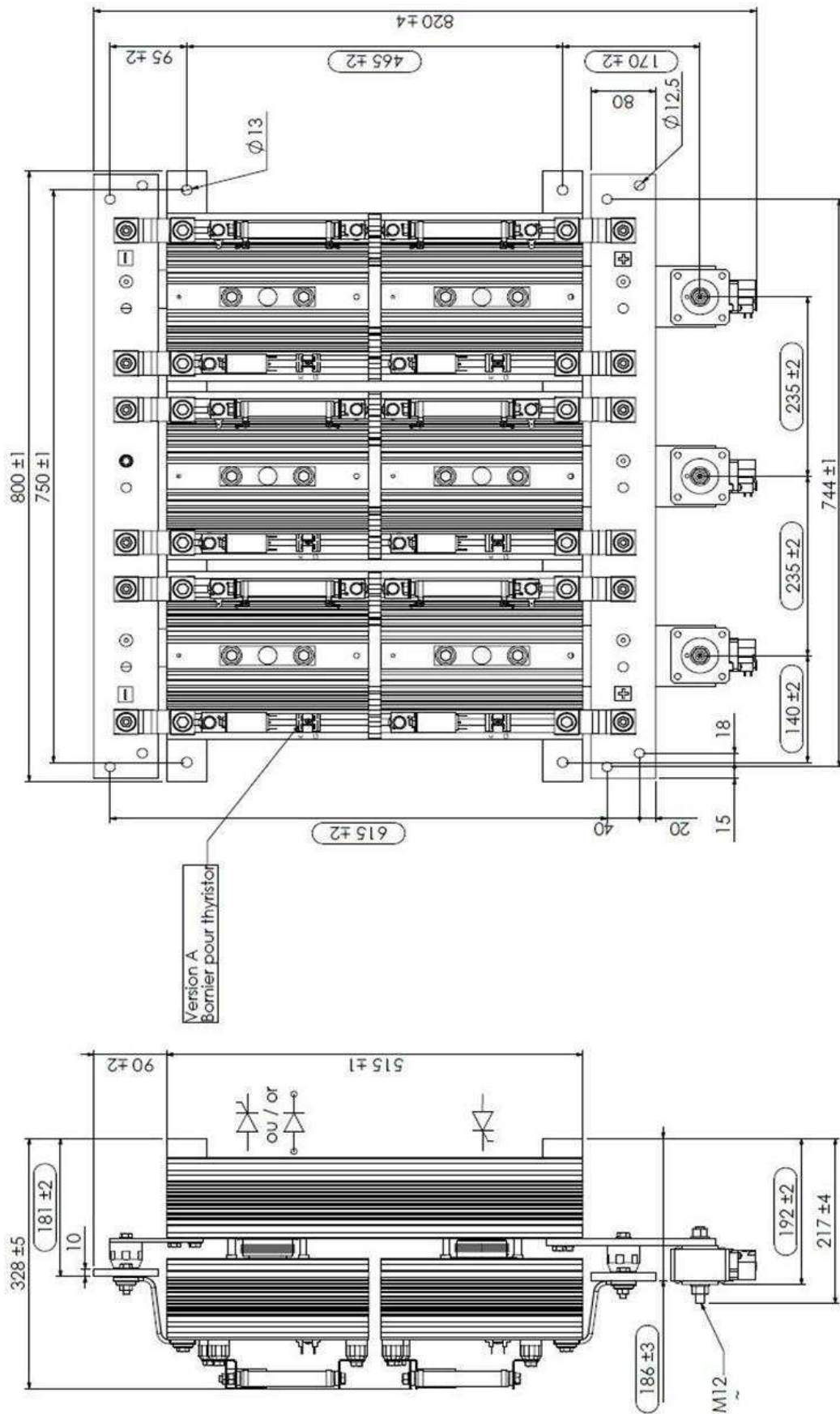
This technical information specifies semiconductor devices but promises no characteristics. No warranty or guarantee, expressed or implied, is made regarding delivery, performance or suitability.

Stack Protection						
Symbol	Conditions		min	typ	max	Unit
RC Circuit						
Type	RC in parallel with each electrical switch			-		-
R	Resistance (80W)			33		Ohm
C				0.47		$\mu F$

Fuses						
Symbol	Conditions		min	typ	max	Unit
Size	1 fuse per phase, with microswitches			33		-
$I_{N,RMS}$	Caliber			1 250		A
$U_N$	Nominal voltage (IEC)			690		V
$I^2t$	Total at $U_N$ at room temperature (approx. 20...25°C)				1942.5	$kA^2s$



B6C



Dimensions

This technical information specifies semiconductor devices but promises no characteristics. No warranty or guarantee expressed or implied is made regarding delivery, performance or suitability.