

Diode Stud stack

Electrical Characteristics						
Symbol	Conditions		min	typ	max	Unit
Electrical Data						
I_D	Maximum DC current	$T_{AMBIENT} = 35^{\circ}C$; No overload		535		A
V_{AC}	Maximum AC voltage (+/-10%)			500		V_{AC}
V_{BUS}	DC Bus voltage			670		V_{DC}
P_{TOTAL}	Maximum stack power			360		kW
P_{LOSS}	Stack power loss ($T_{AMBIENT} = 35^{\circ}C$)					W

Environmental Data						
Symbol	Conditions		min	typ	max	Unit
Mechanical Data						
Drawing	SEMIKRON document number.revision.version			11091216.00.A		-
Weight	Approximate total weight			18.8		kg
Altitude	Installation altitude without derating				1 000	m
Protection	IEC 60529			IP00		-
Pollution degree	EN 50178			2		-

SEMISTACK® CLASSICS - B6U

Three phase uncontrolled rectifier

Preliminary Data

Ordering No. 08785112
Description SKS 535N B6U 360 V16

Features

- Non-isolated power stacks
- SKN 320/16
- Heatsink P1/200
- Natural cooling
- RC circuit included

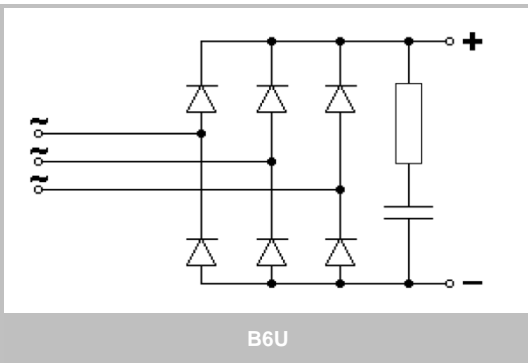
Typical Applications

- Power supplies
- Rectifier for AC/DC motor control

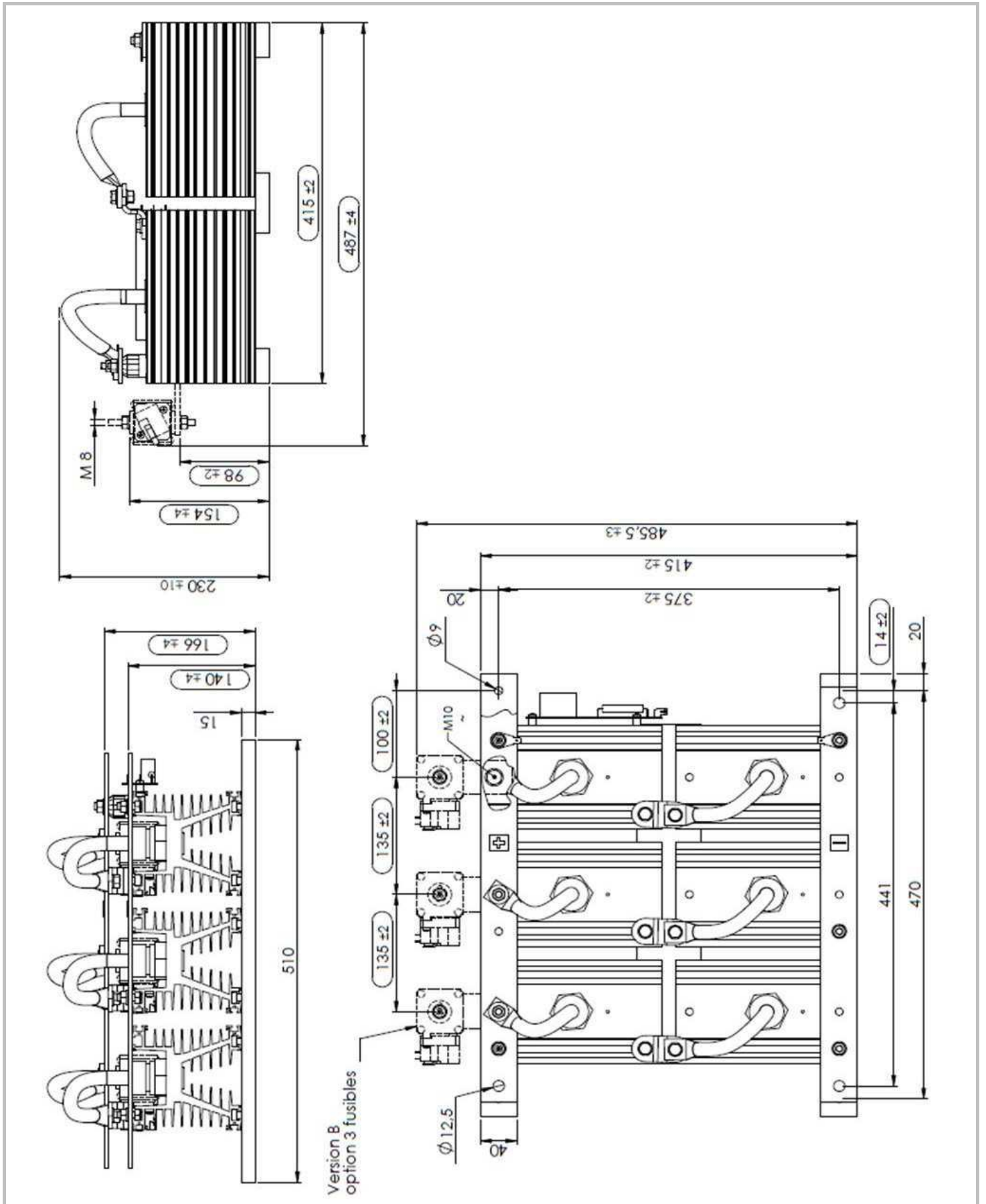
Remarks

This technical information specifies semiconductor devices but promises no characteristics. No warranty or guarantee, expressed or implied, is made regarding delivery, performance or suitability.

Stack Protection						
Symbol	Conditions		min	typ	max	Unit
RC Circuit						
Type	RC in parallel with bridge rectifier			1/2 RC15B		-
R	Resistance (11W)			68		Ohm
C				0.1		μF



B6U



Dimensions

This technical information specifies semiconductor devices but promises no characteristics. No warranty or guarantee expressed or implied is made regarding delivery, performance or suitability.