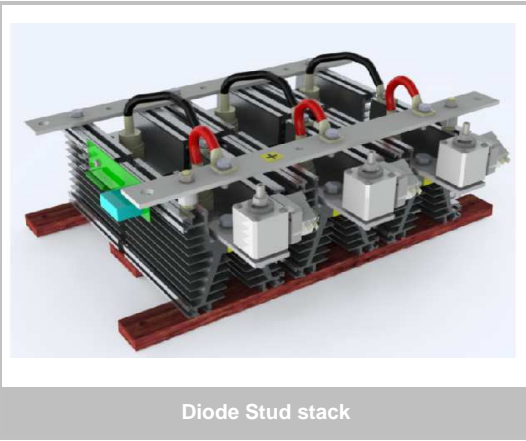


SKS 425N B6U 285 V16 SU



Electrical Characteristics						
Symbol	Conditions		min	typ	max	Unit
Electrical Data						
I_D	Maximum DC current	$T_{AMBIENT} = 35^{\circ}C$; No overload		425		A
V_{AC}	Maximum AC voltage (+/-10%)			500		V_{AC}
V_{BUS}	DC Bus voltage			670		V_{DC}
P_{TOTAL}	Maximum stack power			285		kW
P_{LOSS}	Stack power loss ($T_{AMBIENT} = 35^{\circ}C$)					W

Environmental Data						
Symbol	Conditions		min	typ	max	Unit
Mechanical Data						
Drawing	SEMIKRON document number.revision.version			11092016.00.B		-
Weight	Approximate total weight			14.7		kg
Altitude	Installation altitude without derating				1 000	m
Protection	IEC 60529			IP00		-
Pollution degree	EN 50178			2		-

SEMISTACK® CLASSICS - B6U

Three phase uncontrolled rectifier

Preliminary Data

Ordering No. 08785115
Description SKS 425N B6U 285 V16 SU

Features

- Non-isolated power stacks
- SKN 240/16
- Heatsink P1/150
- Natural cooling
- RC circuit included
- Fuses with microswitches

Typical Applications

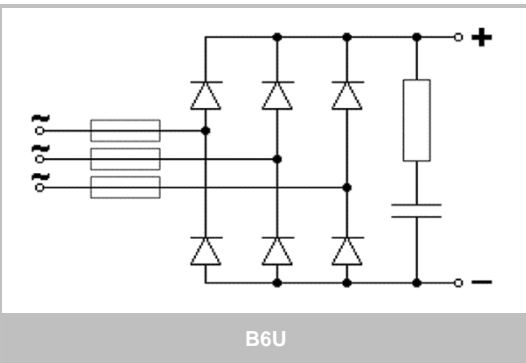
- Power supplies
- Rectifier for AC/DC motor control

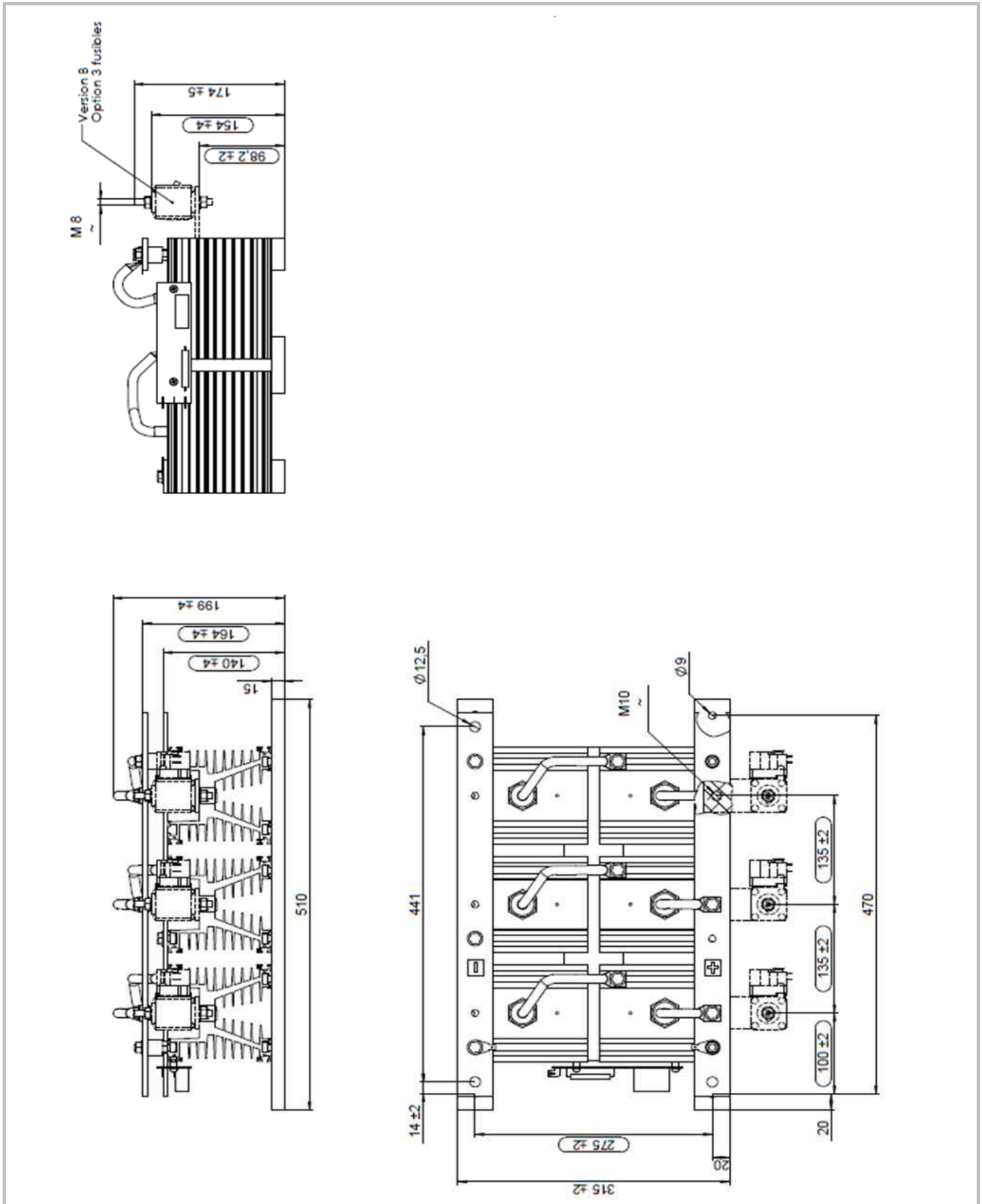
Remarks

This technical information specifies semiconductor devices but promises no characteristics. No warranty or guarantee, expressed or implied, is made regarding delivery, performance or suitability.

Stack Protection						
Symbol	Conditions		min	typ	max	Unit
RC Circuit						
Type	RC in parallel with bridge rectifier			1/2 RC15B		-
R	Resistance (11W)			68		Ohm
C				0.1		μF

Fuses						
Symbol	Conditions		min	typ	max	Unit
Fuses						
Size	1 fuse per phase, with microswitches			30		-
$I_{N,RMS}$	Caliber			400		A
U_N	Nominal voltage (IEC)			690		V
I^2t	Total at U_N at room temperature (approx. 20...25°C)			126		kA^2s





Dimensions

This technical information specifies semiconductor devices but promises no characteristics. No warranty or guarantee expressed or implied is made regarding delivery, performance or suitability.