

Electrical Characteristics						
Symbol	Conditions		min	typ	max	Unit
Electrical Data						
I_D	Maximum DC current	$T_{AMBIENT} = 35^{\circ}C$; No overload		290		A
V_{AC}	Maximum AC voltage (+/-10%)			500		V_{AC}
V_{BUS}	DC Bus voltage			670		V_{DC}
P_{TOTAL}	Maximum stack power			195		kW
P_{LOSS}	Stack power loss ($T_{AMBIENT} = 35^{\circ}C$)					W

Environmental Data						
Symbol	Conditions		min	typ	max	Unit
Mechanical Data						
Drawing	SEMIKRON document number.revision.version			11090806.01.B		-
Weight	Approximate total weight			8.75		kg
Altitude	Installation altitude without derating				1 000	m
Protection	IEC 60529			IP00		-
Pollution degree	EN 50178			2		-

Fan Data						
Symbol	Conditions		min	typ	max	Unit
Fan Data						
Type	SEMIKRON fan designation			SKF 3-230-01		-
V_{FAN}	Fan voltage			230		V_{AC}
f_{FAN}	Fan frequency			50/60		Hz
I_{FAN}	Fan maximum input current			0.12/0.10		A
P_{FAN}	Fan power			15/14		W

Stack Protection						
Symbol	Conditions		min	typ	max	Unit
RC Circuit						
Type	RC in parallel with bridge rectifier			1/2 RC15B		-
R	Resistance (11W)			68		Ohm
C				0.1		μF

Fuses						
Symbol	Conditions		min	typ	max	Unit
Fuses						
Size	1 fuse per phase, with microswitches			30		-
$I_{N RMS}$	Caliber			400		A
U_N	Nominal voltage (IEC)			690		V
I^2t	Total at U_N at room temperature (approx. 20...25°C)				126	kA^2s

Bimetal Thermal Trip						
Symbol	Conditions		min	typ	max	Unit
Bimetal Thermal Trip						
T_S	Switching temperature over which thermal trip is open			90		$^{\circ}C$
$I_{TC MAX}$	Maximum permissible current			1		A
				3		A

SEMISTACK® CLASSICS - B6U

Three phase uncontrolled rectifier

Preliminary Data

Ordering No. 08785125
Description SKS 290F B6U 195 V16 SU

Features

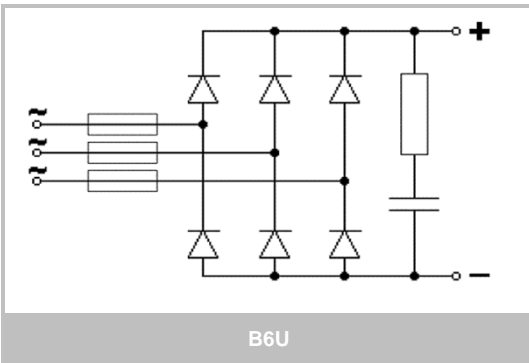
- Isolated power stacks
- SKKD 162/16
- Heatsink P3/265
- Forced air cooling
- RC circuit included
- Fuses with microswitches
- Thermal trip included

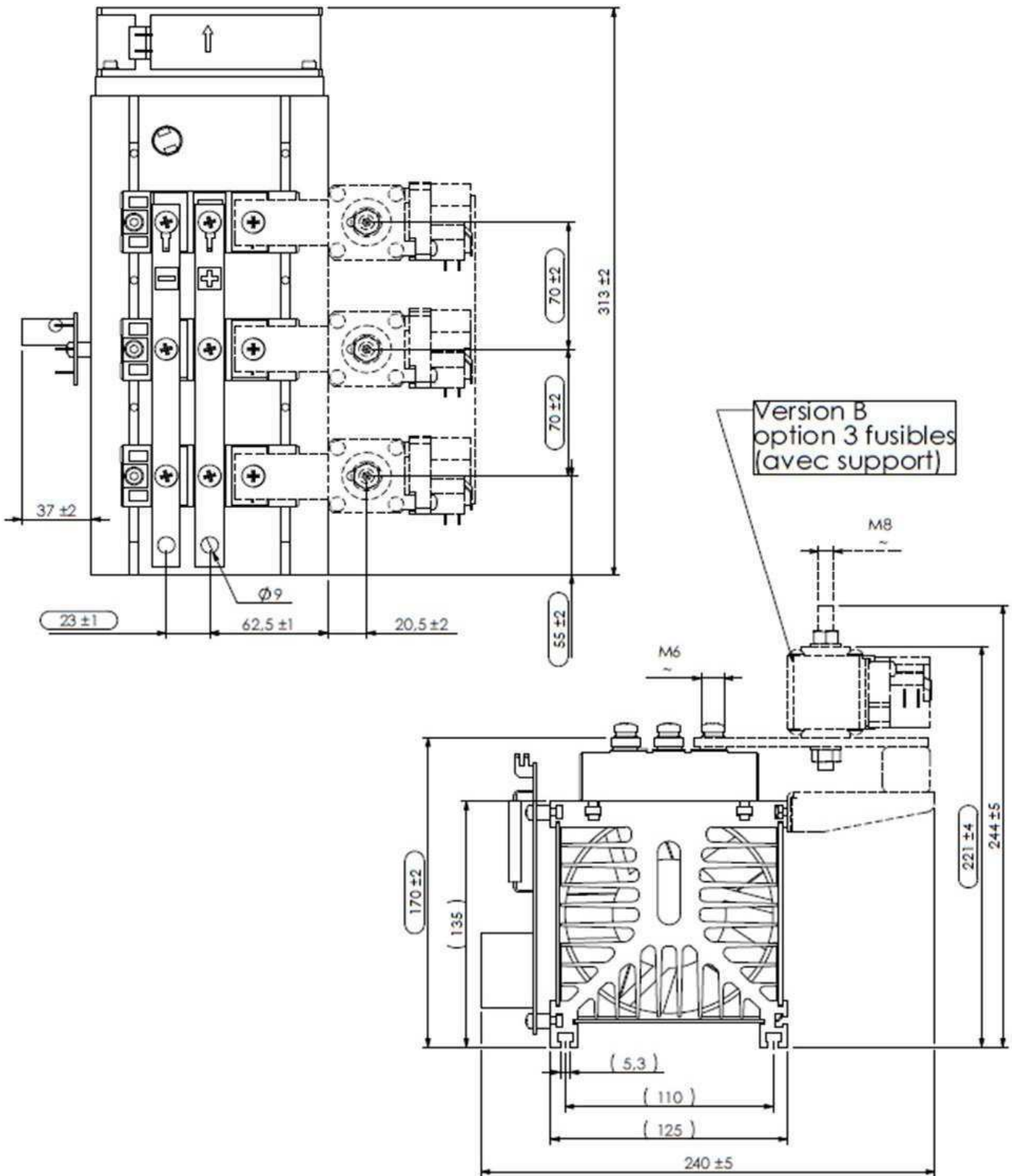
Typical Applications

- Power supplies
- Rectifier for AC/DC motor control

Remarks

This technical information specifies semiconductor devices but promises no characteristics. No warranty or guarantee, expressed or implied, is made regarding delivery, performance or suitability.





Dimensions

This technical information specifies semiconductor devices but promises no characteristics. No warranty or guarantee expressed or implied is made regarding delivery, performance or suitability.