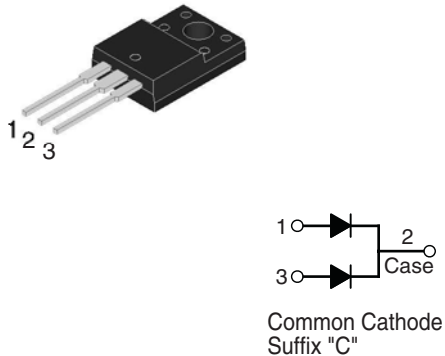


10 Amp. Glass Passivated Fast Recovery Rectifier

<p>ITO-220AB</p>  <p>Common Cathode Suffix "C"</p>	<p>Voltage 400 to 1000 V</p> <p>Current 10 A</p>
	<ul style="list-style-type: none"> • Glass Passivated Junction • High current capability • The plastic material U/L recognition 94 V-0 • Terminals: Leads solderable per MIL-STD202 • Low forward Voltage drop

Absolute Maximum Ratings, according to IEC publication No. 134

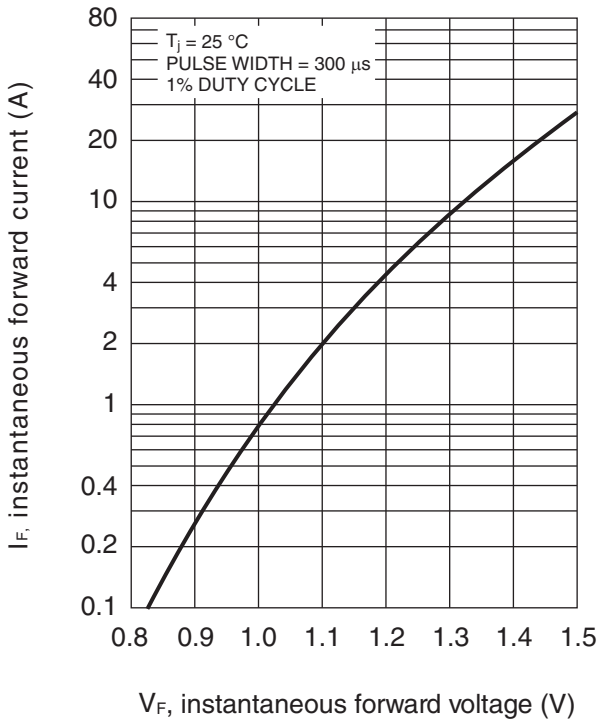
		FRF1004G	FRF1005G	FRF1007G
V_{RRM}	Peak recurrent reverse voltage (V)	400	600	1000
V_{RMS}	Maximum RMS voltage (V)	280	420	700
V_{DC}	Maximum DC blocking voltage (V)	400	600	1000
$I_{F(AV)}$	Maximum average Forward current at $T_C = 105\text{ }^\circ\text{C}$ (both diodes conducting)	10 A		
I_{FSM}	8.3 ms. peak forward surge current (Jedec Method)	125 A		
t_{rr}	Max. reverse recovery time from $I_F = 0.5\text{ A}$; $I_R = 1\text{ A}$; $I_{RR} = 0.25\text{ A}$	150 ns	250 ns	500 ns
C_j	Typical Junction Capacitance at 1 MHz and reverse voltage of $4V_{DC}$	40 pF		
T_j	Operating temperature range	- 65 to + 150 °C		
T_{stg}	Storage temperature range	- 65 to + 150 °C		

Electrical Characteristics

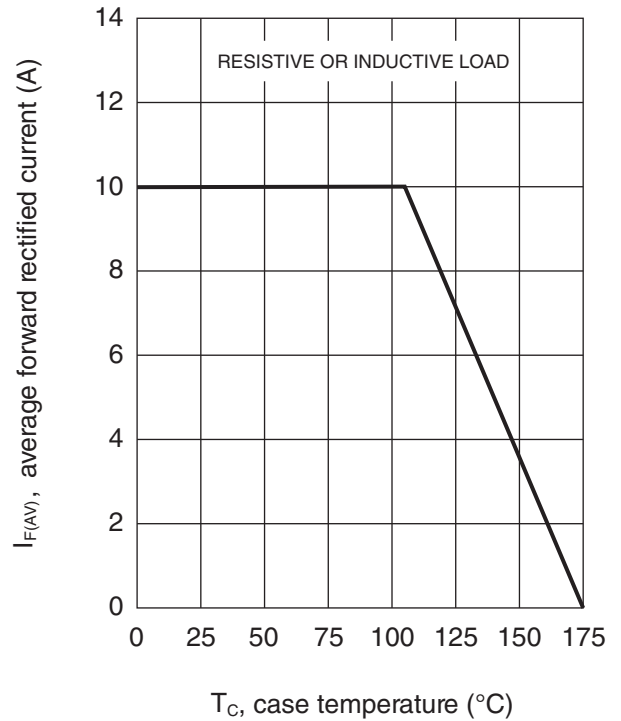
		FRF1004G	FRF1005G	FRF1007G
V_F	Max. forward voltage drop at $I_F = 5\text{ A}$ $T_j = 25\text{ }^\circ\text{C}$	1.3 V		
I_R	Max. Instantaneous reverse current at $V_R = V_{RRMax}$ $T_j = 25\text{ }^\circ\text{C}$	5 μA		
	$T_j = 125\text{ }^\circ\text{C}$	100 μA		
R_{thj-C}	Typical Thermal Resistance	5.0 °C/W		

10 Amp. Glass Passivated Fast Recovery Rectifier

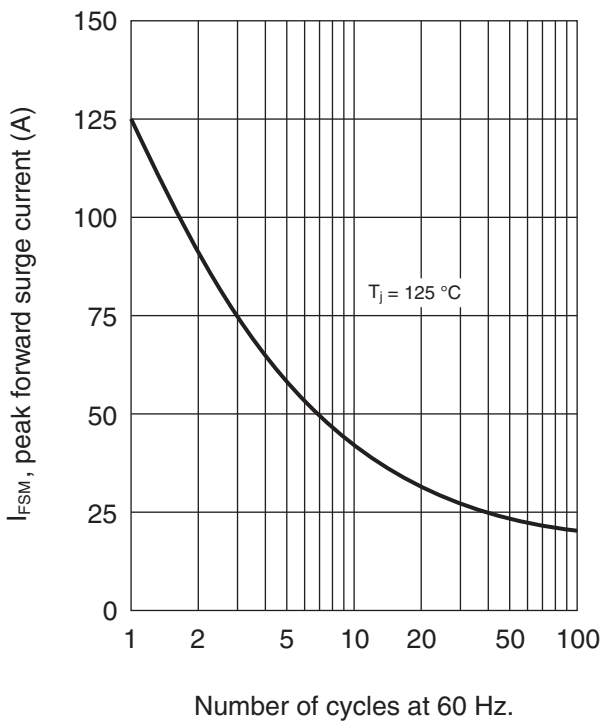
TYPICAL FORWARD CHARACTERISTIC



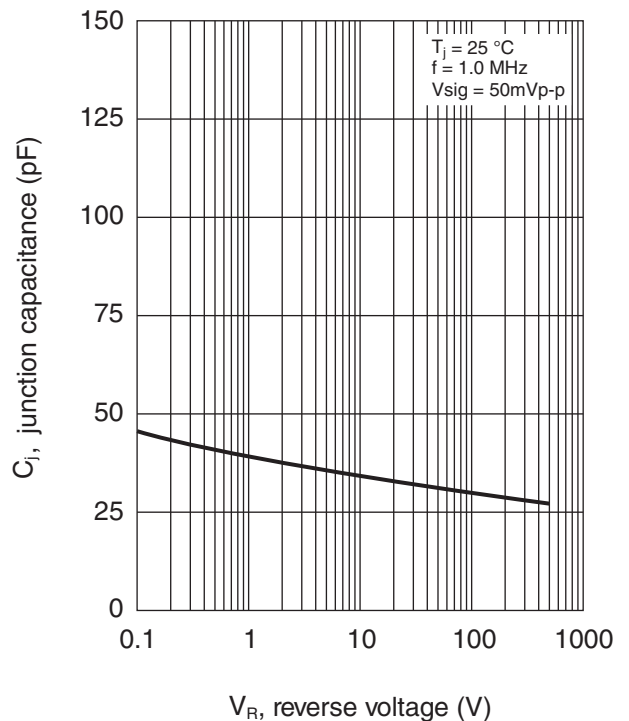
FORWARD CURRENT DERATING CURVE



MAXIMUM NON-REPETITIVE PEAK FORWARD SURGE CURRENT



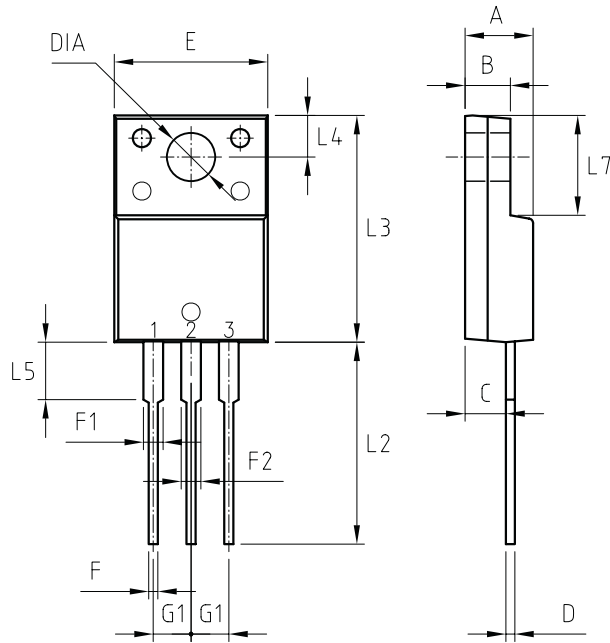
TYPICAL JUNCTION CAPACITANCE



10 Amp. Glass Passivated Fast Recovery Rectifier

PACKAGE MECHANICAL DATA

ITO-220AB



REF.	DIMENSIONS		
	Milimeters		
	Min.	Nominal	Max.
A	4.4	-	4.7
B	3.0	-	3.16
C	2.5	-	2.8
D	0.5	-	0.76
E	9.9	-	10.3
F	0.5	-	0.9
F1	1.1	-	1.4
F2	-	-	1.8
G1	2.4	2.55	2.7
L2	13.2	-	13.8
L3	14.8	-	15.5
L4	2.55	-	2.85
L5	3.7	-	4.1
L7	6.3	-	6.9
DIA	3.0	-	3.4