

FEATURES:

- 3-state outputs drive bus lines or buffer memory address registers
- RAD-PAK® radiation-hardened against natural space radiation
- Total dose hardness:
 - >100 krad (Si), depending upon space mission
- Package:
 - 20-pin RAD-PAK® flat package
- Operating temperature range:
 - 55 to 125°C
- P-N-P inputs reduce DC loading
- Typical V_{OLP} (output ground bounce)
 - < 0.8 V at $V_{CC}=3.3$ V, $T_A=25^\circ\text{C}$
- ESD protection exceeds 2000 V

DESCRIPTION:

Maxwell Technologies' 54BCT244 octal buffers and line drivers features a greater than 100 krad (Si) total dose tolerance; depending upon space mission. The 54BCT244 is organized as two 4-bit drivers with separate output enable (OE) inputs. When OE is low, the device passes data from the A inputs to the Y outputs. When OE is high, the outputs are in the high impedance state.

Maxwell Technologies' patented RAD-PAK® packaging technology incorporates radiation shielding in the microcircuit package. It eliminates the need for box shielding while providing the required radiation shielding for a lifetime in orbit or a space mission. In a GEO orbit, RAD-PAK provides true greater than 100 krad (Si) total radiation dose tolerance, dependent upon space mission. This product is available with packaging and screening up to Class S.

TABLE 1. PINOUT DESCRIPTION

PIN	SYMBOL	DESCRIPTION
1, 19	$\overline{1OE-2OE}$	Output Enables
2, 4, 6, 8	1A1-1A4	Input
3, 5, 7, 9	2Y4-2Y1	Output
10	GND	Ground
11, 13, 15, 17	2A1-2A4	Input
12, 14, 16, 18	1Y4-1Y1	Output
20	V_{CC}	Power Supply

TABLE 2. 54BCT244 ABSOLUTE MAXIMUM RATINGS ¹

PARAMETER	SYMBOL	MIN	MAX	UNIT
Supply Voltage Range	V_{CC}	-0.5	7.0	V
Input Voltage Range ²	V_I	-0.5	7.0	V
Voltage Range Applied to any Output in the Disable or Power-Off State ²	V_O	-0.5	5.5	V
Voltage Range Applied to any Output in High State ²	V_O	-0.5	V_{CC}	V
Current Into Any Output in the Low State	I_O	--	96	mA
Total Power Dissipation @ $T_A = +55^\circ\text{C}$ ³	P_D	--	651	mW
Operating Temperature Range	T_A	-55	125	$^\circ\text{C}$
Storage Temperature Range	T_S	-65	150	$^\circ\text{C}$

1. Stresses above the absolute maximum rating may cause permanent damage to the device. Extended operation at the maximum levels may degrade performance and affect reliability.
2. The input and output voltage ratings may be exceeded if the input and output current ratings are observed.
3. Must be able to withstand the additional P_D due to short circuit test, e.g. I_{DS} . The P_D number is based upon dc values.

TABLE 3. DELTA LIMITS

PARAMETER	VARIATION
$I_{CC(OP)}$	$\pm 10\%$ of specified value on Table 5
I_{OZH}	$\pm 10\%$ of specified value on Table 5
I_{OZL}	$\pm 10\%$ of specified value on Table 5

TABLE 4. 54BCT244 RECOMMENDED OPERATING CONDITIONS¹

PARAMETER	SYMBOL	MIN	MAX	UNIT
Supply Voltage	V_{CC}	4.5	5.5	V
High-Level Input Voltage	V_{IH}	2.0	--	V
Low-Level Input Voltage	V_{IL}	--	0.8	V
High-Level Output Current	I_{OH}	--	-12	mA
Low-Level Output Current	I_{OL}	--	48	mA
Input Clamp Current	I_{IK}	--	-18	mA
Thermal Impedance — Flat Package	Θ_{JC}	--	5.56	°C/W
Operating Temperature	T_A	-55	125	°C

1. All unused control inputs must be held high or low to ensure proper device operation.

TABLE 5. 54BCT244 DC ELECTRICAL CHARACTERISTICS

($V_{CC} = 5V \pm 10\%$, $T_A = -55\text{ }^{\circ}\text{C}$ TO $125\text{ }^{\circ}\text{C}$, UNLESS OTHERWISE SPECIFIED)

PARAMETER	SYMBOL	TEST CONDITIONS		MIN	MAX	UNIT
Input Clamp Voltage	V_{IK}	$V_{CC} = 4.5\text{ V}$	$I_I = -18\text{ mA}$	--	-1.2	V
High-Level Output Voltage	V_{OH}	$V_{CC} = 4.5\text{ V}$	$I_{OH} = -3\text{ mA}$	2.4	--	V
			$I_{OH} = -12\text{ mA}$	2	--	
Low-Level Output Voltage	V_{OL}	$V_{CC} = 4.5\text{ V}$	$I_{OL} = 48\text{ mA}$	--	0.55	V
Input Current	I_I	$V_{CC} = 5.5\text{ V}$	$V_I = 7\text{ V}$		0.1	mA
Off-State Output Current High-Level Voltage Applied	I_{OZH}	$V_{CC} = 5.5\text{ V}$	$V_I = 2.7\text{ V}$	--	50	μA
Off-State Output Current Low-Level Voltage Applied	I_{OZL}	$V_{CC} = 5.5\text{ V}$	$V_O = 0.5\text{ V}$	--	-50	μA
High Level Input Current	I_{IH1}	$V_{CC} = 5.5\text{ V}$	$V_I = 7\text{ V}$	--	0.1	mA
	I_{IH2}	$V_{CC} = 5.5\text{ V}$	$V_I = 2.7\text{ V}$	--	20	μA
Low Level Input Current	I_{IL}	$V_{CC} = 5.5\text{ V}$	$V_I = 0.5\text{ V}$	--	-1.0	mA
Short-circuit Output Current ¹	I_{OS}	$V_{CC} = 5.5\text{ V}$	$V_O = 0.0\text{ V}$	-100	-225	mA
Supply Current, Outputs High	I_{CCH}	$V_{CC} = 5.5\text{ V}$	Outputs Open	--	40	mA
Supply Current, Outputs Low	I_{CCL}	$V_{CC} = 5.5\text{ V}$	Outputs Open	--	80	mA
Supply Current, Outputs Disabled to High Impedance State	I_{CCZ}	$V_{CC} = 5.5\text{ V}$	Outputs Open	--	10	mA

1. Not more than one output should be shorted at one time and the duration of test shall not exceed one second.

TABLE 6. 54BCT244 AC ELECTRICAL CHARACTERISTICS

(V_{CC} = 5V ±10%, T_A = -55 °C TO 125 °C, UNLESS OTHERWISE SPECIFIED)

PARAMETER	SYMBOL	TEST CONDITIONS	MIN	MAX	UNIT
Propagation Delay Time An to Yn	t _{PLH}	V _{CC} = 4.5 to 5.5 V C _L = 50 pF R ₁ = 500 Ω R ₂ = 500 Ω	0.9	5.3	ns
	t _{PHL}	T _A = -55 to +125 °C	1.4	6	
	t _{PLH}	V _{CC} = 5.0 V C _L = 50 pF R ₁ = 500 Ω R ₂ = 500 Ω	1.2	4.4	
	t _{PHL}	T _A = +25 °C	1.7	5	
Output Enable Time OE to Yn	t _{PZH}	V _{CC} = 4.5 to 5.5 V C _L = 50 pF R ₁ = 500 Ω R ₂ = 500 Ω	2	9	ns
	t _{PZL}	T _A = -55 to +125 °C	2	9.4	
	t _{PZH}	V _{CC} = 5.0 V C _L = 50 pF R ₁ = 500 Ω R ₂ = 500 Ω	2	7.8	
	t _{PZL}	T _A = +25 °C	2	8.1	
Output Disable Time OE to Yn	t _{PHZ}	V _{CC} = 4.5 to 5.5 V C _L = 50 pF R ₁ = 500 Ω R ₂ = 500 Ω	2	8	ns
	t _{PLZ}	T _A = -55 to +125 °C	2	9.8	
	t _{PHZ}	V _{CC} = 5.0 V C _L = 50 pF R ₁ = 500 Ω R ₂ = 500 Ω	2	6.7	
	t _{PLZ}	T _A = +25 °C	2	7.6	

TABLE 7. FUNCTION TABLE

(EACH BUFFER)

INPUTS		OUTPUT
$\overline{\text{OE}}$	A	Y
I	H	H
L	L	L
H	X	Z

FIGURE 1. LOAD CIRCUIT FOR OUTPUTS

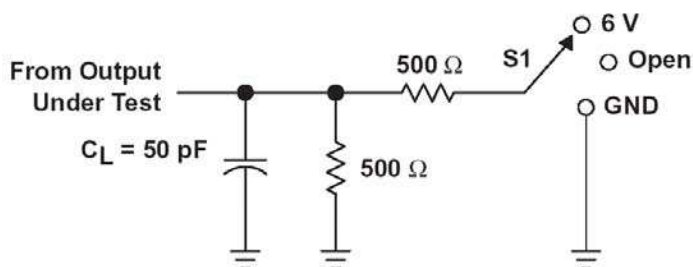


FIGURE NOTE:

1. C_L INCLUDES PROBE AND JOG CAPACITANCE

PARAMETER MEASUREMENT INFORMATION

TEST	S1
T_{PLH}/T_{PHL}	Open
T_{PLZ}/T_{PZL}	6V
T_{PHZ}/T_{PZH}	GND

FIGURE 2. VOLTAGE WAVEFORMS PULSE DURATION

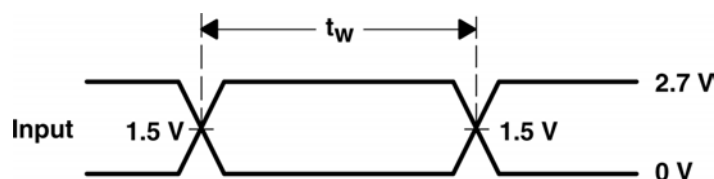


FIGURE 3. OUTPUT ENABLE TIMING

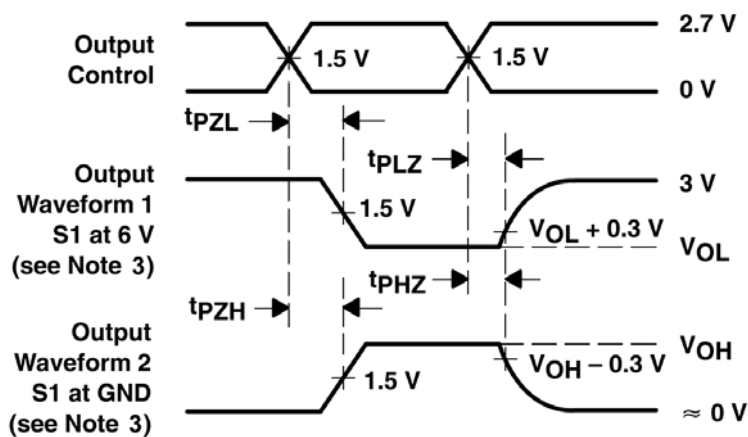


FIGURE 4. VOLTAGE SETUP AND HOLD TIMES

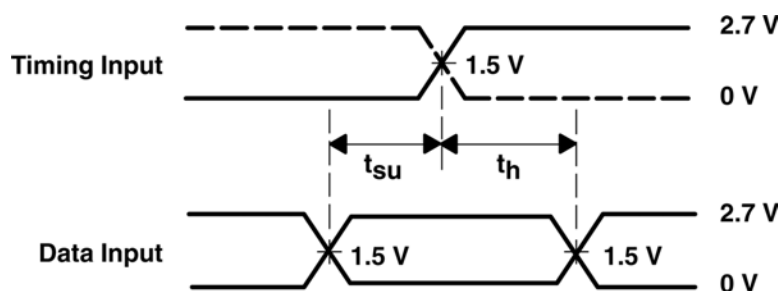


FIGURE 5. PROPAGATION DELAY TIMES INVERTING AND NON-INVERTING OUTPUTS

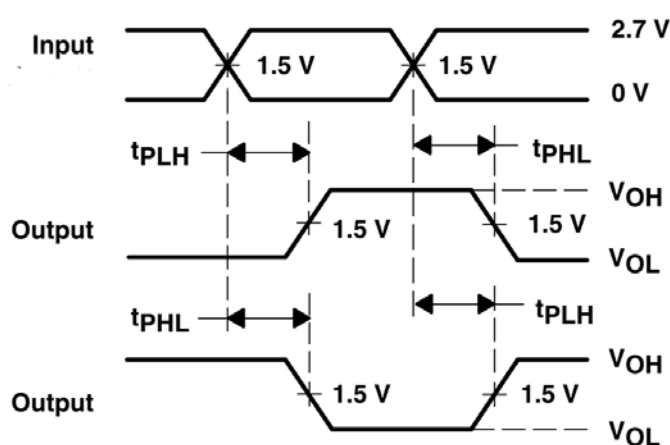
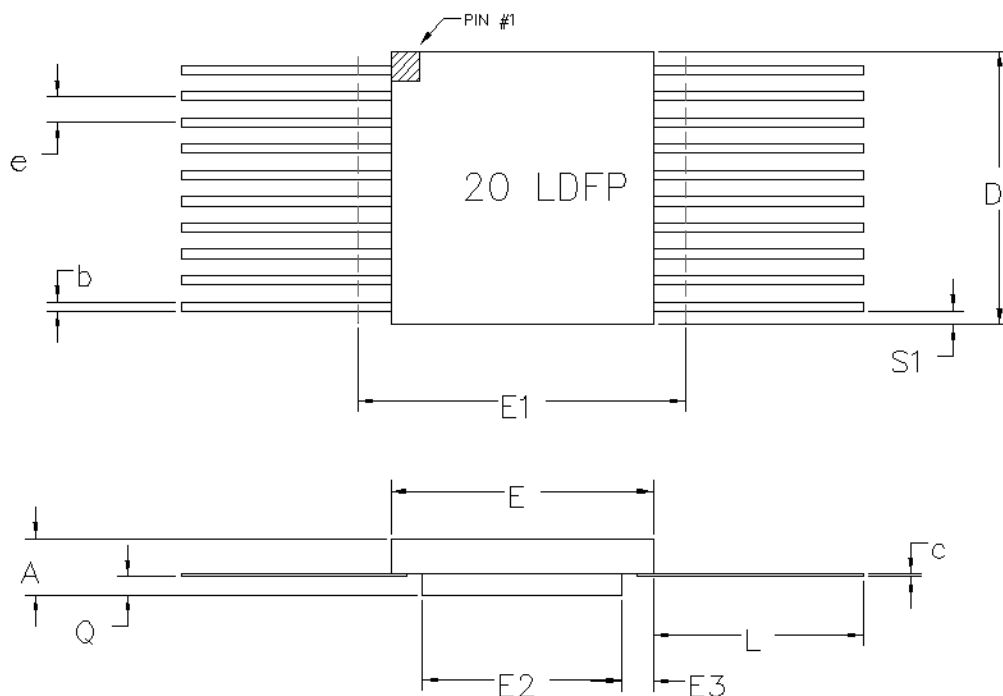


Figure Notes:

- All input pulses are supplied by generators having the following characteristics: $PRR \leq 10 \text{ MHz}$, $Z_o = 50\Omega$, $t_r \leq 2.5 \text{ ns}$, $t_f \leq 2.5 \text{ ns}$.
- Waveform 1 is for an output with internal conditions such that the output is low except when disabled by the output control.
Waveform 2 is for an output with internal conditions such that the output is high except when disabled by the output control.
- The outputs are measured one at a time with one transition per measurement.



20 PIN RAD-PAK® FLAT PACKAGE

SYMBOL	DIMENSION		
	MIN	NOM	MAX
A	0.128	0.141	0.154
b	0.015	0.017	0.022
c	0.003	0.005	0.009
D	0.470	0.480	0.490
E	0.287	0.295	0.303
E1	--	--	0.333
E2	0.155	0.160	--
E3	0.030	0.068	--
e	0.050BSC		
L	0.370	0.380	0.390
Q	0.035	0.039	0.042
S1	0.005	0.007	--
N	20		

F20-01

Note: All dimensions in inches

Important Notice:

These data sheets are created using the chip manufacturer's published specifications. Maxwell Technologies verifies functionality by testing key parameters either by 100% testing, sample testing or characterization.

The specifications presented within these data sheets represent the latest and most accurate information available to date. However, these specifications are subject to change without notice and Maxwell Technologies assumes no responsibility for the use of this information.

Maxwell Technologies' products are not authorized for use as critical components in life support devices or systems without express written approval from Maxwell Technologies.

Any claim against Maxwell Technologies must be made within 90 days from the date of shipment from Maxwell Technologies. Maxwell Technologies' liability shall be limited to replacement of defective parts.

