

Logic Diagram

### FEATURES:

- 14-bit resolution and accuracy
- Total dose hardness:
  - > 100 krad (Si), depending upon space mission
- Single event effects:
  - SEL > 104 MeV/mg/cm<sup>2</sup>
  - SEU<sub>TH</sub> = 1.4 MeV/mg/cm<sup>2</sup>
  - SEU<sub>Sat</sub> = 1E-3 cm<sup>2</sup>/Device
- Package:
  - 16 pin RAD-PAK® flat package
  - 16 pin RAD-PAK® dual-in-line package
- Fast Conversion Times: 10 μs
- Low 50 mW typical power consumption
- High speed LC<sup>2</sup>MOS technology
  - Analog input range of ±3V
  - 83 KSPS throughput rate
  - Operates with +5V/-5V power supplies
  - 80 dB SNR at 10 kHz input frequency
  - 2 s complement coding
  - Serial output

### DESCRIPTION:

Maxwell Technologies' 7872A high-speed 14-bit ADC microcircuit features a greater than 100 krad (Si) total dose tolerance; depending upon orbit. The 7872A consists of a track/hold amplifier, successive-approximation ADC, 3V buried Zener reference and versatile interface logic. It features a self-contained, laser-trimmed internal clock, so no external clock timing components are required. For minimum noise possible, the on-chip clock may be overridden to synchronize the device operation to the digital system. The 7872A is a serial output device. It is capable of interfacing to all modern microprocessors and digital signal processors. The 7872A operates from ±5V power supplies, accepts bipolar input signals of ±3V and is able to convert full power signals up to 41.5 kHz. It is also fully specified for dynamic performance parameters including distortion and signal-to-noise ratio.

Maxwell Technologies' patented RAD-PAK® packaging technology incorporates radiation shielding in the microcircuit package. It eliminates the need for box shielding while providing the required radiation shielding for a lifetime in orbit or space mission. In a GEO orbit, RAD-PAK provides greater than 100 krad (Si) radiation dose tolerance. This product is available with screening up to Class S.

TABLE 1. 7872A P<sub>IN</sub> DESCRIPTION

P <sub>IN</sub>	SIGNAL	DESCRIPTION
1	CONTROL	Control Function
2	$\overline{\text{CONVST}}$	Convert Start
3	CLK	Clock Input
4	$\overline{\text{SSTRB}}$	Serial Strobe
5	SCLK	Serial Clock
6	SDATA	Serial Data
7	NC	Non Connect
8	DGND	Digital Ground
9	V <sub>DD</sub>	Positive Supply
10	NC	No Connect
11	C <sub>REF</sub>	Reference Capacitor
12	AGND	Analog Ground
13	REF <sub>OUT</sub>	Voltage Reference Output
14	V <sub>IN</sub>	Analog Input
15	V <sub>SS</sub>	Negative Supply
16	V <sub>DD</sub>	Positive Supply

TABLE 2. 7872A ABSOLUTE MAXIMUM RATINGS

PARAMETER	SYMBOL	MIN	MAX	UNIT
Positive Supply Voltage; Relative to GND	V <sub>DD</sub>	-0.3	7.0	V
Negative Supply Voltage; Relative to GND	V <sub>SS</sub>	0.3	7.0	V
AGND to DGND; Relative to GND	--	-0.3	V <sub>DD</sub> +0.3	V
REF <sub>OUT</sub> , C <sub>REF</sub> to AGND	--	0	V <sub>DD</sub>	V
V <sub>IN</sub> to AGND	--	V <sub>SS</sub> -0.3	V <sub>DD</sub> +0.3	V
Digital Input Voltage	V <sub>IN</sub>	-0.3	V <sub>DD</sub> +0.3	V
Digital Output Voltage	V <sub>OUT</sub>	-0.3	V <sub>DD</sub> +0.3	V
Thermal Impedance	Θ <sub>JC</sub>	--	2.44	°C/W
Storage Temperature Range	T <sub>S</sub>	-65	150	°C
Operating Temperature Range	T <sub>A</sub>	-55	125	°C

TABLE 3. 7872A DC ELECTRICAL CHARACTERISTICS FOR DYNAMIC PERFORMANCE <sup>1</sup>

( $V_{DD} = 5V \pm 5\%$ ,  $V_{SS} = -5V \pm 5\%$ ,  $AGND = DGND = 0V$ ,  $f_{CLK} = 2\text{ MHz EXTERNAL}$ ,  $f_{SAMPLE} = 83\text{ kHz}$ ,  $-55\text{ TO }125\text{ }^\circ\text{C}$  UNLESS OTHERWISE SPECIFIED)

PARAMETER	SYMBOL	MIN	TYP	MAX	UNIT
Signal to Noise Ratio $V_{IN} = 10\text{kHz Sine Wave}$ , $T_{MIN}$ to $T_{MAX}$ ; SNR is typically 82dB for $V_{IN} < 41.5\text{kHz}$ <sup>2</sup>	SNR	79	--	--	dB
Total Harmonic Distortion $V_{IN} = 10\text{kHz Sine Wave}$	THD	--	-86	--	dB
Peak Harmonic or Spurious Noise	--	--	-86	--	dB
Intermodulation Distortion Second Order Terms: $f_a = 9\text{ kHz}$ , $f_b = 9.5\text{ kHz}$ , $f_{SAMPLE} = 50\text{ kHz}$ Third Order Terms: $f_a = 9\text{ kHz}$ , $f_b = 9.5\text{ kHz}$ , $f_{SAMPLE} = 50\text{ kHz}$	IMD	--	-86	--	dB
Track/Hold Acquisition Time	--	--	--	2	$\mu\text{s}$

1.  $V_{IN} = \pm 3V$ . Guaranteed by design.
2. SNR calculation includes distortion and noise components.

TABLE 4. 7872A DC ELECTRICAL CHARACTERISTICS FOR ACCURACY

( $V_{DD} = 5V \pm 5\%$ ,  $V_{SS} = -5V \pm 5\%$ ,  $T_A = -55\text{ TO }125\text{ }^\circ\text{C}$  UNLESS OTHERWISE SPECIFIED)

PARAMETER	SYMBOL	MIN	TYP	MAX	UNIT
Resolution	--	14	--	--	Bits
Resolution for Which No Missing Codes are Guaranteed	--	14	--	--	Bits
Integral Nonlinearity @ 25 °C	--	--	$\pm 1$	--	LSB
Integral Nonlinearity $T_{MIN}$ to $T_{MAX}$	--	--	--	$\pm 2$	LSB
Bipolar Zero Error	--	--	--	$\pm 12$	LSB
Positive Gain Error <sup>1</sup>	--	--	--	$\pm 12$	LSB
Negative Gain Error <sup>1</sup>	--	--	--	$\pm 12$	LSB

1. Measured with respect to internal reference.

TABLE 5. 7872A DC ELECTRICAL CHARACTERISTICS FOR ANALOG INPUT

( $V_{DD} = 5V \pm 5\%$ ,  $V_{SS} = -5V \pm 5\%$ ,  $T_A = -55\text{ TO }125\text{ }^\circ\text{C}$  UNLESS OTHERWISE SPECIFIED)

PARAMETER	SYMBOL	MIN	MAX	UNITS
Input Voltage Range	--	-3	3	V
Input Current	--	-500	500	$\mu\text{A}$

TABLE 6. 7872A DC ELECTRICAL CHARACTERISTICS FOR REFERENCE OUTPUT

 $(V_{DD} = 5V \pm 5\%, V_{SS} = -5V \pm 5\%, T_A = -55 \text{ TO } 125 \text{ } ^\circ\text{C}$  UNLESS OTHERWISE SPECIFIED)

PARAMETER	SYMBOL	MIN	MAX	UNIT
REF <sub>OUT</sub> @ +25 °C	--	2.99	3.01	V
REF <sub>OUT</sub> T <sub>MIN</sub> to T <sub>MAX</sub>	--	2.98	3.02	V
REF <sub>OUT</sub> Tempco: Typically 35ppm	--	--	±40	ppm/°C
Reference Load Sensitivity (DREF <sub>OUT</sub> /DI) Reference Load Current Change (0-300 µA); Reference Load Should Not Be Changed During Conversion	--	--	1.2	mV

TABLE 7. 7872A DC ELECTRICAL CHARACTERISTICS FOR LOGIC INPUTS

 $(V_{DD} = 5V \pm 5\%, V_{SS} = -5V \pm 5\%, T_A = -55 \text{ TO } 125 \text{ } ^\circ\text{C}$  UNLESS OTHERWISE SPECIFIED)

PARAMETER	SYMBOL	MIN	MAX	UNIT
Input High Voltage: V <sub>DD</sub> 5 V ± 5%	V <sub>INH</sub>	2.4	--	V
Input Low Voltage: V <sub>DD</sub> 5 V ± 5%	V <sub>INL</sub>	--	0.8	V
Input Current: V <sub>IN</sub> = 0 V to V <sub>DD</sub>	I <sub>IN</sub>	-10	10	µA
Input Current: (14/8/CLK input only) VIN = VSS to VDD	--	-10	10	µA
Input Capacitance <sup>1</sup>	C <sub>IN</sub>	--	10	pF

1. Not tested.

TABLE 8. 7872A DC ELECTRICAL CHARACTERISTICS FOR LOGIC OUTPUTS

 $(V_{DD} = 5V \pm 5\%, V_{SS} = -5V \pm 5\%, T_A = -55 \text{ TO } 125 \text{ } ^\circ\text{C}$  UNLESS OTHERWISE SPECIFIED)

PARAMETER	SYMBOL	MIN	MAX	UNIT
Output High Voltage I <sub>SOURCE</sub> = 40 µA	V <sub>OH</sub>	4.0	--	V
Output Low Voltage I <sub>SINK</sub> = 1.6 mA	V <sub>OL</sub>	--	0.4	V
Floating-State Leakage Current	--	--	10	µA
Floating-State Output Capacitance <sup>1</sup>	--	--	15	pF

1. Not tested.

TABLE 9. 7872A DC ELECTRICAL CHARACTERISTICS FOR CONVERSION TIME

 $(V_{DD} = 5V \pm 5\%, V_{SS} = -5V \pm 5\%, T_A = -55 \text{ TO } 125 \text{ } ^\circ\text{C}$  UNLESS OTHERWISE SPECIFIED)

PARAMETER	SYMBOL	MIN	MAX	UNIT
External Clock	--	--	10	µs
Internal Clock: Nominal Value = 2 MHz	--	--	11	µs

TABLE 10. 7872A DC ELECTRICAL CHARACTERISTICS FOR POWER REQUIREMENTS  
( $V_{DD} = 5V \pm 5\%$ ,  $V_{SS} = -5V \pm 5\%$ ,  $T_A = -55$  TO  $125^\circ\text{C}$  UNLESS OTHERWISE SPECIFIED)

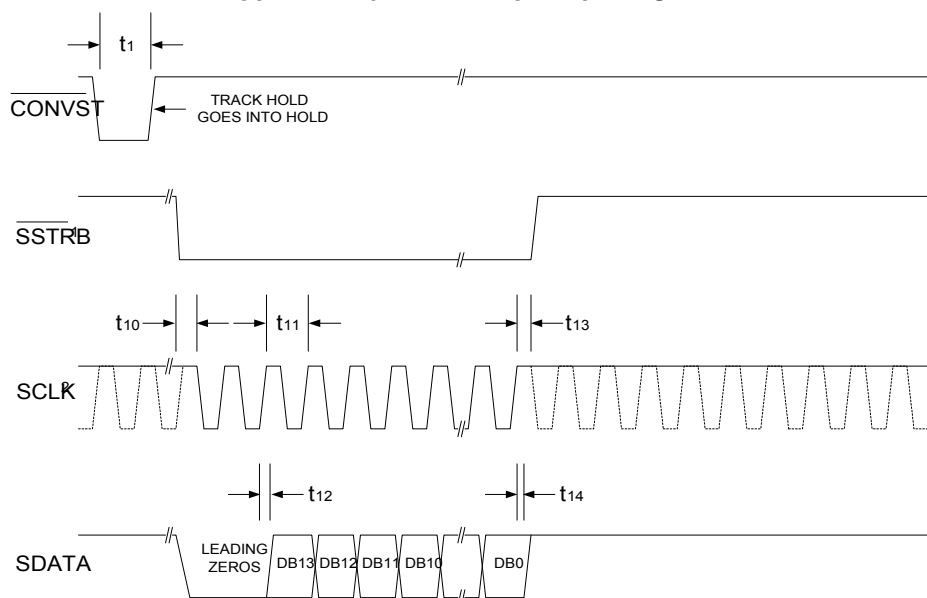
PARAMETER	SYMBOL	CONDITIONS	REQUIREMENTS	UNITS
Positive Supply Voltage	$V_{DD}$	5% for Specified Performance	5	V
Negative Supply Voltage	$V_{SS}$	5% for Specified Performance	-5	V
Positive Supply Current	$I_{DD}$	Typically 6mA	13	mA max
Negative Supply Current	$I_{SS}$	Typically 4mA	6	mA max
Power Dissipation	$P_D$	Typically 50mW	95	mW max

TABLE 11. 7872A TIMING CHARACTERISTICS 1,2  
( $V_{DD} = 5V \pm 5\%$ ,  $V_{SS} = -5V \pm 5\%$ ,  $T_A = -55$  TO  $125^\circ\text{C}$  UNLESS OTHERWISE SPECIFIED)

PARAMETER/CONDITION	SYMBOL	MIN	MAX	UNITS
$\overline{\text{CONVST}}$ Pulse Width	$t_1$	50	--	ns
$\overline{\text{SSTRB}}$ to SCLK Falling Edge Setup Time	$t_{10}$	100	--	ns
SCLK Cycle Time <sup>3</sup>	$t_{11}$	440	--	ns
SCLK to Valid Data Delay: $C_L = 35$ pF <sup>4</sup>	$t_{12}$	--	155	ns
SCLD Rising Edge to $\overline{\text{SSTRB}}$	$t_{13}$	20	150	ns
Bus Relinquish Time After SCLK	$t_{14}$	4	100	ns

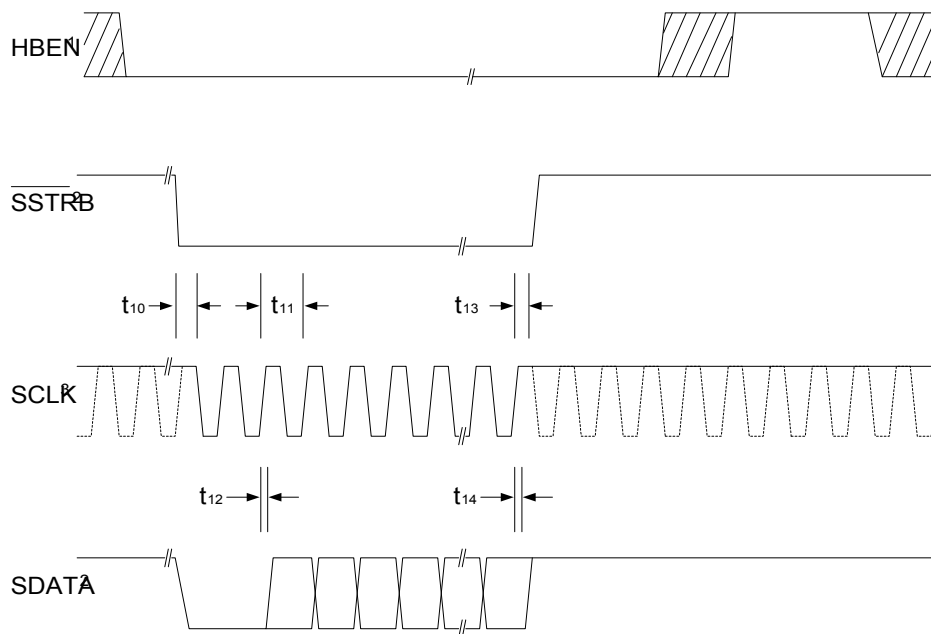
- All input signals are specified with  $t_r = t_f = 5$  ns (10% to 90% of 5 V) and timed from a voltage level of 1.6 V.
- Serial timing is measured with a 4.7 k $\Omega$  pull-up resistor on SDATA and  $\overline{\text{SSTRB}}$  and a 2 k $\Omega$  pull-up resistor on SCLK. The capacitance on all three outputs is 35 pF.
- SCLK mark/space ration (measured from a voltage level of 1.6 V) is 40/60 to 60/40.
- SDATA will drive higher capacitive loads, but this will add to  $t_{12}$  since it increases the external RC time constant ( $4.7\text{k}\Omega/C_L$ ) and hence, the time to reach 2.4 V.

FIGURE 1. MODE 1 TIMING DIAGRAM SERIAL



1. External 4.7 k $\Omega$  pull-up resistor.
2. External 2 k $\Omega$  pull-up resistor continuous SCLK (DASHED LINE) when 14/8/CLK (CONTROL) = -5 V; noncontinuous when 14/8/CLK (CONTROL) = 0 V.

FIGURE 2. MODE 2 TIMING DIAGRAM, SERIAL READ



1. Times t15, t18, t19 and t20 are the same for a high byte read as for a low byte read.
2. External 4.7 k $\Omega$  pull-up resistor.
3. Continuous SCLK (DASHED LINE) when 14/8/CLK (CONTROL) = -5 V; noncontinuous when 14/8/CLK (CONTROL) = 0 V. External 2 k $\Omega$  pull-up resistor.

FIGURE 3. LOAD CIRCUIT FOR ACCESS TIME

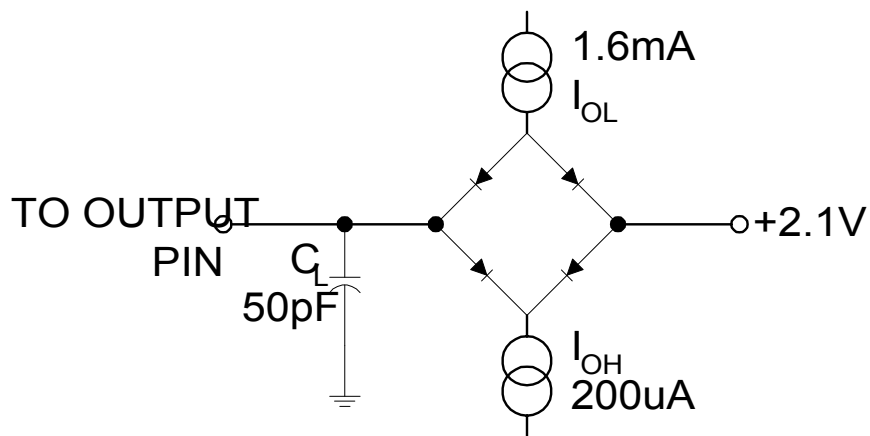
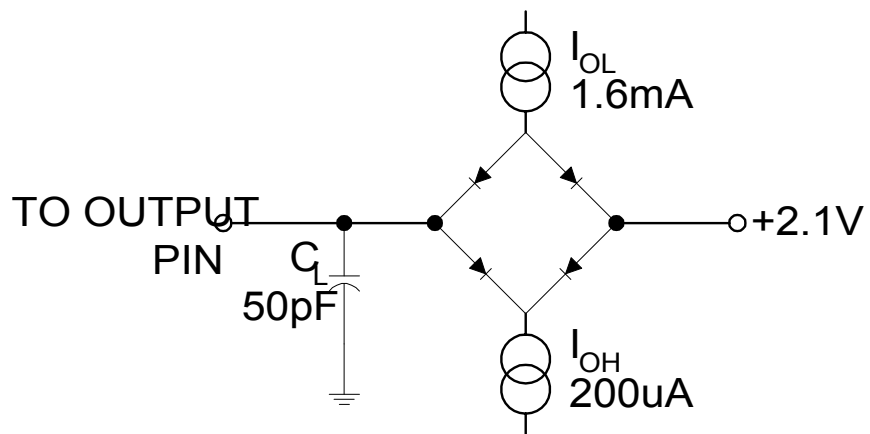
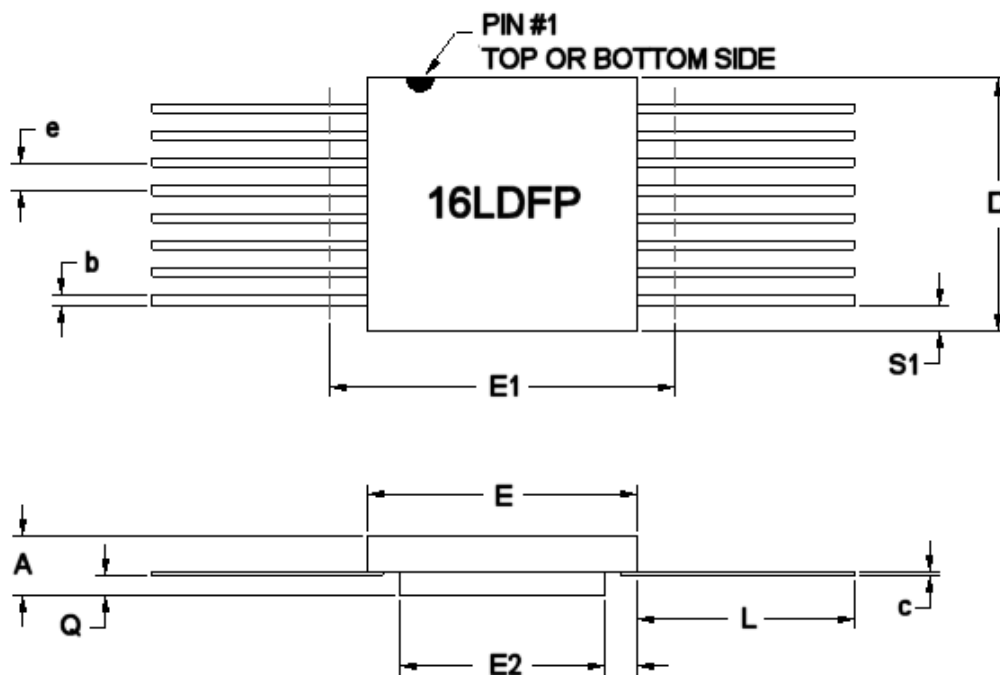


FIGURE 4. LOAD CIRCUIT FOR OUTPUT FLOAT DELAY

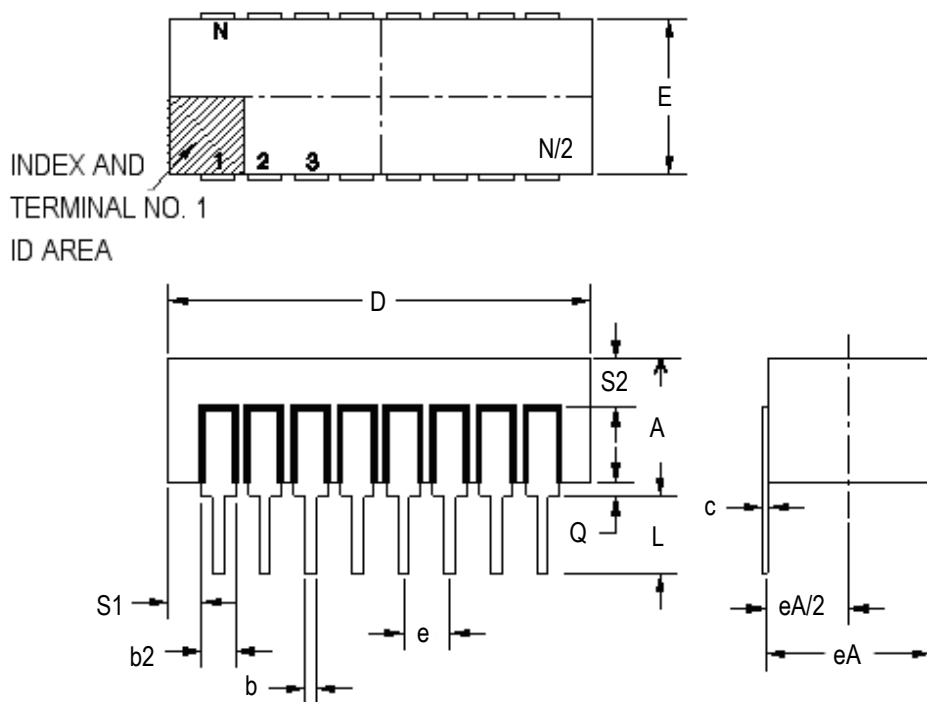




16 PIN RAD-PAK® FLAT PACKAGE

SYMBOL	DIMENSION		
	MIN	NOM	MAX
A	0.116	0.130	0.143
b	0.015	0.017	0.022
c	0.004	0.005	0.009
D	--	0.415	0.440
E	0.245	0.280	0.285
E1	--	--	0.315
E2	0.130	0.156	--
E3	0.030	0.062	--
e	0.050 BSC		
L	0.325	0.335	0.345
Q	0.020	0.033	0.045
S1	0.005	0.024	--
N	16		

Note: All dimensions in inches



16 PIN RAD-PAK® DUAL IN LINE PACKAGE

SYMBOL	DIMENSION		
	MIN	NOM	MAX
A	--	0.157	0.200
b	0.014	0.018	0.026
b2	0.045	0.047	0.065
c	0.008	0.010	0.018
D	--	0.800	0.840
E	0.220	0.295	0.310
eA	0.300 BSC		
eA/2	0.150 BSC		
e	0.100 BSC		
L	0.135	0.145	0.155
Q	0.000	0.002	0.060
S1	0.005	0.027	--
S2	0.005	--	--
N	16		

Note: All dimensions in inches

## Important Notice:

These data sheets are created using the chip manufacturer's published specifications. Maxwell Technologies verifies functionality by testing key parameters either by 100% testing, sample testing or characterization.

The specifications presented within these data sheets represent the latest and most accurate information available to date. However, these specifications are subject to change without notice and Maxwell Technologies assumes no responsibility for the use of this information.

Maxwell Technologies' products are not authorized for use as critical components in life support devices or systems without express written approval from Maxwell Technologies.

Any claim against Maxwell Technologies must be made within 90 days from the date of shipment from Maxwell Technologies. Maxwell Technologies' liability shall be limited to replacement of defective parts.

## Product Ordering Options

