

1D-Inclination Sensor with Voltage Interface

ISYA 45 P05 / ISYA 60 P05

Characteristics:

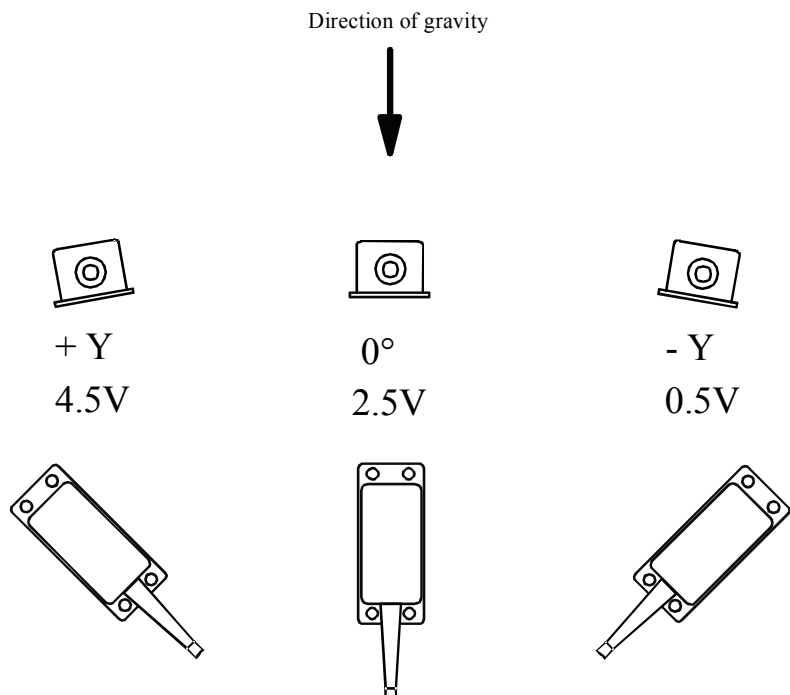
- 1- dimensional inclination sensor with measurement range: $\pm 45^\circ$ / $\pm 60^\circ$
- 0.05° / 0.06° resolution
- 0.5 V ... 4.5 V voltage interface
- Small robust, simply mountable ABS-housing
- Suitable for industrial use:
 - Temperature range: -40 °C ... +80 °C
 - Degree of protection: IP65/67



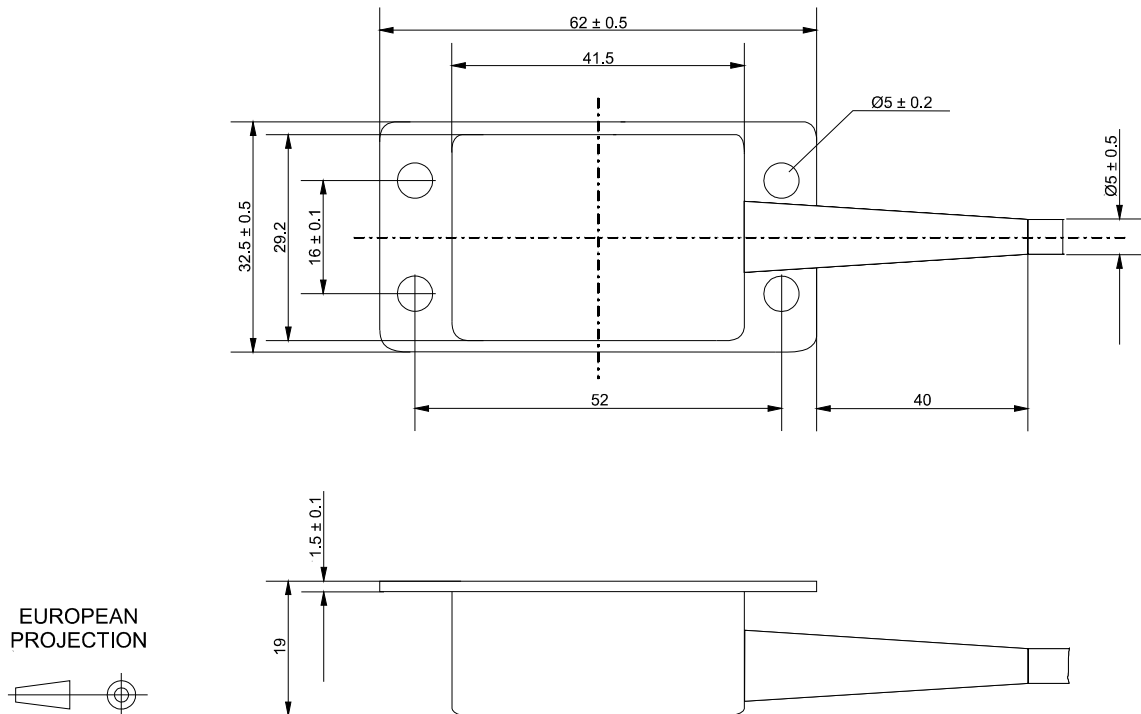
The inclination sensor ISYA 45 P05 / ISYA 60 P05 enables the one-channel measurement of inclination in the angle range of $\pm 45^\circ$ / $\pm 60^\circ$. The full-scale readings are calibrated factory-made at 25 °C. The compact and robust design makes the sensor a suitable angle measurement device in rough surroundings for different applications in industry and mobile technology.

Applications:

- Agricultural and forestry machines
- Solar tracking systems
- Utility vehicles
- Crane and hoisting technology
- Industrial automation



Dimensions Drawing:



Dimensions in mm

Plug Connector Allocation:

Pin	Allocation
1	GND-Supply (V- /GND)
2	Supply voltage (V+)
3	Sensor signal

Ordering Information:

Product	Description	Cable / Connector	Article Number
ISYA 45 P05	1-dimensional, $\pm 45^\circ$, 0.5 V ... 4.5 V	1.00 m, Superseal connector 3 -pole	PR-24112-10
ISYA 45 P05	1-dimensional, $\pm 45^\circ$, 0.5 V ... 4.5 V	0.30 m, Superseal connector 3 -pole	PR-24112-20
ISYA 60 P05	1-dimensional, $\pm 60^\circ$, 0.5 V ... 4.5 V	1.00 m, Superseal connector 3 -pole	PR-24113-00