



GEMAC

Sensorik. Messtechnik. ASIC-Design.

User manual

Inclination Sensors with Current and Voltage Interface

Version: 1.2

Date: 2012-05-31



GEMAC - Gesellschaft für
Mikroelektronikanwendung Chemnitz mbH
Zwickauer Straße 227
09116 Chemnitz
Germany

Phone: +49 371 3377 - 0
Fax: +49 371 3377 - 272
E-mail: info@gemac-chemnitz.de
Web: www.gemac-chemnitz.de

Revision History

Date	Revision	Changes
2010-09-14	0	preliminary
2011-07-01	1	first version
2012-05-31	2	various changes, critical damped digital filter added

© Copyright 2012 GEMAC - Gesellschaft für Mikroelektronikanwendung Chemnitz mbH

This document is subject to change without notice.

We constantly work to further develop of our products. We reserve any changes of the scope of delivery in shape, equipment and technology for ourselves. No claims can be made from the details, illustrations and descriptions in this document.

Any kind of duplication, reprocessing and translation of this document as well as excerpts from it require the written permission of GEMAC mbH.

All rights according to the copyright remain explicitly reserved for GEMAC mbH.

Table of Contents

1 Overview.....	1
1.1 Characteristics.....	1
1.2 Applications.....	1
2 Technical Data.....	2
3 Mounting.....	4
3.1 Position of Drilling Holes.....	4
3.2 Definition of the Axes.....	4
4 Connection.....	5
4.1 Connector Pin Out.....	5
4.2 Connection diagram.....	5
4.3 Cable length and minimum supply voltage for current interface.....	6
5 Functional description.....	7
5.1 Axis assignment / Axis direction.....	7
5.2 Zero Point Adjustment.....	7
5.3 Digital Filter.....	7
5.4 Status LED.....	8
6 Sensor configuration.....	9
6.1 Inclination sensor programming adapter.....	9
6.2 PC software ISDControl.....	10
6.2.1 Configuration of all values.....	10
6.2.2 3D imaging and display of the current angle.....	11
6.2.3 Oscilloscope display of the current angle.....	12
7 Ordering Information.....	13

List of Tables

Table 1: Technical Data.....	2
Table 2: Electromagnetic Compatibility (EMC).....	3
Table 3: Cable length at minimum supply voltage and different wires sizes.....	6
Table 4: Filter selection.....	7
Table 5: Status and Error Display through Status LED.....	8
Table 6: Ordering Information.....	13

List of Figures

Figure 1: Dimensioned Sketch of plastic housing.....	4
Figure 2: Definition of the Axes (factory default settings).....	4
Figure 3: Connector Pin Out.....	5
Figure 4: Connection diagram: current interface.....	5
Figure 5: Connection diagram: voltage interface.....	5
Figure 6: Cable length at current interface.....	6
Figure 7: Impulse and amplitude response of the two filters.....	7
Figure 8: Starter kit.....	9
Figure 9: Numerical configuration of the inclination sensor.....	10
Figure 10: Graphical configuration of the outputs A and B.....	11
Figure 11: 3D imaging and display of the current angle.....	11
Figure 12: Oscilloscope display of the current angle.....	12

1 Overview

1.1 Characteristics

- Inclination sensors with measurement range: $360^\circ / \pm 90^\circ$ (X/Y)
- Linearized output, high accuracy (0.06°)
- Compensated cross sensitivity
- Programmable vibration suppression
- Freely programmable current or voltage interface
- Robust, UV resistant, impact strength plastic housing
- Suitable for industrial use:
 - Temperature range: -40°C to $+80^\circ\text{C}$
 - Degree of protection: IP65/67

The 1-dimensional inclination sensors IS1D 00 P24 and IS1D 00 P25 are suitable to measure the inclination in the measurement range of 360° , the 2-dimensional inclination sensors IS2D 90 P24 and IS2D 90 P25 is suitable to measure the inclination in 2 dimensions (X/Y) of $\pm 90^\circ$. To ensure a high accuracy, the sensors are calibrated at the factory.

The compact and robust design makes the sensor a suitable angle measurement device in rough surroundings for different applications in industry and vehicle technology.

1.2 Applications

- Solar thermal and photo-voltaic systems
- Agricultural and forestry machinery
- Construction machinery
- Crane and hoisting technology

2 Technical Data

General Parameters ¹			
Measurement range	360°, ±90°		
Resolution	0.01°		
Accuracy (Type: IS1D 00 P24/25)	Range 0...360°	typical ±0.04°	maximum ±0.12°
Accuracy (Type: IS2D 90 P24/25)	Range up to ±60° up to ±70° up to ±80° up to ±85°	typical ±0.02° ±0.04° ±0.08° ±0.16°	maximum ±0.06° ±0.12° ±0.24° ±0.48°
Cross Sensitivity ² (compensated)	typ. ±0.10 %, max. ±0.50 %		
Temperature coefficient (zero point)	Current interface:	typ. +0,0088 °/K, -0,0102 °/K	
	Voltage interface:	typ. ±0,0083 °/K	
Sampling rate	100 Hz		
Cut-off frequency	typ. 20 Hz, 2 nd order (without digital filter) / 0.1 ... 25 Hz, 8 th order (with digital filter)		
Operating temperature	-40 °C to +80 °C		
Characteristics			
Current interface	freely adjustable output in the range 0...20.48 mA (factory default: 4...20 mA) freely adjustable angle in the range 0...360° / ±90°		
Voltage interface	freely adjustable output in the range -10.48...10.48 V (factory default: 0...10 V) freely adjustable angle in the range 0...360° / ±90°		
Funktionen	Teach input for zero point adjustment when installed Limit value , Axis direction and assignment of the outputs are adjustable Digital filter (Butterworth lowpass, 8th order)		
Electrical Parameters			
Supply voltage	Current interface:	17 to 35 VDC	
	Voltage interface:	10 to 35 VDC	
Current consumption	Current interface:	45 mA @ 24 V + I _{loop}	
	Voltage interface:	45 mA @ 24 V	
Outputs (short-circuit proof)	Current interface:	inductive load less than 1 H, load 500 Ω (default)	
	Voltage interface:	capacitive load less than 1,2 µF, resistive load greater than 2 kΩ	
Mechanical Parameters			
Connection	Sensor connector 5-pole M12		
Degree of protection	IP65/67		
Dimensions / Weight	66 mm x 90 mm x 36 mm / about 200 g		
CE conformity to EC Directive 2006/42/EC			
EC Directives			
RL 2004/108/EC	EMC Directive		
RL 2006/95/EC	Low Voltage Directive (LVD)		
Harmonized standards			
DIN EN 50498:2010	Electromagnetic compatibility (EMC) - Product family standard for aftermarket electronic equipment in vehicles		
EN 60950-1:2006/A1:2010	Information technology equipment. Safety. General requirements		
EN ISO 14982:2009	Agricultural and forestry machinery. Electromagnetic compatibility. Test methods and acceptance criteria		
DIN EN 13309:2010	Construction machinery - Electromagnetic compatibility of machines with internal power supply		

Table 1: Technical Data

1 All indicated angle accuracies are valid after a running time of 10 minutes at 25 °C, Cut-off frequency 0.3 Hz
Absolute calibration accuracy (at 25 °C): ±0.05°

2 type only: IS2D 90 P24/25

Electromagnetic Compatibility (EMC)			
Transient Emissions			
Radiated disturbance / Radio field strength	Limit curves broadband and narrowband EN ISO 14982 (agricultural and forestry machinery) respectively EN ISO 13309 (construction machinery) 30 ... 1000 MHz (vertical and horizontal)		
Immunity to Radio Frequency Fields (RF fields)			
Strip line according to ISO 11452-5	Limits according to EN ISO 14982 (agricultural and forestry machinery) respectively EN ISO 13309 (construction machinery) 20 ... 400 MHz 200 V/m (1 KHz AM) Performance criteria A		
Anechoic chamber according to ISO 11452-2	Limits according to EN ISO 14982 (agricultural and forestry machinery) respectively EN ISO 13309 (construction machinery) 200 ... 1000 MHz vertical / 400 ... 1000 MHz horizontal 100 V/m (1 KHz AM) Performance criteria A		
Immunity to Conducted Disturbances (on-board power supply 24 VDC)			
Test pulse according to ISO 7637-2:2004	Test pulse	Severity level	Performance criteria
	1 -450 V	III	C
	2a +37 V	III	B
	2b +20 V	III	C
	3a -150 V	III	A
	3b +150 V	III	A
	4 -12 V	III	B
	5a +70 V	Ri = 1 Ω	A
	5b +36 V	Ri = 0,5 Ω	A
	Immunity to Electromagnetic Discharge (ESD)		
ESD according to ISO 10605:2008	Limits according to EN ISO 14982 (agricultural and forestry machinery) respectively EN ISO 13309 (construction machinery) discharge combination 330 pF / 330 Ω Contact discharge 8 KV bipolar (metallic parts) Air discharge 15 KV bipolar Performance criteria A		

Table 2: Electromagnetic Compatibility (EMC)

3 Mounting

3.1 Position of Drilling Holes

The four drilling holes to mount the sensor (Figure 1) are situated in the base plate of the inclination sensor.

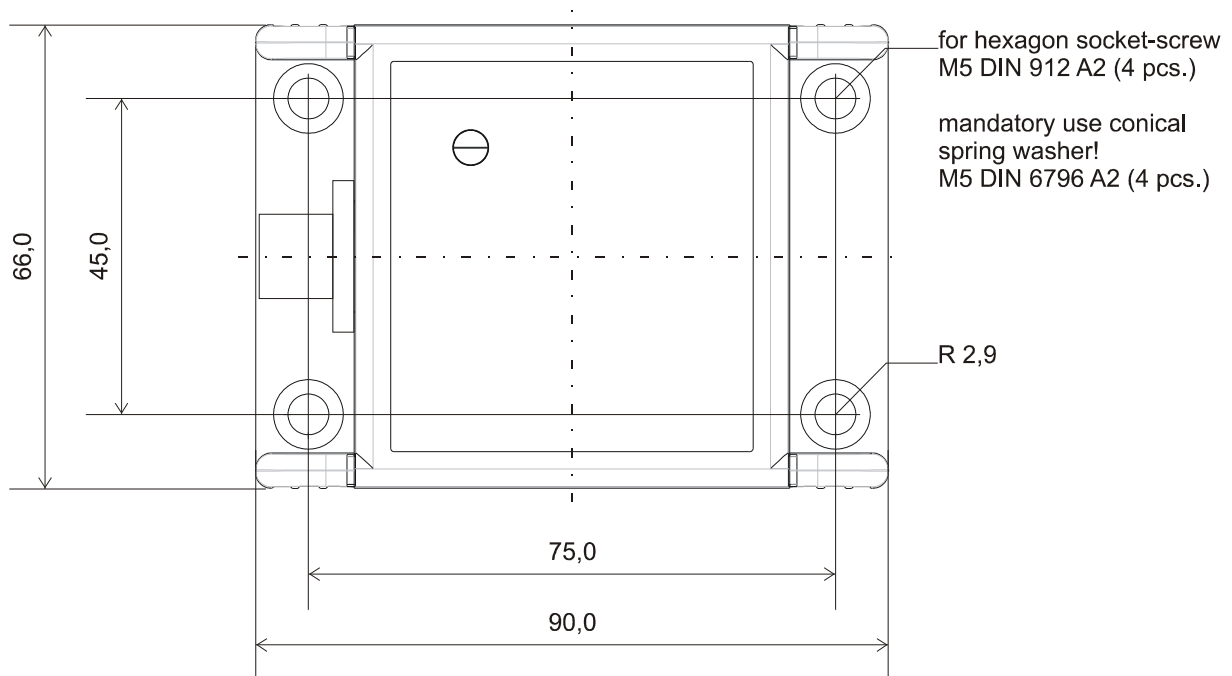


Figure 1: Dimensioned Sketch of plastic housing

3.2 Definition of the Axes

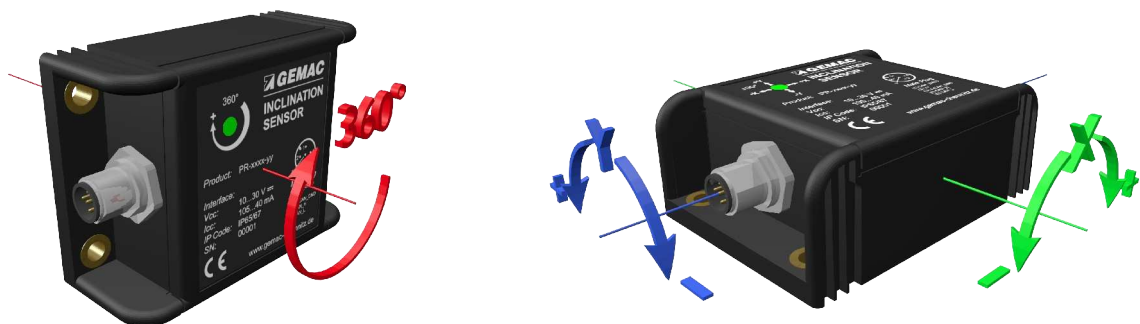


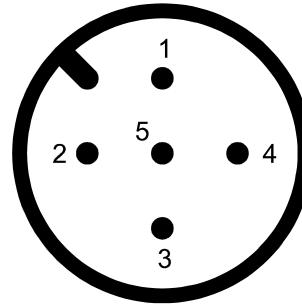
Figure 2: Definition of the Axes (factory default settings)

4 Connection

4.1 Connector Pin Out

The inclination sensors IS1D 00 P24/25 and IS2D 90 P24/25 are equipped with a common 5-pole round plug M12 (A-coded).

Pin	Signal	Allocation
1	V+	Supply voltage (+24 V)
2	B-OUT (Standard Y)	Sensor output B
3	V- / GND	Supply voltage ground / Sensor ground
4	A-OUT (Standard X)	Sensor output A
5	TEACH	Input for zero point adjustment



(View from the outside)

Figure 3: Connector Pin Out

4.2 Connection diagram

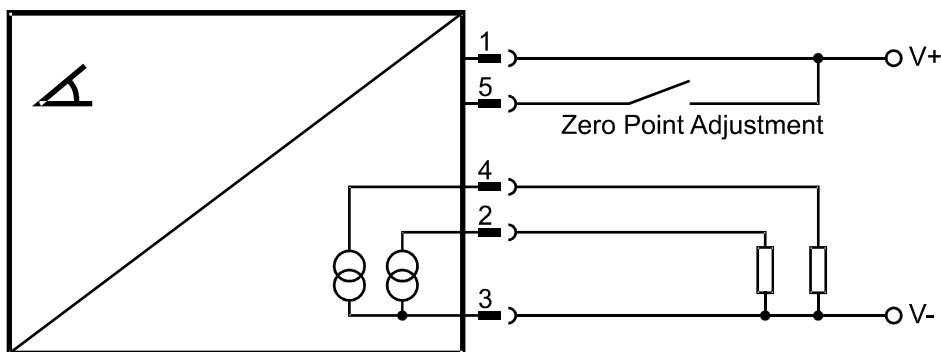


Figure 4: Connection diagram: current interface

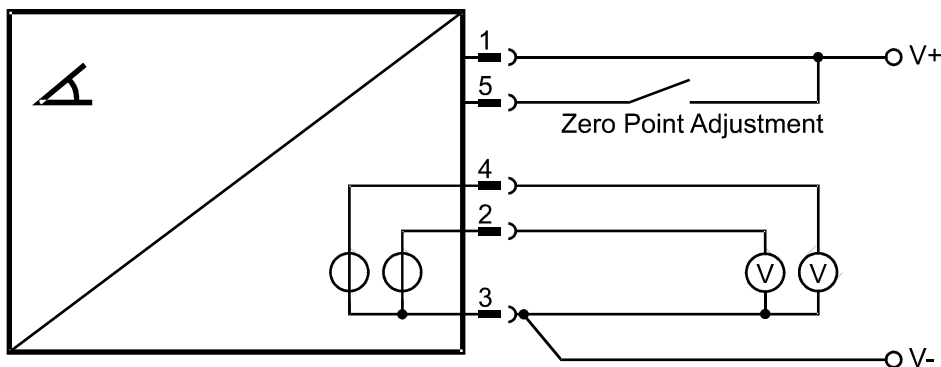


Figure 5: Connection diagram: voltage interface

4.3 Cable length and minimum supply voltage for current interface

At current interface, the required supply voltage is increased by the voltage drop on the connected cable. The highest voltage drop on the cable is produced when the maximum current of 20 mA is flowing through the resistance of the cable (R_L). Here, the resistance of the outgoing and the incoming wire must be taken into account (refer to Figure 6).

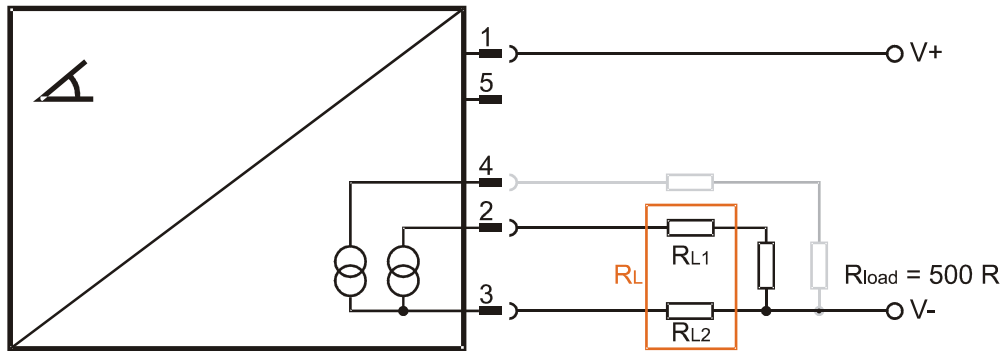


Figure 6: Cable length at current interface

The following table shows examples of the possible cable length at minimum supply voltage and the corresponding wire size (cross section). The table is based on the calculation of the line resistance according to VDE 0295 and a load resistance (R_{load}) of 500 Ω .

Minimum supply voltage in V	Cable resistance in Ω	Maximum cable length in m at at wire sizes of:				
		0,14 mm ²	0,25 mm ²	0,34 mm ²	0,50 mm ²	0,75 mm ²
17	10	35	60	84	124	187
18	50	176	304	423	623	936
20	150	528	914	1271	1870	2808
22	250	880	1524	2118	3117	4681
24	350	1232	2134	2966	4364	6554
26	450	1584	2743	3813	5610	8426
28	550	1936	3353	4661	6857	10299
30	650	2288	3963	5508	8104	12172

Table 3: Cable length at minimum supply voltage and different wires sizes

5 Functional description

5.1 Axis assignment / Axis direction

All inclination sensors have two analog outputs A and B that can be assigned to any in hardware available X and Y axes for the 2-dimensional inclination sensor and to the rotation axis in the 1-dimensional inclination sensor. An assignment of both outputs to the same axis is also possible. With the optional inversion of the axis direction, every conceivable constellation of the output assignment is possible. The axis direction can be changed by swapping the upper and lower current or voltage output values.

5.2 Zero Point Adjustment

For all inclination sensors, the zero point can be adjusted. This allows to set the zero position in the installed state of the sensor. This can either be made via the PC program or by means of the teach input. To set the zero point using the teaching input, it must be connected for a period of at least one second with the supply voltage (V+, pin 1). The current position of the inclination sensor is then set for each output to zero degree angle. The sensor will confirm this by turning off the Status LED for the duration of one second. To reset the zero point to factory defaults, the teaching input has to be connected for the duration of three additional seconds to the supply voltage. The sensor will indicate this by turning off the Status LED for also three seconds.

5.3 Digital Filter

The inclination sensor offers the possibility to suppress the influence of external disturbing vibrations. The internal lowpass digital filters (8th order) are programmable down to 0.1 Hz. The sensor has two digital filters that can be selected according to the application of the sensor.

Filter	Adjustable frequency range	Applications
Butterworth	0,1 Hz ... 25 Hz	Static inclination measurement with high damping to vibration
Critical damped	0,1 Hz ... 8 Hz	Inclination measurement in applications that requires a certain dynamism, without overshoot at angle changes with good damping

Table 4: Filter selection

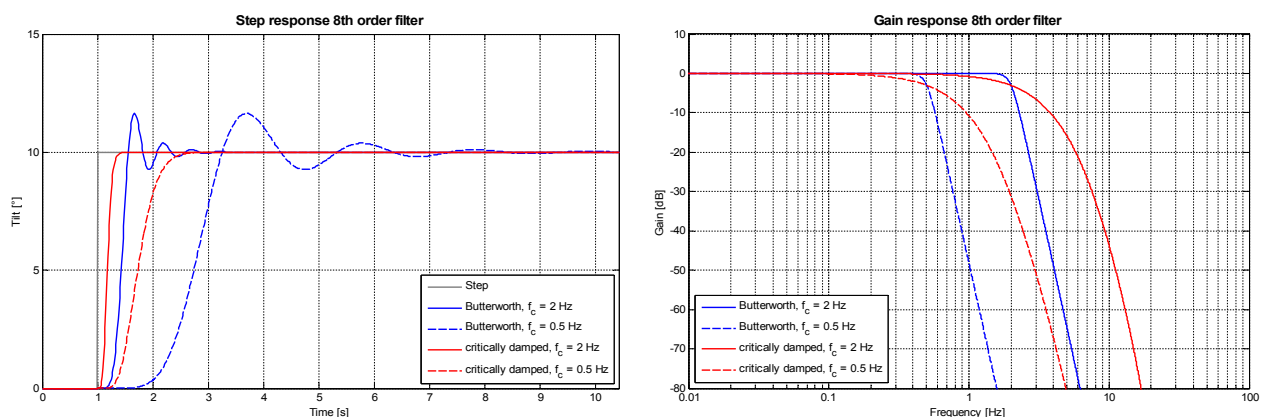


Figure 7: Impulse and amplitude response of the two filters

5.4 Status LED

The integrated two-color Status LED signals the recent device state. The color of the LED distinguishes the different device states as shown in Table 5.

Status LED	Description
Off	No power supply or teach confirmation
Green	The device is in working condition
Red	Current interface: one or both outputs in open circuit condition or wrong connected Voltage interface: one or both outputs in short circuit condition or wrong connected

Table 5: Status and Error Display through Status LED

6.2 PC software ISDControl

The parametrization of all possible values is done with the PC software ISDControl, which is included in all starter kits. Each configuration can then be stored in a file.

6.2.1 Configuration of all values

For all inclination sensors, the adjustment of the parameters can be done either numerically or graphically. (refer to Figure 9 and 10).

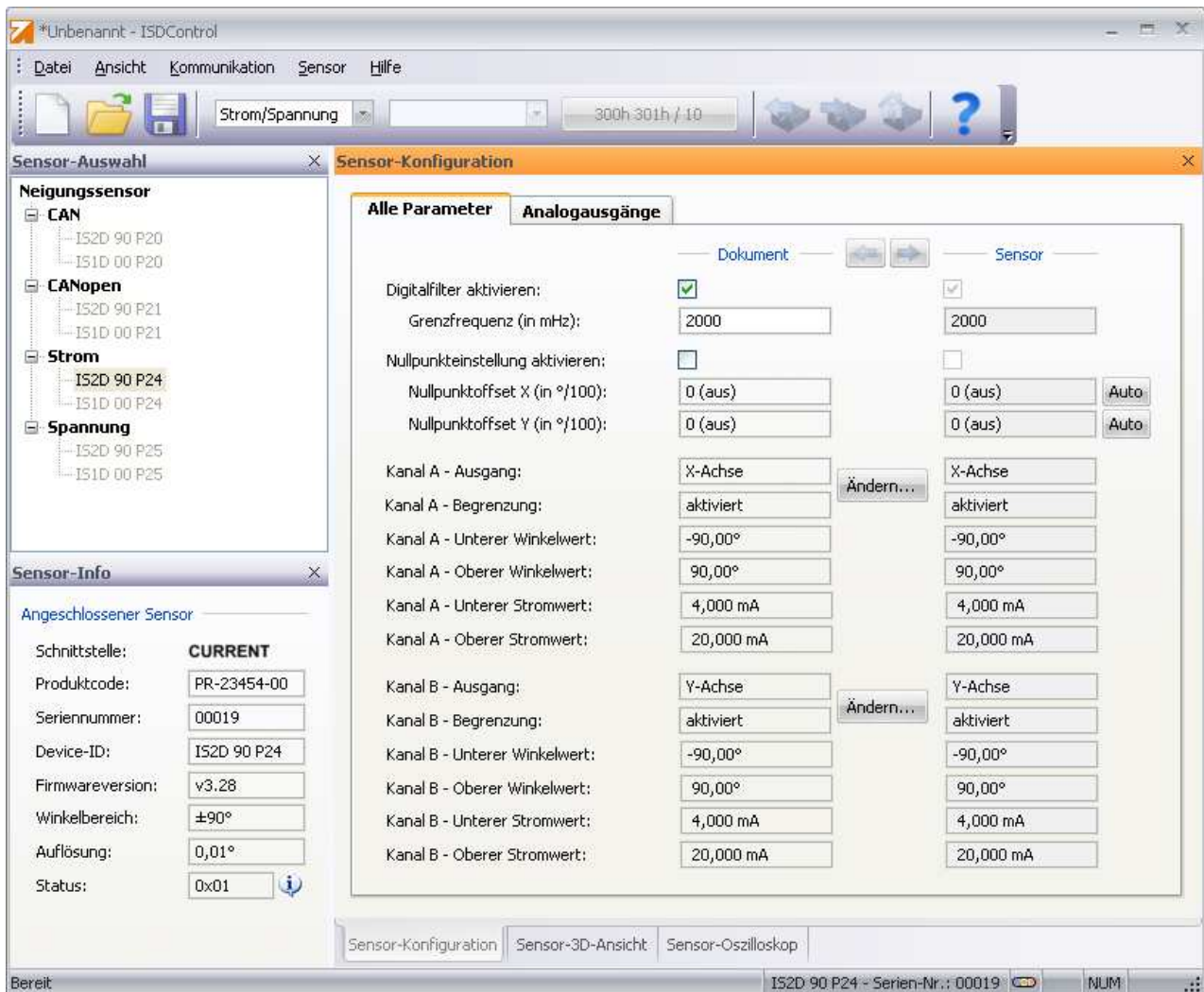


Figure 9: Numerical configuration of the inclination sensor

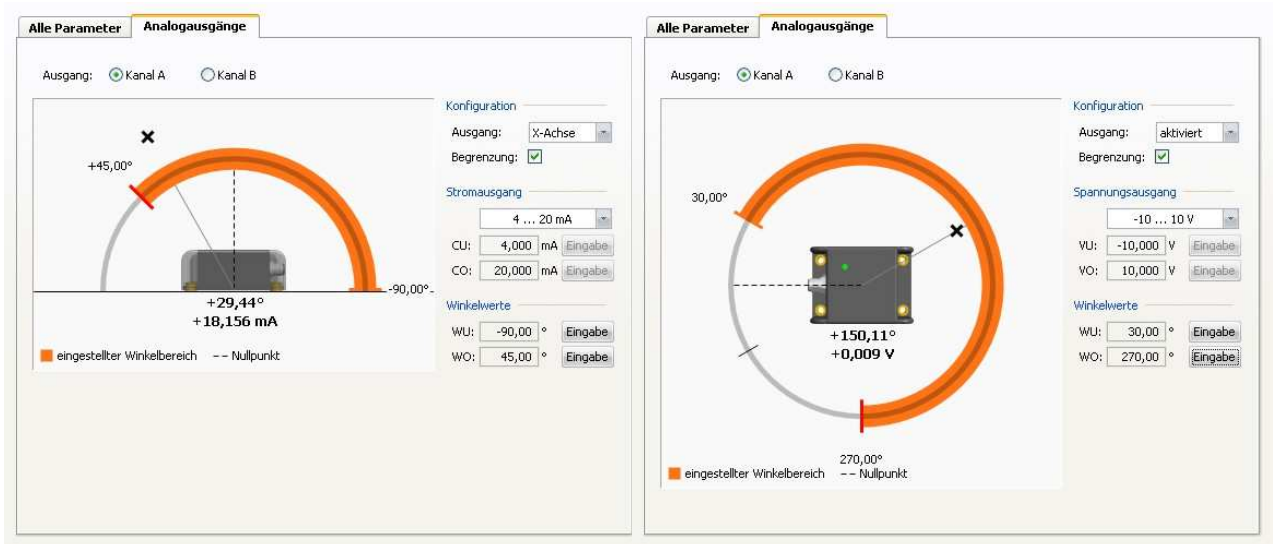


Figure 10: Graphical configuration of the outputs A and B

6.2.2 3D imaging and display of the current angle

By the program integrated 3D view, the position of the sensor in space can be visualized.

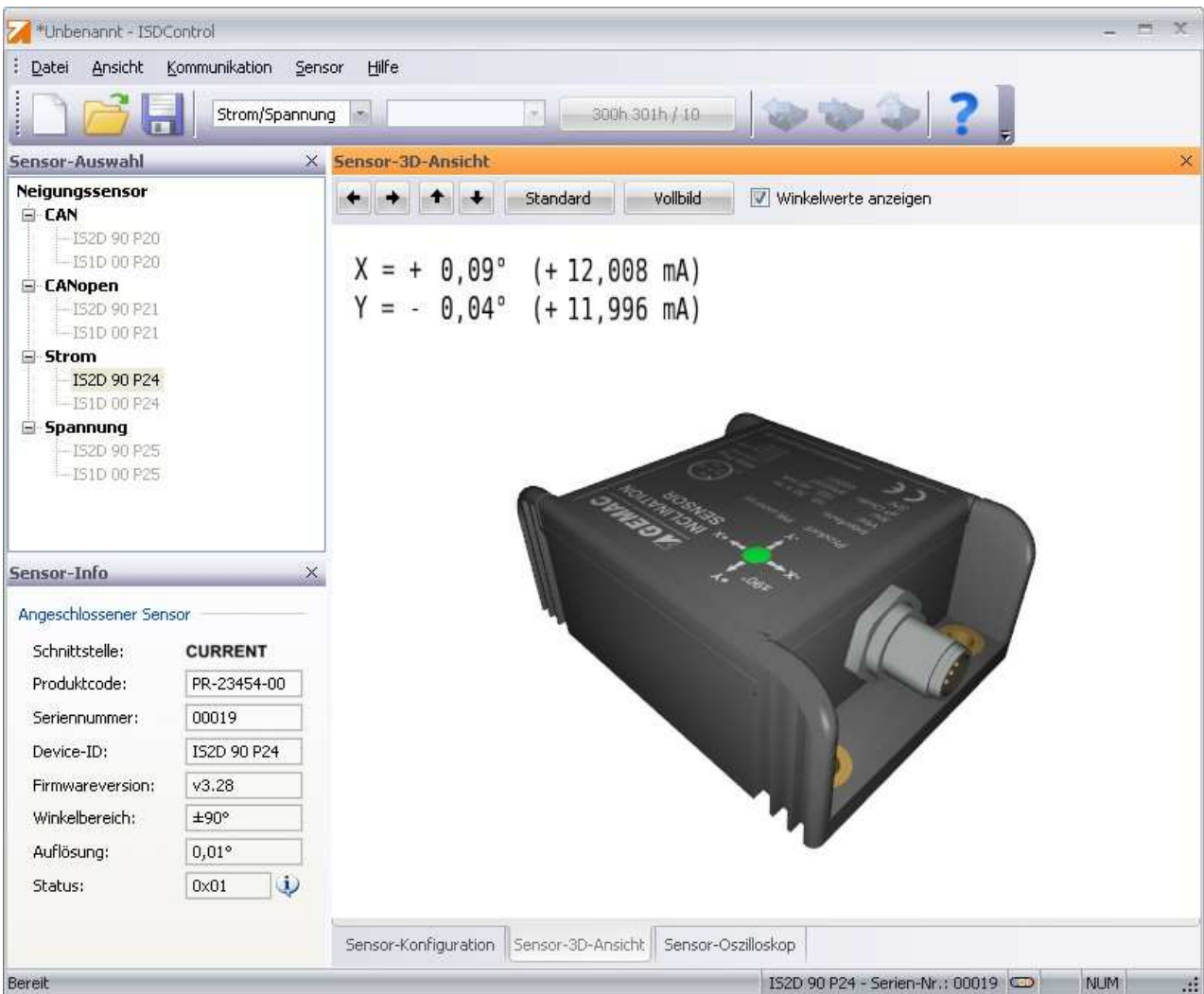


Figure 11: 3D imaging and display of the current angle

6.2.3 Oscilloscope display of the current angle

In the oscilloscope display, the influence of the adjustable digital filter can be controlled directly. Time base of the view, and amplitude and offset can be set analog to the operation of an oscilloscope.

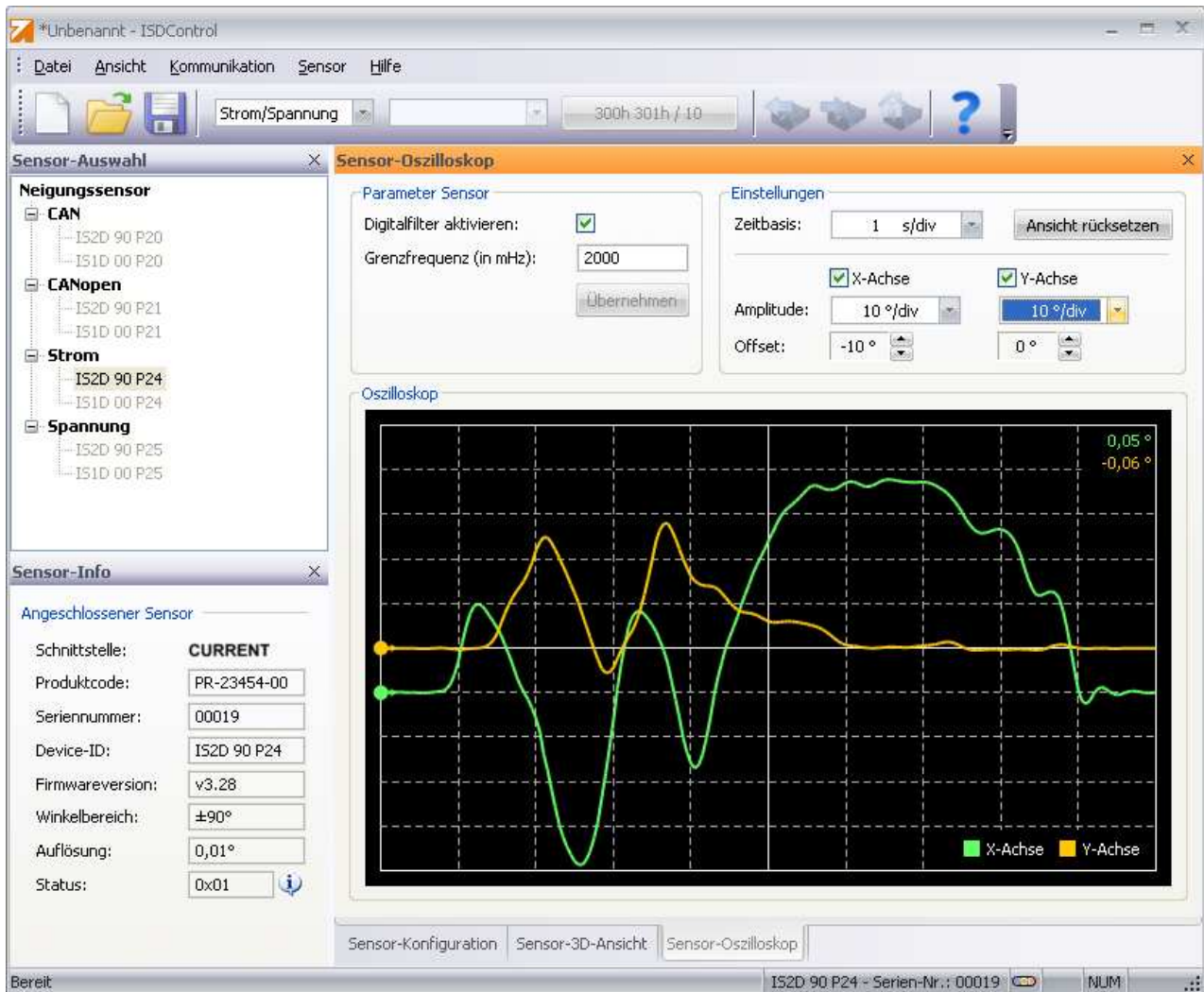


Figure 12: Oscilloscope display of the current angle

7 Ordering Information

Article Number	Product Type	Description/Distinction
PR-23450-00	IS1D 00 P24	1-dimensional, 360°, current interface
PR-23454-00	IS2D 90 P24	2-dimensional, $\pm 90^\circ$, current interface
PR-23550-00	IS1D 00 P25	1-dimensional, 360°, voltage interface
PR-23554-30	IS2D 90 P25	2-dimensional, $\pm 90^\circ$, voltage interface
PR-23998-00	TA1	Teach adapter
PR-23999-01	ISPA1	Inclination sensor programming adapter (Starter kit including programming adapter, cables and PC software)

Table 6: Ordering Information