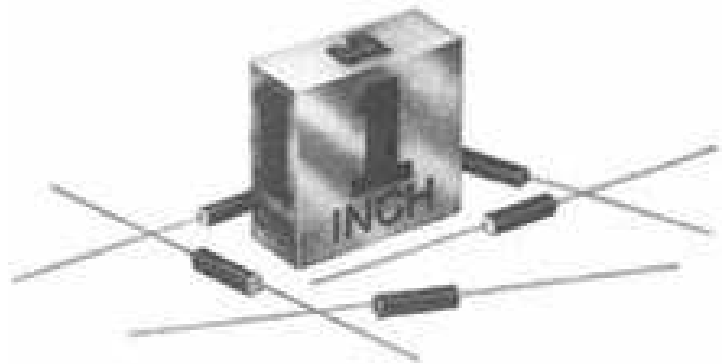




QR 12

FAST RECOVERY, 100ns.HIGH VOLTAGE  
MINIATURE RECTIFIERS

- SMALL SIZE MOLDED PACKAGE
- 12,000 VOLTS PRV
- AVALANCHE CHARACTERISTICS
- LOW LEAKAGE



Peak Reverse Voltage	12KV
Average Forward Current	6mA (SEE FIG 1)
Peak Surge Current (1/2CYCLE)	300mA
Maximum Forward Voltage Drop (@6mA)	45V
Maximum Reverse Current (@ 12KV)	1 $\mu$ A
Maximum Reverse Recovery	100nSEC (SEE FIG 2)
Operating Temperature Range	-55 °C to +100 °C
Storage Temperature Range	-55 °C to +125 °C

FIG.1

OUTPUT CURRENT vs AMBIENT TEMPERATURE

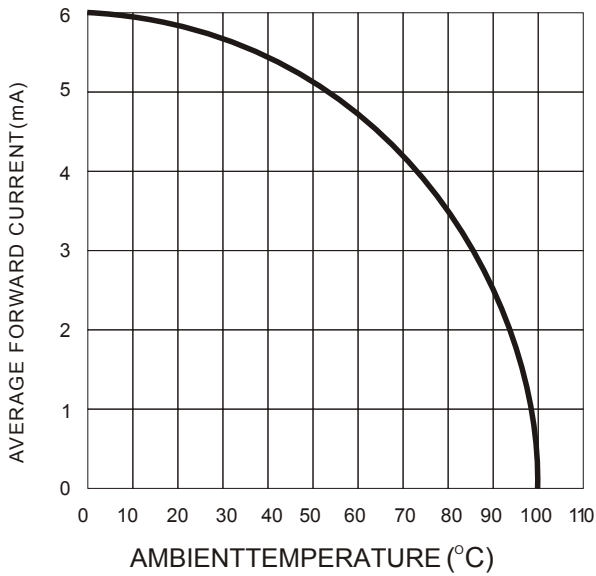


FIG.2

NON-REPETITIVE SURGE CURRENT

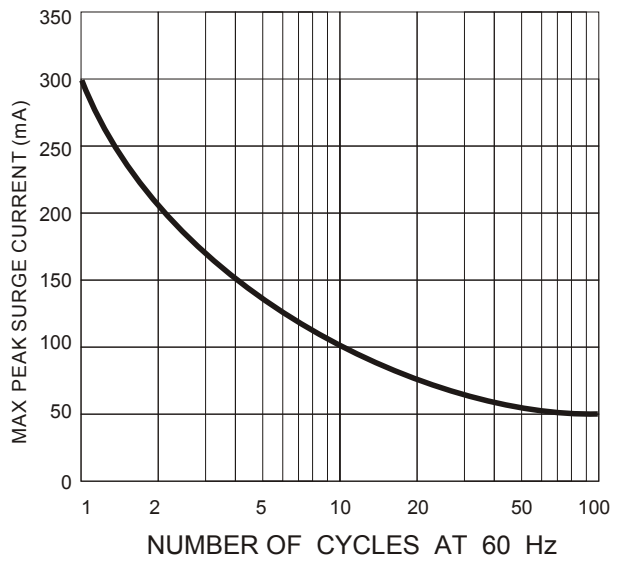


FIG.3

MECHANICAL DIMENSIONS

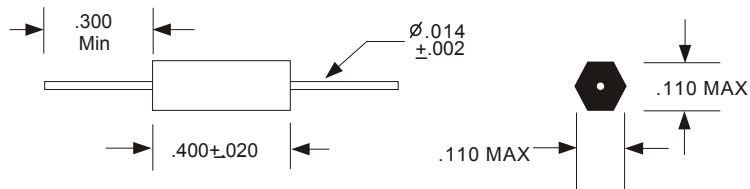
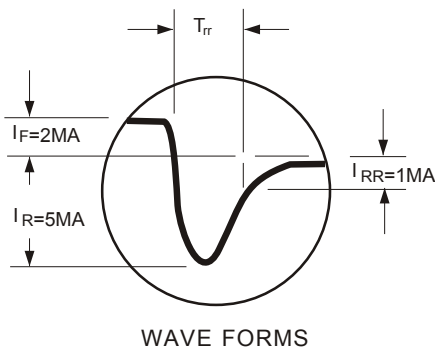


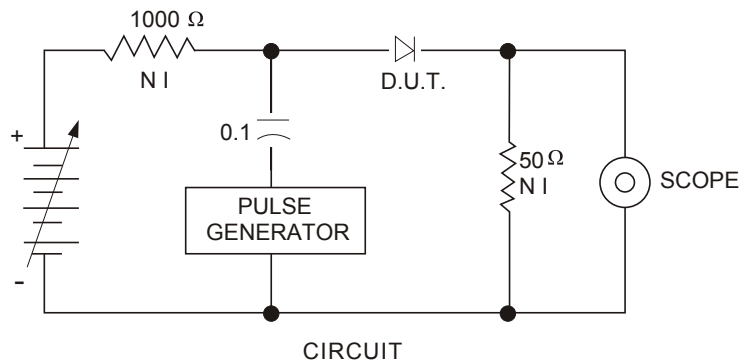
FIG.4

REVERSE RECOVERY TEST METHOD

RECOVERY WAVE FORM



RECOVERY WAVE FORM



**ELECTRONIC DEVICES, INC.** DESIGNERS AND MANUFACTURERS OF SOLID STATE DEVICES SINCE 1951.

21 GRAY OAKS AVENUE \* YONKERS, NEW YORK 10710 914-965-4400 \* FAX 914-965-5531 \* 1-800-678-0828

e-mail:sales@edidiodes.com \* website:http://www.edidiodes.com