



TV

## HIGH VOLTAGE SILICON RECTIFIERS

- SMALL SIZE MOLDED PACKAGE
- PRV 6,000 TO 20,000 VOLTS
- FAST RECOVERY
- AVALANCHE CHARACTERISTICS
- LOW LEAKAGE



EDI TYPE	PRV (VOLTS)	MAXIMUM FORWARD VOLTAGE DROP @5mA
TV 6	6,000	20
TV 8	8,000	25
TV 10	10,000	30
TV 12	12,000	38
TV 14	14,000	43
TV 16	16,000	50
TV 20	20,000	63

Average Rectified Forward Current @75 °C	5 mA
Max. Peak Surge Current (8.3ms) (Fig.2)	500 mA
Reverse Recovery Time(Fig 4)	100nSEC
Max. DC Reverse Current @ PRV and 25°C	2 $\mu$ A
Max. DC Reverse Current @ PRV and 100°C	50 $\mu$ A
Ambient Operating Temperature	-55°C to +125 °C
Storage Temperature Range	-55°C to +150 °C

EDI reserves the right to change these specifications at any time without notice.

FIG.1

OUTPUT CURRENT vs AMBIENT TEMPERATURE

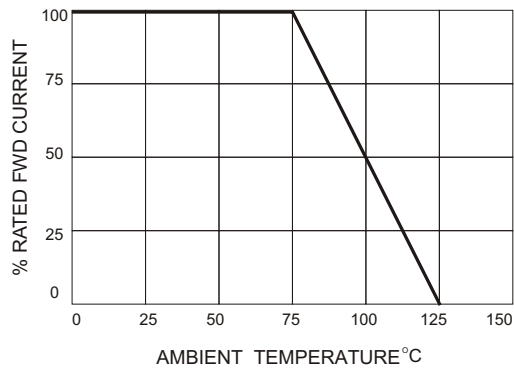


FIG.2

NON-REPETITIVE SURGE CURRENT

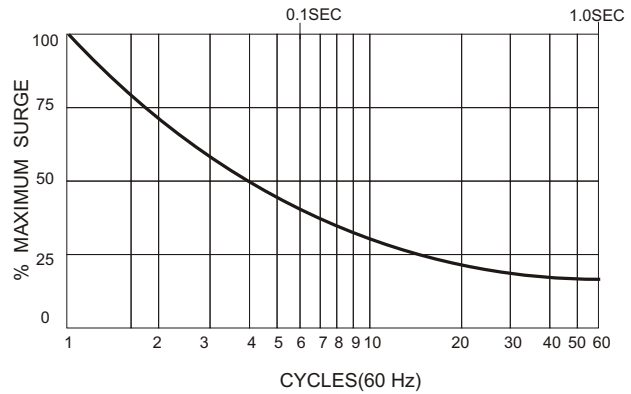


FIG.3

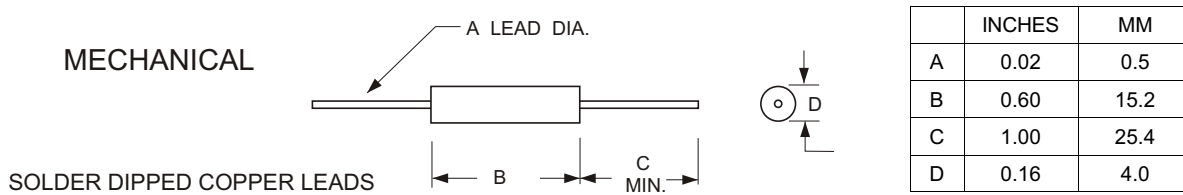
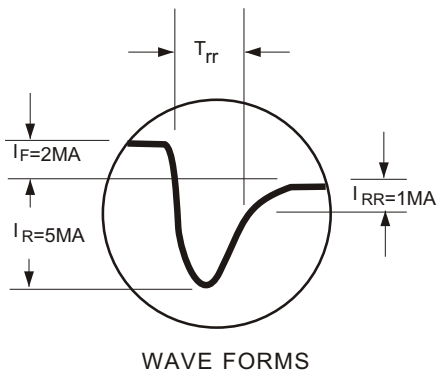


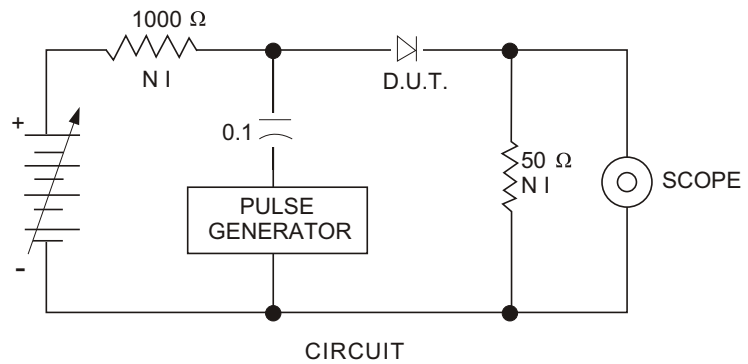
FIG.4

REVERSE RECOVERY TEST METHOD

RECOVERY WAVE FORM



RECOVERY TEST CIRCUIT



**ELECTRONIC DEVICES, INC.** DESIGNERS AND MANUFACTURERS OF SOLID STATE DEVICES SINCE 1951.

21 GRAY OAKS AVENUE \* YONKERS, NEW YORK 10710 914-965-4400 \* FAX 914-965-5531 \* 1-800-678-0828

e-mail: sales@ediododes.com \* website: <http://www.ediododes.com>