



PKR-F

**FAST RECOVERY MINIBRIDGE®**  
**10 AMPERES-TAB TERMINALS**  
**SINGLE-PHASE FULL-WAVE BRIDGES**  
**HEAT SINK AND CHASSIS MOUNTING**



**RU** This mark indicates recognition under the component program of Underwriters Laboratories, Inc.

**PKR-F SERIES**

PRV/leg	50V	100V	200V	400V	600V	800V	1000V
Type No.	PKR05F	PKR 10F	PKR 20F	PKR 40F	PKR 60F	PKR 80F	PKR100F

**ELECTRICAL CHARACTERISTICS PER LEG**  
 (at T<sub>A</sub>=25 °C Unless Otherwise Specified)

Average Output Current, I <sub>o</sub> @ 60 °C T <sub>c</sub> (Fig.1)	10	Amp
Max.Forward Voltage Drop, V <sub>F</sub> =1.25 V @ I <sub>F</sub> =	2.0	Amp
Max. DC Reverse Current @ PRV and 25°C, I <sub>R</sub>	5	µA
Max. DC Reverse Current @ PRV and 100°C, I <sub>R</sub>	100	µA
Max. Reverse Recovery , T <sub>rr</sub> (Fig.4)	200	Nano Sec.
Max. Peak Surge Current, I <sub>FSM</sub> (8.3ms)	125	Amp
Storage Temperature Range, T <sub>STG</sub>	-55 to +150	°C
Thermal Resistance (Total Bridge), R <sub>θj-c</sub>	4.5typ.	°C/W

EDI reserves the right to change these specifications at any time without notice.

# PKR-F

FIG. 1  
PKR-F SERIES CURRENT DERATING

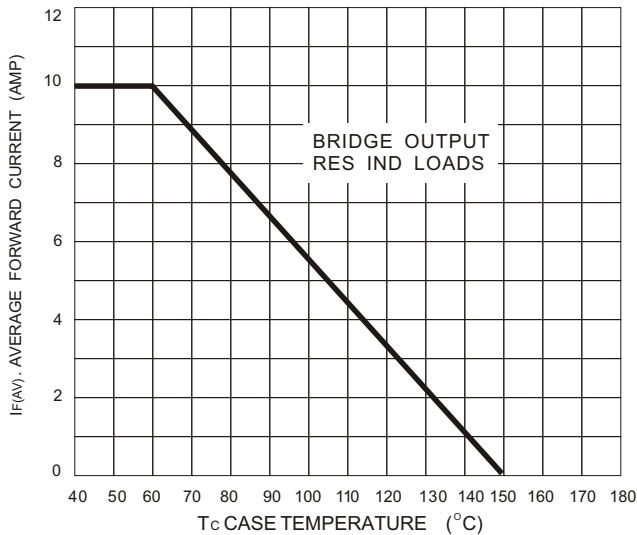


FIG. 2

NON-REPETITIVE SURGE CURRENT

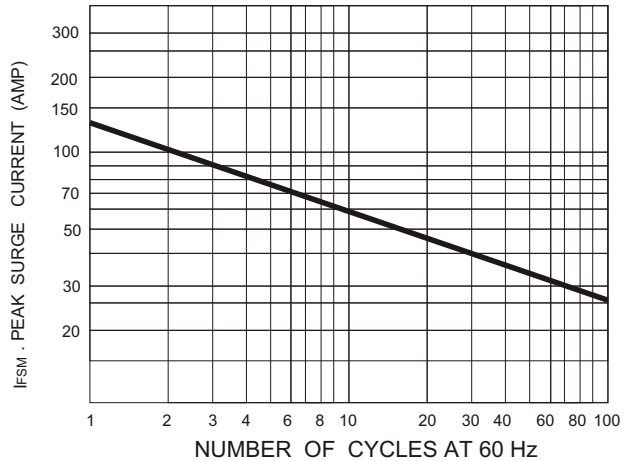


Figure 3  
POWER DISSIPATION

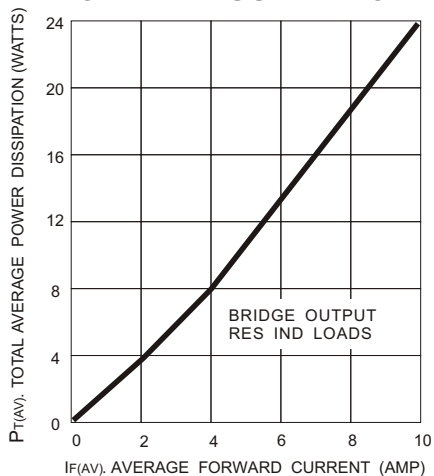
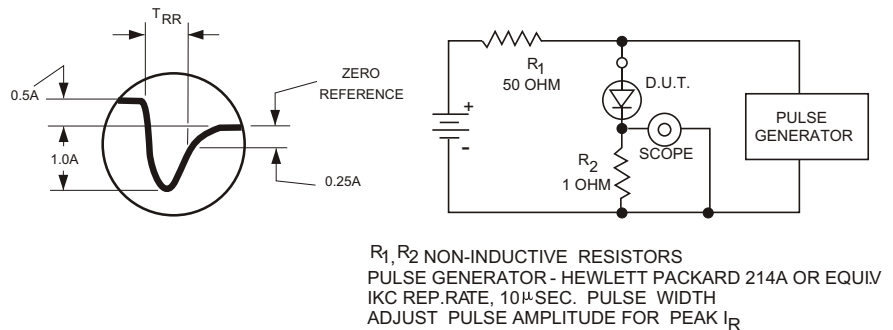
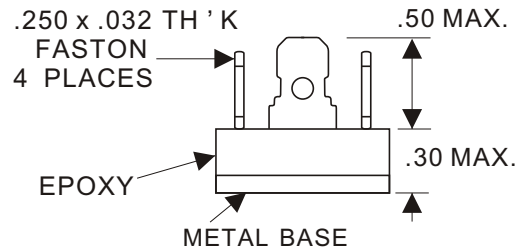
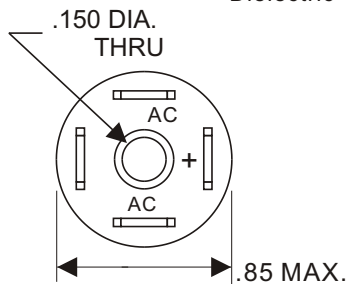


FIG. 4  
TEST CIRCUIT



## PKR-F SERIES MECH. OUTLINE

Dielectric test voltage 1500 volts rms, max. 50-60Hz



NOTE: A thin film of silicone thermal compound is recommended between the Minibrige<sup>®</sup> case and mounting surface for improved thermal conduction.

**ELECTRONIC DEVICES, INC.** DESIGNERS AND MANUFACTURERS OF SOLID STATE DEVICES SINCE 1951.

21 GRAY OAKS AVENUE \* YONKERS, NEW YORK 10710 914-965-4400 \* FAX 914-965-5531 \* 1-800-678-0828  
e-mail:sales@edidiodes.com \* website:http://www.edidiodes.com