

OVERVIEW

The SM5005A series are crystal oscillator module ICs, that incorporate high-frequency, low current consumption oscillator and output buffer circuits. Highly accurate thin-film feedback resistors and high-frequency capacitors are built-in, eliminating the need for external components to make a stable 3rd overtone oscillator.

FEATURES

- High-frequency operation
- 3rd overtone oscillation
- Capacitors C_G , C_D built-in
- Standby function (oscillator stops)
- Power-saving pull-up resistor built-in
- Inverter amplifier feedback resistor built-in
- CMOS input level
- 8mA ($V_{DD} = 2.7V$) drive capability
- CMOS output duty level
- Output three-state function
- 2.25 to 3.6V supply voltage
- Oscillator frequency output
- 8-pin VSOP (SM5005A××V)
- Chip form (CF5005A××)

SERIES CONFIGURATION

Version ¹	Recommended operating frequency range ² [MHz]		gm ratio	Output duty level	Output current [mA]	Built-in capacitance [pF]		R_f [k Ω]
	$V_{DD} = 2.25$ to 2.75V	$V_{DD} = 2.7$ to 3.6V				C_G	C_D	
SM5005ALAV	60 to 70	70 to 100	1.0	CMOS	8	8	10	2.2
SM5005ALBV	–	90 to 110	1.5	CMOS	8	6	6	3.3
SM5005ALCV	–	107 to 125	1.5	CMOS	8	3	3	3.3
CF5005ALD ³	45 to 60	60 to 80	1.0	CMOS	8	8	10	3.5
CF5005ALE ³	30 to 45	40 to 60	1.0	CMOS	8	8	15	5.6

1. Chip form devices have designation CF5005A××.

2. The recommended operating frequency is a yardstick value derived from the crystal used for NPC characteristics authentication. However, the oscillator frequency band is not guaranteed. Specifically, the characteristics can vary greatly due to crystal characteristics and mounting conditions, so the oscillation characteristics of components must be carefully evaluated.

3. Chip form only.

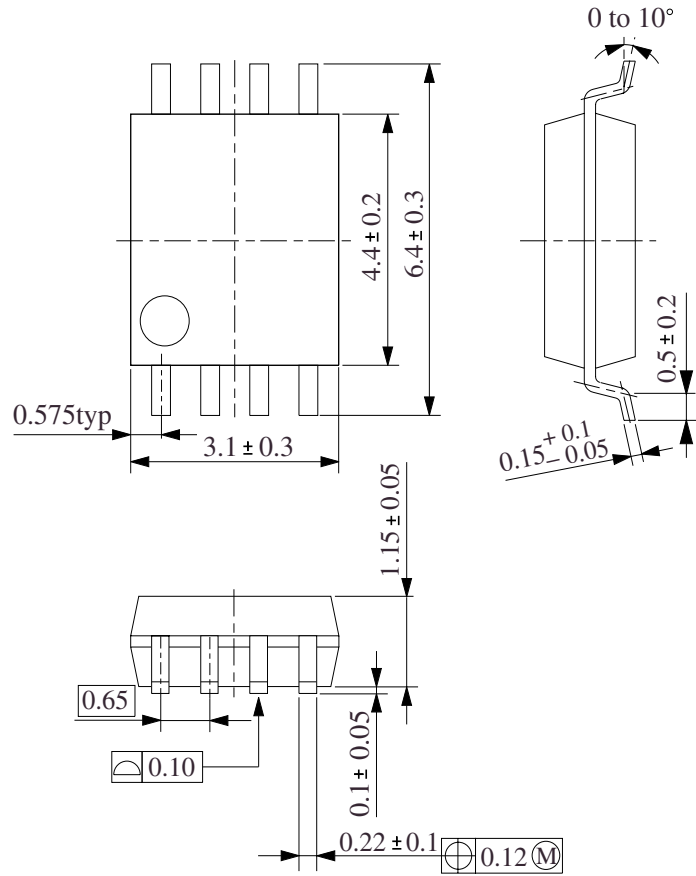
ORDERING INFORMATION

Device	Package
SM5005A××V	8-pin VSOP
CF5005A××-1	Chip form

PACKAGE DIMENSIONS

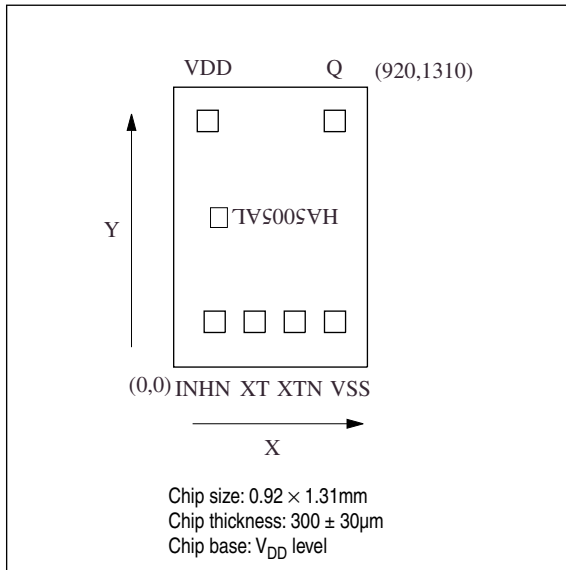
(Unit: mm)

- 8-pin VSOP



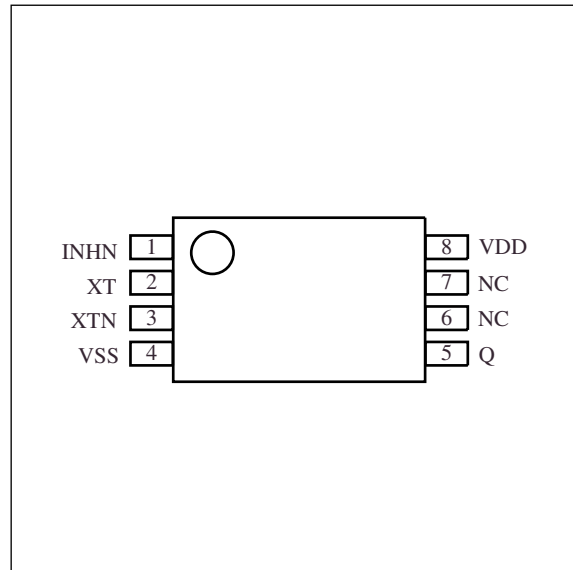
PAD LAYOUT

(Unit: μm)



PINOUT

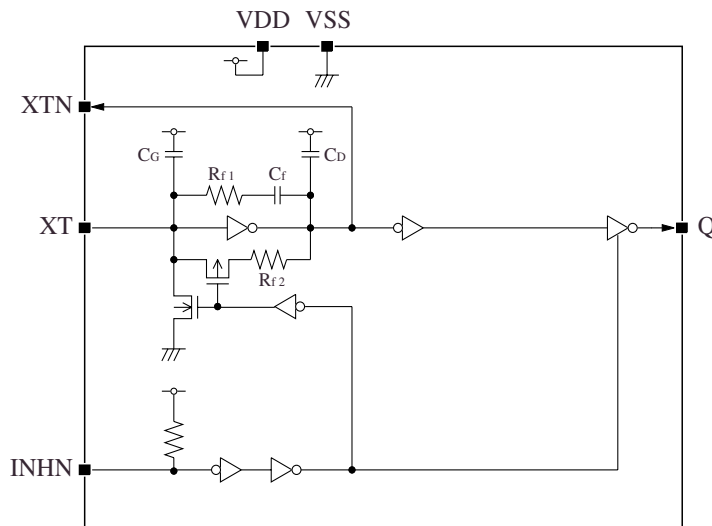
(Top view)



PIN DESCRIPTION and PAD DIMENSIONS

Number	Name	I/O	Description	Pad dimensions [μm]	
				X	Y
1	INHN	I	Output state control input. Oscillator stopped when LOW. Power-saving pull-up resistor built in	195	212
2	XT	I	Amplifier input.	385	212
3	XTN	O	Amplifier output.	575	212
4	VSS	-	Ground	766	212
5	Q	O	Output. Output frequency (f_0)	765	1152
6	NC	-	No connection	-	-
7	NC	-	No connection	-	-
8	VDD	-	Supply voltage	162	1152

BLOCK DIAGRAM



SPECIFICATIONS

Absolute Maximum Ratings

$V_{SS} = 0V$

Parameter	Symbol	Condition	Rating	Unit
Supply voltage range	V_{DD}		-0.5 to 7.0	V
Input voltage range	V_{IN}		-0.5 to $V_{DD} + 0.5$	V
Output voltage range	V_{OUT}		-0.5 to $V_{DD} + 0.5$	V
Operating temperature range	T_{opr}		-40 to 85	°C
Storage temperature range	T_{stg}	Chip form	-65 to 150	°C
		8-pin VSOP	-40 to 125	
Output current	I_{OUT}		25	mA
Power dissipation	P_D	8-pin VSOP	300	mW

Recommended Operating Conditions

CF5005AL×

$V_{SS} = 0V$, $f \leq 125MHz$ unless otherwise noted.

Parameter	Symbol	Condition	Rating			Unit
			min	typ	max	
Supply voltage	V_{DD}	$C_L \leq 15pF$	2.7	-	3.6	V
		$C_L \leq 30pF$	3.0	-	3.6	
Input voltage	V_{IN}		V_{SS}	-	V_{DD}	V
Operating temperature	T_{OPR}		-20	-	80	°C

CF5005ALA/CF5005ALD/CF5005ALE

$V_{SS} = 0V$, $f \leq 70MHz$ unless otherwise noted.

Parameter	Symbol	Condition	Rating			Unit
			min	typ	max	
Supply voltage	V_{DD}	$C_L \leq 30pF$	2.25	-	2.75	V
Input voltage	V_{IN}		V_{SS}	-	V_{DD}	V
Operating temperature	T_{OPR}		-20	-	80	°C

SM5005AL×V

$V_{SS} = 0V$, $f \leq 125MHz$ unless otherwise noted.

Parameter	Symbol	Condition	Rating			Unit
			min	typ	max	
Supply voltage	V_{DD}	$C_L \leq 15pF$	2.7	-	3.6	V
Input voltage	V_{IN}		V_{SS}	-	V_{DD}	V
Operating temperature	T_{OPR}		-20	-	80	°C

SM5005A series

Electrical Characteristics

$V_{DD} = 2.7$ to $3.6V$, $V_{SS} = 0V$, $T_a = -20$ to $80^{\circ}C$ unless otherwise noted.

Parameter	Symbol	Condition			Rating			Unit
					min	typ	max	
HIGH-level output voltage	V_{OH}	Q: Measurement cct 1, $V_{DD} = 2.7V$, $I_{OH} = 8mA$			2.2	2.4	–	V
LOW-level output voltage	V_{OL}	Q: Measurement cct 2, $V_{DD} = 2.7V$, $I_{OL} = 8mA$			–	0.3	0.4	V
Output leakage current	I_Z	Q: Measurement cct 2, INHN = LOW, $V_{DD} = 3.6V$		$V_{OH} = V_{DD}$	–	–	10	μA
				$V_{OL} = V_{SS}$	–	–	10	
HIGH-level input voltage	V_{IH}	INHN			$0.7V_{DD}$	–	–	V
LOW-level input voltage	V_{IL}	INHN			–	–	$0.3V_{DD}$	V
Current consumption	I_{DD}	INHN = open, Measurement cct 3, load cct 1, $V_{DD} = 3.0V$ to $3.6V$ $f = 125MHz$	$C_L = 30pF$	CF5005AL \times	–	40	100	mA
			$C_L = 15pF$	SM5005AL \times V CF5005AL \times	–	25	60	
Standby current	I_{ST}	INHN = LOW, Measurement cct 3			–	–	10	μA
INHN pull-up resistance	R_{UP1}	Measurement cct 4, INHN = LOW			0.4	–	4	$M\Omega$
	R_{UP2}	Measurement cct 4, INHN = $0.7V_{DD}$			50	–	150	$k\Omega$
AC feedback resistance	R_{f1}	Design value. A monitor pattern on a wafer is tested.		SM5005ALAV CF5005ALA	1.76	2.2	2.64	$k\Omega$
				SM5005ALBV CF5005ALB	2.64	3.3	3.96	
				SM5005ALCV CF5005ALC	2.64	3.3	3.96	
				CF5005ALD	2.80	3.5	4.20	
				CF5005ALE	4.48	5.6	6.72	
DC feedback resistance	R_{f2}	Measurement cct 5			50	–	150	$k\Omega$
AC feedback capacitance	C_f	Design value. A monitor pattern on a wafer is tested.			9.3	10	10.7	pF
Built-in capacitance	C_G	Design value. A monitor pattern on a wafer is tested.		SM5005ALAV CF5005ALA CF5005ALD CF5005ALE	7.44	8	8.56	pF
				SM5005ALBV CF5005ALB	5.58	6	6.42	
				SM5005ALCV CF5005ALC	2.79	3	3.21	
	C_D	Design value. A monitor pattern on a wafer is tested.		SM5005ALAV CF5005ALA CF5005ALD	9.3	10	10.7	pF
				SM5005ALBV CF5005ALB	5.58	6	6.42	
				SM5005ALCV CF5005ALC	2.79	3	3.21	
				CF5005ALE	13.95	15	16.05	

Switching Characteristics

3V operation

$V_{SS} = 0V$, $T_a = -20$ to $80^\circ C$ unless otherwise noted.

Parameter	Symbol	Condition	Rating			Unit		
			min	typ	max			
Output rise time	t_{r1}	Measurement cct 3, load cct 1, $0.1V_{DD}$ to $0.9V_{DD}$	$C_L = 15pF$, $V_{DD} = 2.7V$ to $3.6V$	SM5005AL×V CF5005AL×	–	1	3	ns
	t_{r2}		$C_L = 30pF$, $V_{DD} = 3.0V$ to $3.6V$	CF5005AL×	–	1.5	4	
Output fall time	t_{f1}	Measurement cct 3, load cct 1, $0.9V_{DD}$ to $0.1V_{DD}$	$C_L = 15pF$, $V_{DD} = 2.7V$ to $3.6V$	SM5005AL×V CF5005AL×	–	1	3	ns
	t_{f2}		$C_L = 30pF$, $V_{DD} = 3.0V$ to $3.6V$	CF5005AL×	–	1.5	4	
Output duty cycle ¹	Duty	Measurement cct 3, load cct 1, $T_a = 25^\circ C$, $V_{DD} = 3.0V$	$C_L = 30pF$, $f \leq 125MHz$	CF5005AL×	45	–	55	%
			$C_L = 15pF$, $f \leq 107MHz$	SM5005AL×V	45	–	55	
			$C_L = 15pF$, $107MHz < f < 125MHz$		40	–	60	
Output disable delay time ²	t_{PLZ}	Measurement cct 6, $T_a = 25^\circ C$, $V_{DD} = 2.7V$, $C_L \leq 15pF$			–	–	100	ns
Output enable delay time ²	t_{PZL}	Measurement cct 6, $T_a = 25^\circ C$, $V_{DD} = 2.7V$, $C_L \leq 15pF$			–	–	100	ns

1. The duty cycle characteristic is checked the sample chips of each production lot.
2. Oscillator stop function is built-in. When INHN goes LOW, normal output stops. When INHN goes HIGH, normal output is not resumed until after the oscillator start-up time has elapsed.

2.5V operation (CF5005ALA, CF5005ALD, CF5005ALE)

$V_{SS} = 0V$, $T_a = -20$ to $80^\circ C$ unless otherwise noted.

Parameter	Symbol	Condition	Rating			Unit		
			min	typ	max			
Output rise time	t_{r3}	Measurement cct 3, load cct 1, $0.1V_{DD}$ to $0.9V_{DD}$, $C_L = 30pF$, $V_{DD} = 2.25V$ to $2.75V$	–	2	6	ns		
Output fall time	t_{f3}	Measurement cct 3, load cct 1, $0.9V_{DD}$ to $0.1V_{DD}$, $C_L = 30pF$, $V_{DD} = 2.25V$ to $2.75V$	–	2	6	ns		
Output duty cycle ¹	Duty	Measurement cct 3, load cct 1, $T_a = 25^\circ C$, $V_{DD} = 2.5V$, $C_L = 30pF$, $f \leq 70MHz$	40	–	60	%		
Output disable delay time ²	t_{PLZ}	Measurement cct 6, $T_a = 25^\circ C$, $V_{DD} = 2.25V$, $C_L \leq 15pF$			–	–	300	ns
Output enable delay time ²	t_{PZL}	Measurement cct 6, $T_a = 25^\circ C$, $V_{DD} = 2.25V$, $C_L \leq 15pF$			–	–	300	ns

1. The duty cycle characteristic is checked the sample chips of each production lot.
2. Oscillator stop function is built-in. When INHN goes LOW, normal output stops. When INHN goes HIGH, normal output is not resumed until after the oscillator start-up time has elapsed.

FUNCTIONAL DESCRIPTION

Standby Function

The oscillator stops when INHN goes LOW. When the oscillator stops, the oscillator output on Q goes high impedance.

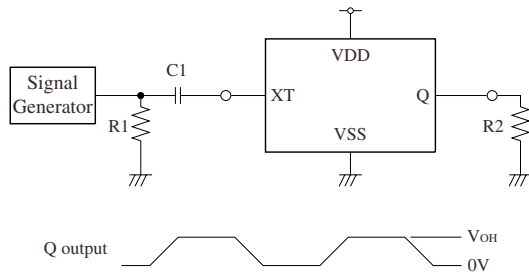
INHN	Q	Oscillator
HIGH (or open)	f_O output frequency	Normal operation
LOW	High impedance	Stopped

Power-saving Pull-up Resistor

The INHN pull-up resistance changes in response to the input level (HIGH or LOW). When INHN goes LOW (standby state), the pull-up resistance becomes large to reduce the current consumption during standby.

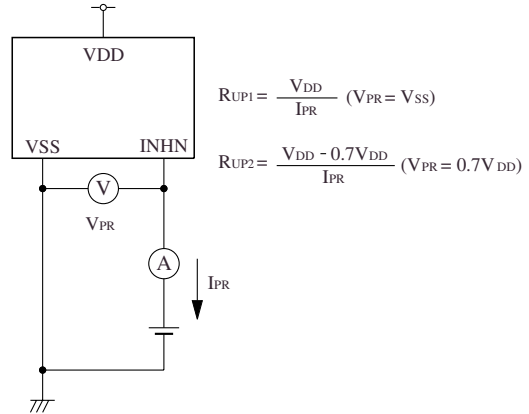
MEASUREMENT CIRCUITS

Measurement cct 1



2.5V_{p-p}, 10MHz sine wave input signal
 C1 : 0.001μF
 R1 : 50Ω
 R2 : 275Ω

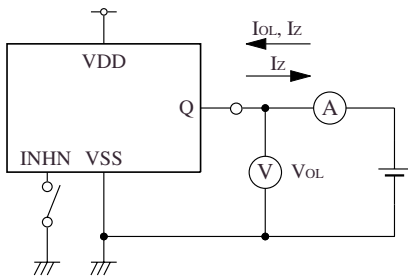
Measurement cct 4



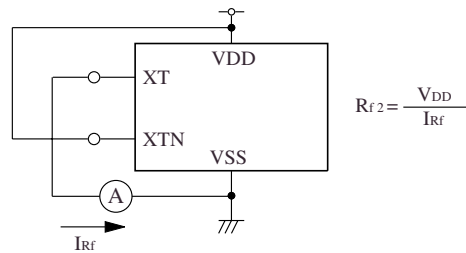
$$R_{UP1} = \frac{V_{DD}}{I_{PR}} \quad (V_{PR} = V_{SS})$$

$$R_{UP2} = \frac{V_{DD} - 0.7V_{DD}}{I_{PR}} \quad (V_{PR} = 0.7V_{DD})$$

Measurement cct 2

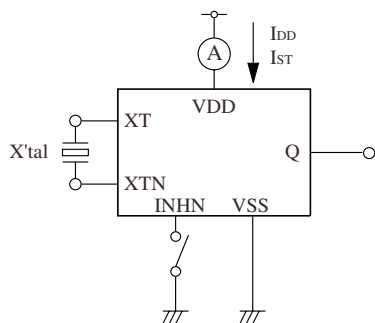


Measurement cct 5

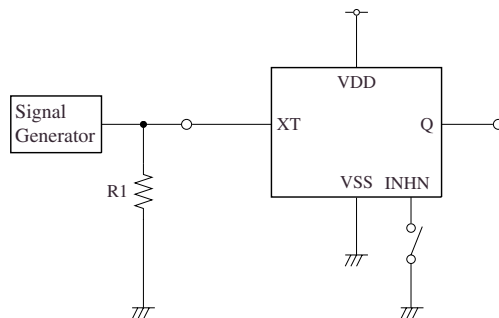


$$R_{f2} = \frac{V_{DD}}{I_{Rf}}$$

Measurement cct 3

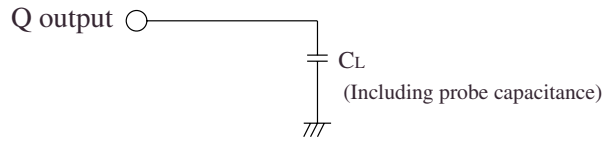


Measurement cct 6



R1 : 50Ω

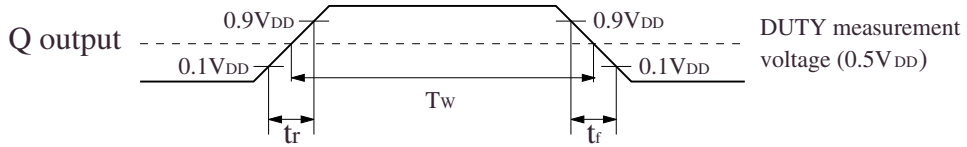
Load cct 1



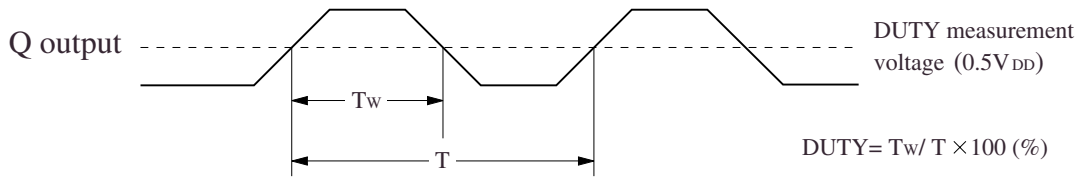
$C_L = 15\text{pF}$: t_{r1}, t_{f1}, I_{DD} (SM5005AL×V, CF5005AL×)
 $C_L = 30\text{pF}$: $t_{r2}, t_{f2}, t_{r3}, t_{f3}, I_{DD}$ (CF5005AL×)

Switching Time Measurement Waveform

Output duty level (CMOS)

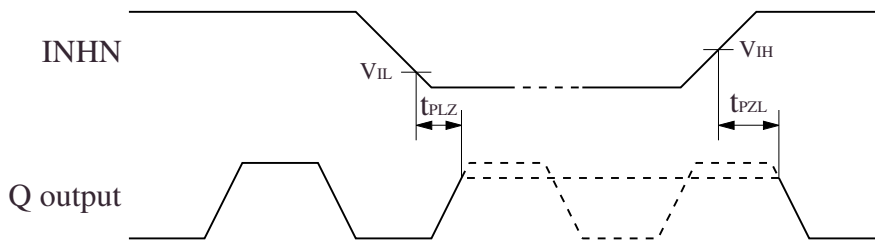


Output duty cycle (CMOS)



Output Enable/Disable Delay

The following figure shows the oscillator timing during normal operation. Note that when the device is in standby, the oscillator stops. When standby is released, the oscillator starts and stable oscillator output occurs after a short delay.



INHN input waveform $t_r = t_f \leq 10\text{ns}$

Please pay your attention to the following points at time of using the products shown in this document.

The products shown in this document (hereinafter "Products") are not intended to be used for the apparatus that exerts harmful influence on human lives due to the defects, failure or malfunction of the Products. Customers are requested to obtain prior written agreement for such use from SEIKO NPC CORPORATION (hereinafter "NPC"). Customers shall be solely responsible for, and indemnify and hold NPC free and harmless from, any and all claims, damages, losses, expenses or lawsuits, due to such use without such agreement. NPC reserves the right to change the specifications of the Products in order to improve the characteristic or reliability thereof. NPC makes no claim or warranty that the contents described in this document dose not infringe any intellectual property right or other similar right owned by third parties. Therefore, NPC shall not be responsible for such problems, even if the use is in accordance with the descriptions provided in this document. Any descriptions including applications, circuits, and the parameters of the Products in this document are for reference to use the Products, and shall not be guaranteed free from defect, inapplicability to the design for the mass-production products without further testing or modification. Customers are requested not to export or re-export, directly or indirectly, the Products to any country or any entity not in compliance with or in violation of the national export administration laws, treaties, orders and regulations. Customers are requested appropriately take steps to obtain required permissions or approvals from appropriate government agencies.

The logo for NPC (Seiko NPC Corporation) consists of the letters 'NPC' in a bold, black, sans-serif font. The 'N' and 'P' are connected at the top, and the 'C' is positioned to the right of the 'P'.

SEIKO NPC CORPORATION

1-9-9, Hatchobori, Chuo-ku,
Tokyo 104-0032, Japan
Telephone: +81-3-5541-6501
Facsimile: +81-3-5541-6510
<http://www.npc.co.jp/>
Email: sales@npc.co.jp

NC9805GE 2006.04