

3A Avg.

400 Volts

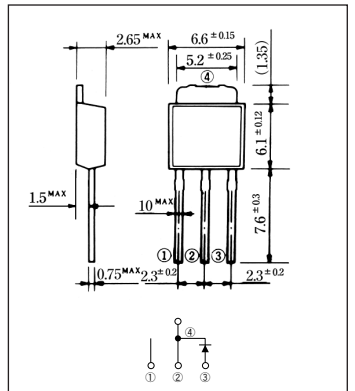
FRED

EA31FS4

最大定格 Maximum Ratings

Item	Symbol	Conditions	Unit
くり返しピーク逆電圧 Repetitive Peak Reverse Voltage	V_{RRM}	400	V
非くり返しピーク逆電圧 Non-repetitive Peak Reverse Voltage	V_{RSM}	440	A
平均整流電流 Average Rectified Forward Current	I_O	50Hz、正弦半波通電抵抗負荷 50Hz Half Sine Wave Resistive Load	$T_a=34^\circ\text{C}$ 1.4 A
			$T_c=125^\circ\text{C}$ 3 A
実効順電流 R.M.S. Forward Current	$I_{F(RMS)}$	4.71	A
サージ順電流 Surge Forward Current	I_{FSM}	45 50Hz正弦半波、1サイクル、非くり返し 50Hz Half Sine Wave, 1cycle, Non-repetitive	A
動作接合温度範囲 Operating Junction Temperature Range	T_{jw}	$-40\sim+150^\circ\text{C}$	$^\circ\text{C}$
保存温度範囲 Storage Temperature Range	T_{stg}	$-40\sim+150^\circ\text{C}$	$^\circ\text{C}$

OUTLINE DRAWING(mm)



APPROX. NET WEIGHT:0.35g

電氣的・熱的特性 Electrical/Thermal Characteristics

Item	Symbol	Conditions	Min.	Typ.	Max.	Unit
ピーク逆電流 Peak Reverse Current	I_{RM}	$T_j=25^\circ\text{C}, V_{RM}=V_{RRM}$	—	—	20	μA
ピーク順電圧 Peak Forward Voltage	V_{FM}	$T_j=25^\circ\text{C}, I_{FM}=3\text{A}$	—	—	1.25	V
逆回復時間 Reverse Recovery Time	trr	$I_{FM}=3\text{A}, -di/dt=50\text{A}/\mu\text{s}, T_j=25^\circ\text{C}$	—	—	30	ns
熱抵抗 Thermal Resistance	$R_{th(j-a)}$	接合部・周囲間 Junction to Ambient	—	—	80	$^\circ\text{C}/\text{W}$
	$R_{th(j-c)}$	接合部・ケース間 Junction to Case	—	—	6	$^\circ\text{C}/\text{W}$

* Soldering Lands = 2 × 3.5 mm Both Sides

定格・特性曲線

