

3A Avg.

60 Volts

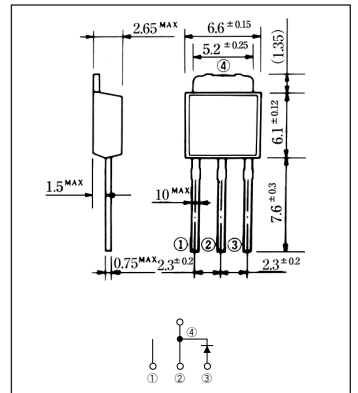
SBD

EA30QS06

■最大定格 Maximum Ratings

| Item | Symbol | Conditions | Unit |
|--|--------------|--|----------------------------------|
| くり返しピーク逆電圧 Repetitive Peak Reverse Voltage | V_{RRM} | 60 | V |
| 非くり返しピーク逆電圧 Non-repetitive Peak Reverse Voltage | V_{RSM} | 65 | V |
| 平均整流電流 Average Rectified Forward Current | I_O | 50Hz、正弦半波通電抵抗負荷 50Hz Half Sine Wave Resistive Load | $T_a=36^\circ\text{C}$ 1.3 A |
| | | | $T_c=123^\circ\text{C}$ 3.0 A |
| 実効順電流 R.M.S. Forward Current | $I_{F(RMS)}$ | 4.71 | A |
| サージ順電流 Surge Forward Current | I_{FSM} | 45 50Hz正弦半波、1サイクル、非くり返し 50Hz Half Sine Wave, 1cycle, Non-repetitive | A |
| 動作接合温度範囲 Operating Junction Temperature Range | T_{jw} | -40~+150 | $^\circ\text{C}$ |
| 保存温度範囲 Storage Temperature Range | T_{stg} | -40~+150 | $^\circ\text{C}$ |

■OUTLINE DRAWING(mm)



■APPROX. NET WEIGHT:0.35g

■電氣的・熱的特性 Electrical/Thermal Characteristics

| Item | Symbol | Conditions | Min. | Typ. | Max. | Unit |
|--------------------------------|---------------|--|------|------|------|---------------------------|
| ピーク逆電流 Peak Reverse Current | I_{RM} | $T_j=25^\circ\text{C}, V_{RM}=V_{RRM}$ | — | — | 3 | mA |
| ピーク順電圧 Peak Forward Voltage | V_{FM} | $T_j=25^\circ\text{C}, I_{FM}=3\text{A}$ | — | — | 0.58 | V |
| 熱抵抗 Thermal Resistance | $R_{th(j-a)}$ | 接合部・周囲間 Junction to Ambient | — | — | 80 | $^\circ\text{C}/\text{W}$ |
| | $R_{th(j-c)}$ | 接合部・ケース間 Junction to Case | — | — | 6 | $^\circ\text{C}/\text{W}$ |

* Print Land=20×20mm

■定格・特性曲線

