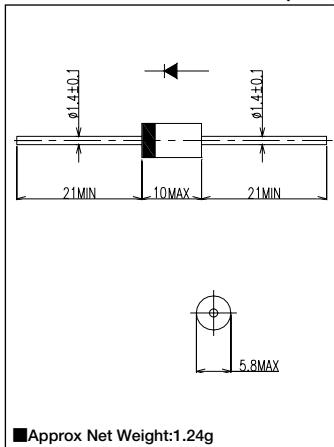


# 3A Avg. 200 Volts Standard Recovery Diode 30PDA20

## ■最大定格 Maximum Ratings

Item	Symbol	Conditions	Unit
くり返しピーク逆電圧 Repetitive Peak Reverse Voltage	$V_{RRM}$	200	V
平均整流電流 Average Rectified Output Current	$I_O$	50Hz 正弦半波抵抗負荷 50Hz half sine wave Resistance load	1.6 A
実効順電流 R.M.S. Forward Current	$I_{F(RMS)}$	$T_a=31^{\circ}C^{*1}$ $T_l=124^{\circ}C$ $T_l$ : Lead Temperature	3.0 A
サージ順電流 Surge Forward Current	$I_{FSM}$	4.71	A
動作接合温度範囲 Operating Junction Temperature Range	$T_{jw}$	100 50Hz正弦半波, 1サイクル, 非くり返し 50Hz Half Sine Wave, 1cycle, Non-repetitive	A
保存温度範囲 Storage Temperature Range	$T_{stg}$	-40~+150	$^{\circ}C$
		-40~+150	$^{\circ}C$

## ■OUTLINE DRAWING(mm)



## ■電氣的・熱的特性 Electrical/Thermal Characteristics

Item	Symbol	Conditions	Min.	Typ.	Max.	Unit
ピーク逆電流 Peak Reverse Current	$I_{RM}$	$T_j=25^{\circ}C, V_{RM}=V_{RRM}$	—	—	10	$\mu A$
ピーク順電圧 Peak Forward Voltage	$V_{FM}$	$T_j=25^{\circ}C, I_{FM}=3A$	—	—	1.0	V
熱抵抗 Thermal Resistance	$R_{th(j-a)}$	接合部・周囲間*1 Junction to Ambient	—	—	80	$^{\circ}C/W$
	$R_{th(j-l)}$	接合部・リード間 Junction to Lead	—	—	8	$^{\circ}C/W$

\*1: 単体フィン無し / Without Fin or P.C. Board mounted

## ■定格・特性曲線

