

Single Phase Bridge Rectifier

Features

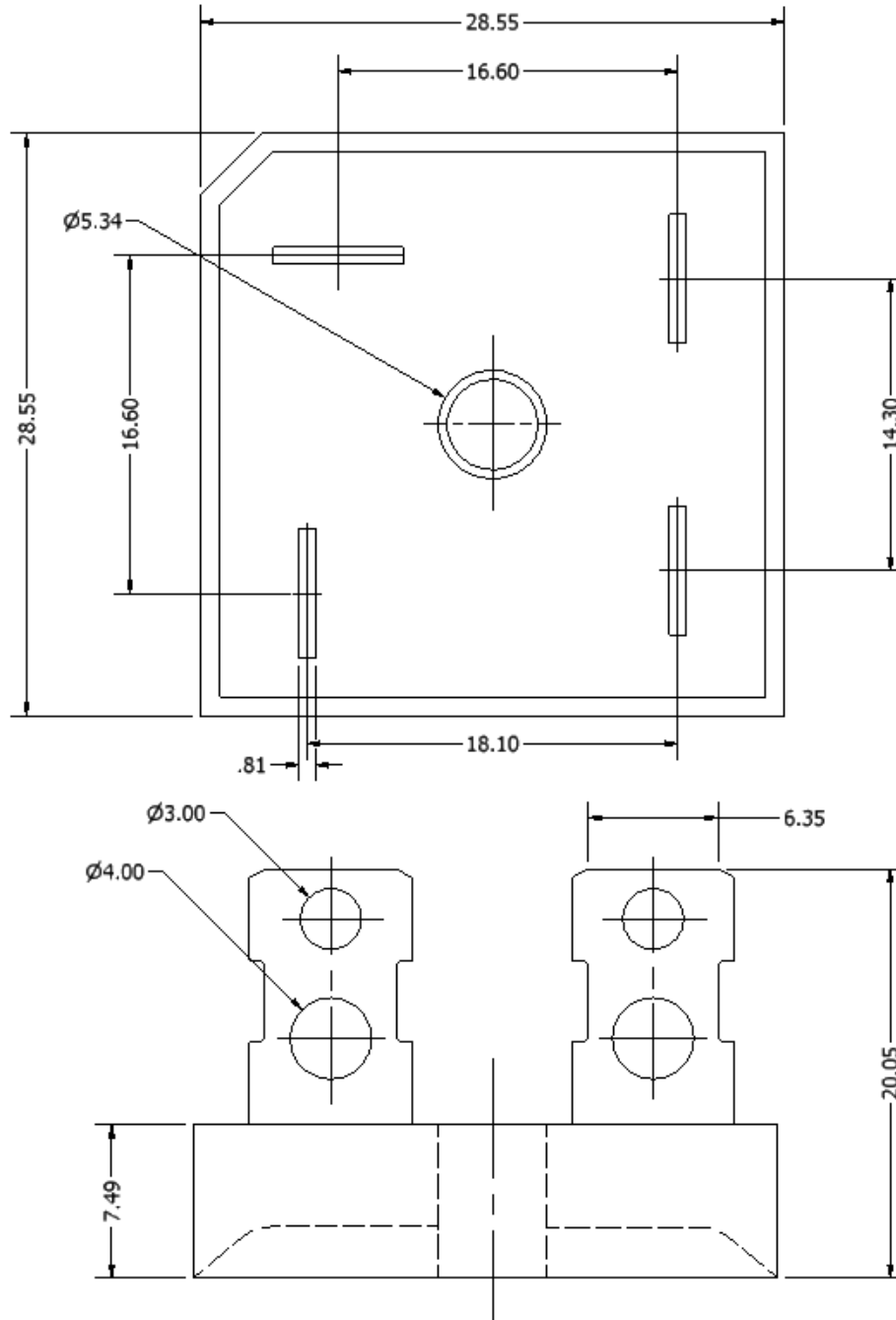
- Glass passivated chip junction
- Surge capability of 150 A
- High efficiency
- Electrically isolated metal case for maximum heat dissipation
- Mounting: thru hole for # 6 screw

| Thermal and Mechanical Specifications ($T_A = 25^{\circ}\text{C}$ unless otherwise noted) | | | |
|--|------------------|---------------|--------------------|
| Parameters | Symbol | Values | Units |
| Maximum operating junction temperature range | T_J | - 55 to + 125 | $^{\circ}\text{C}$ |
| Maximum storage temperature range | T_{Stg} | - 55 to + 150 | $^{\circ}\text{C}$ |
| Approximate weight | W_T | 30 | g |



GBPC

| Voltage Ratings ($T_A = 25^{\circ}\text{C}$ unless otherwise noted) | | | | | | | | | | |
|--|-----------------------------|----------------|-----|-----|-----|-----|-----|------|-------|---------------|
| Parameter | Symbol | 10MB | | | | | | | Units | |
| Maximum repetitive peak reverse voltage | V_{RRM} | 50 | 100 | 200 | 400 | 600 | 800 | 1000 | V | |
| Maximum RMS voltage | V_{RMS} | 35 | 70 | 140 | 280 | 420 | 560 | 700 | V | |
| Maximum DC blocking voltage | V_{DC} | 50 | 100 | 200 | 400 | 600 | 800 | 1000 | V | |
| Maximum average forward output current | $I_{\text{F(AV)}}$ | 10.0 | | | | | | | A | |
| Peak forward surge current (10ms) single half sine-wave superimposed on rated load | I_{FSM} | 150 | | | | | | | A | |
| Maximum DC forward voltage drop per element @ 7.5 A | V_{F} | 1.1 | | | | | | | V | |
| Maximum DC reverse current at rated DC blocking voltage per element | $T_A = 25^{\circ}\text{C}$ | I_{R} | 5.0 | | | | | | | μA |
| | $T_A = 125^{\circ}\text{C}$ | | 500 | | | | | | | |



ALL DIMENSIONS ARE IN MM