

Fast Recovery Diodes (Stud Version)

Features

- Diffused Series
- Industrial grade
- Available in Normal and Reverse polarity
- Optional Avalanche Characteristic

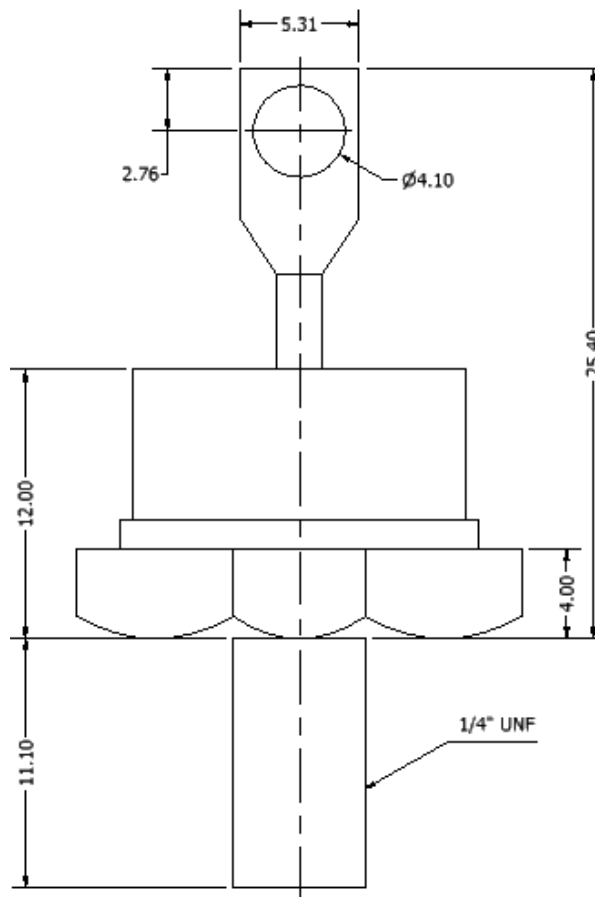
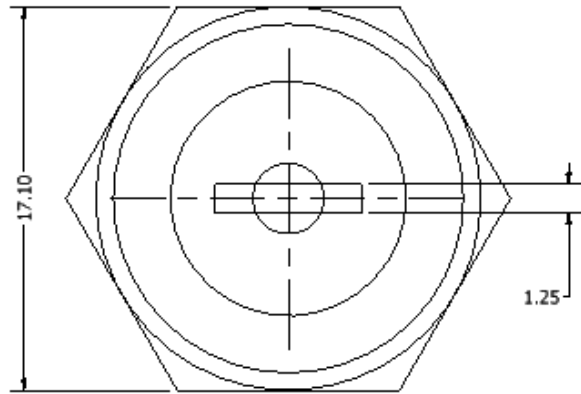
| Electrical Specifications ($T_E = 25^{\circ}\text{C}$, unless otherwise noted) | | | |
|--|--|--------|------------------------|
| Symbol | Parameters | Values | Units |
| $I_{F(AV)}$ | Maximum avg. forward current @ $T_E = 150^{\circ}\text{C}$ | 40 | A |
| V_{FM} | Maximum peak forward voltage drop @ rated $I_{F(AV)}$ | 1.5 | V |
| I_{FSM} | Maximum peak one cycle (non-rep) surge current @ 10 msec | 420 | A |
| I_{FRM} | Maximum peak repetitive surge current | 200 | A |
| I^2t | Maximum I^2t rating (non-rep) for 5 to 10 msec | 800 | A^2sec |
| T_{rr} | Reverse recovery time | 300 | ns |



DO-203AB (DO-5)

| Electrical Ratings ($T_E = 25^{\circ}\text{C}$, unless otherwise noted) | | | | | | |
|---|--------------|---|--|---|-------------------------------------|--|
| Type number | Voltage Code | V_{RRM} , Maximum repetitive peak reverse voltage (V) | $V_{R(RMS)}$, Maximum RMS reverse voltage (V) | V_R , Maximum DC blocking voltage (V) | Recommended RMS working voltage (V) | $I_{R(AV)}$, Maximum avg. reverse leakage current (μA) |
| 40NSF(R) | 10 | 100 | 70 | 100 | 40 | 100 |
| | 20 | 200 | 140 | 200 | 80 | |
| | 40 | 400 | 280 | 400 | 160 | |
| | 60 | 600 | 420 | 600 | 240 | |
| | 80 | 800 | 560 | 800 | 320 | |
| | 100 | 1000 | 700 | 1000 | 400 | |
| | 120 | 1200 | 840 | 1200 | 480 | |
| | 140 | 1400 | 980 | 1400 | 560 | |
| | 160 | 1600 | 1120 | 1600 | 640 | |

| Thermal & Mechanical Specifications ($T_E = 25^{\circ}\text{C}$, unless otherwise noted) | | | |
|--|--|-------------------------|-----------------------------|
| Symbol | Parameters | Values | Units |
| $R_{th(jc)}$ | Maximum thermal resistance, junction to case | 1.3 | $^{\circ}\text{C}/\text{W}$ |
| T_J | Operating junction temperature range | -65 to 150 | $^{\circ}\text{C}$ |
| T_{stg} | Storage temperature | -65 to 200 | $^{\circ}\text{C}$ |
| | Mounting torque (non-lubricated threads) | 0.14 (min) - 0.17 (max) | |
| W | Approximate allowable weight | 7 | g |



ALL DIMENSIONS ARE IN MM