

Standard Recovery Diodes (Stud and Flat Base Type), 125A

Features

- Diffused Series
- High Current Surge Capability
- Available in Normal and Reverse polarity
- Metric and UNF thread type

| Electrical Specifications ($T_A = 25^\circ\text{C}$, unless otherwise noted) | | | |
|--|--|--------|------------------------|
| Symbol | Parameters | Values | Units |
| $I_{F(AV)}$ | Maximum avg. forward current @ $T_A = 150^\circ\text{C}$ | 125 | A |
| V_{FM} | Maximum peak forward voltage drop @ rated $I_{F(AV)}$ | 1.3 | V |
| I_{FSM} | Maximum peak one cycle (non-rep) surge current @ 10 msec | 2600 | A |
| I_{FRM} | Maximum peak repetitive surge current | 6100 | A |
| I^2t | Maximum I^2t rating (non-rep) for 5 to 10 msec | 30000 | A^2sec |

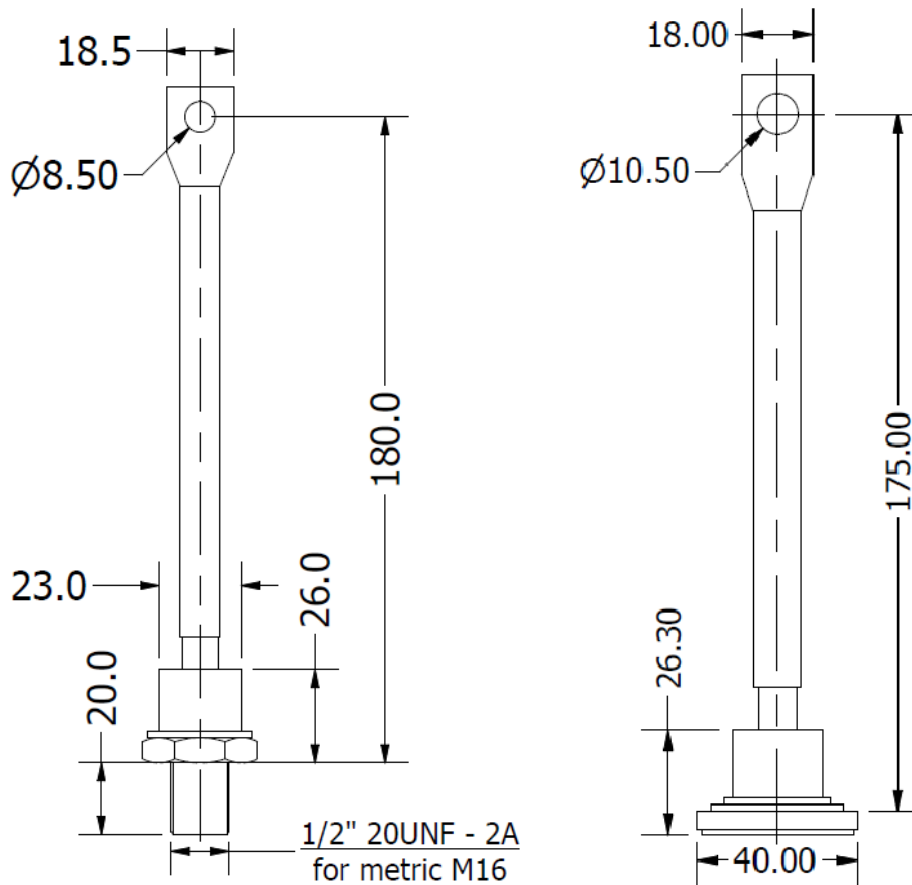


DO-205AA (DO-8)

| Voltage Ratings ($T_A = 25^\circ\text{C}$, unless otherwise noted) | | | | | | |
|--|--------------|---|--|---|-------------------------------------|--|
| Type number | Voltage Code | V_{RRM} , Maximum repetitive peak reverse voltage (V) | $V_{R(RMS)}$, Maximum RMS reverse voltage (V) | V_R , Maximum DC blocking voltage (V) | Recommended RMS working voltage (V) | $I_{R(AV)}$, Maximum avg. reverse leakage current (μA) |
| 125NS(R) | 10 | 100 | 70 | 100 | 40 | 200 |
| | 20 | 200 | 140 | 200 | 80 | |
| | 40 | 400 | 280 | 400 | 160 | |
| | 60 | 600 | 420 | 600 | 240 | |
| | 80 | 800 | 560 | 800 | 320 | |
| | 100 | 1000 | 700 | 1000 | 400 | |
| | 120 | 1200 | 840 | 1200 | 480 | |
| | 140 | 1400 | 980 | 1400 | 560 | |
| | 160 | 1600 | 1120 | 1600 | 640 | |

| Thermal & Mechanical Specifications ($T_A = 25^\circ\text{C}$, unless otherwise noted) | | | |
|--|--|-----------------------|---------------------------|
| Symbol | Parameters | Values | Units |
| $R_{th(jc)}$ | Maximum thermal resistance, junction to case | 0.3 | $^\circ\text{C}/\text{W}$ |
| T_J | Operating junction temperature range | -65 to 150 | $^\circ\text{C}$ |
| T_{stg} | Storage temperature | -65 to 200 | $^\circ\text{C}$ |
| F | Mounting torque (non-lubricated threads) | 2.0 (min) – 3.0 (max) | |
| W | Approximate allowable weight | 150 | G |

Package Outline



ALL DIMENSIONS IN MM

Ordering Table

| 125 | NS | R | 120 |
|-----|----|---|-----|
| 1 | 2 | 3 | 4 |

- 1 – Current Rating = $I_F (AV)$
- 2 – Rectifier Diode
- 3 – Polarity:
 - > None = Normal (Cathode to Stud)
 - > R = Reverse (Anode to Stud)
- 4 – Voltage Code x 10 = V_{RRM} (See Voltage Ratings Table)