



# OVEN Industries

## ELECTRONIC CONTROL SOLUTIONS

### 5CX-754 ANALOG AC CONTROLLER

Versatile and economical temperature controllers with 120VAC rated SPDT relay outputs that can handle 10A making them ideal for controlling valves, solenoids, and contactors for heating/cooling systems. Availability of both sets of contacts makes them suitable for high or low alarm applications. The transformer provides isolation between the sensor and input voltage and the ability to control temperatures from  $-30^{\circ}$  to  $+225^{\circ}\text{C}$  in multiple ranges allows these thermistor sensing controllers to be utilized in a wide variety of OEM applications.

#### FEATURES

- Economical Price
- Input to Output Isolation
- SPDT Relay Output
- ON/OFF Control Mode
- Thermistor Input
- On-Board Temperature Adjustment
- Output Circuit Fuse Protected
- Snap-In Mounting Frame
- Terminal Strip Connections
- Ease of Installation
- Heating, Cooling, Alarms Application Ready

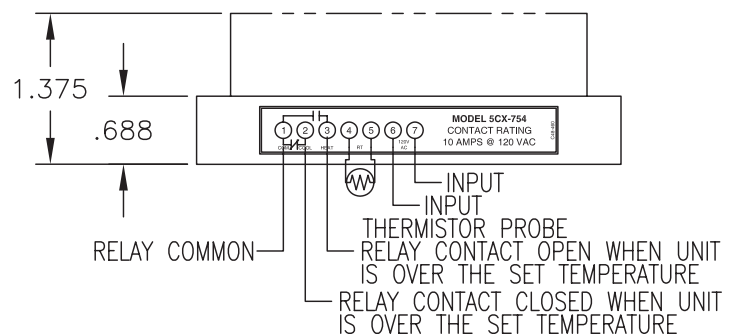
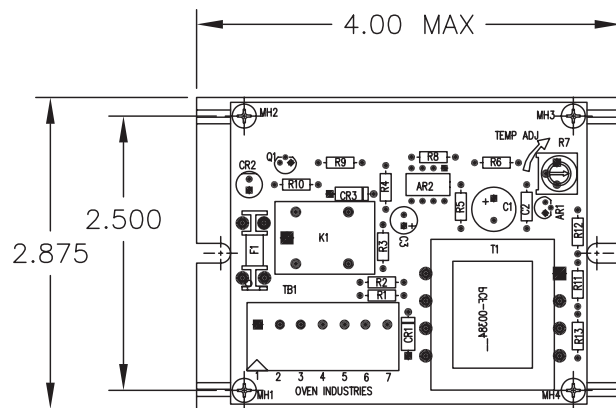
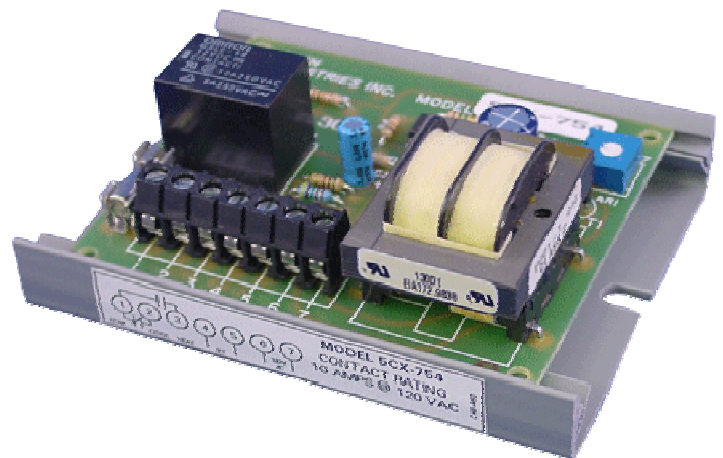
#### SPECIFICATIONS

- Input Voltage: 120VAC  $\pm 10\%$  @ 60Hz
- Temp. Range:  $-30^{\circ}$  to  $225^{\circ}\text{C}$ , 5 Overlapping Ranges
- Ambient Temp Range:  $0^{\circ}$  to  $70^{\circ}\text{C}$
- Load Current: 10A max
- Control Mode: On/Off with  $2^{\circ}\text{C}$  Switching Hysteresis
- Set Point Adjustment: Single Turn Potentiometer
- Set Point Stability: Will Not Exceed  $1^{\circ}\text{C}$
- Terminations: 16-22 AWG Wire
- 1.375" H x 4.00" W x 2.875" D
- Customer Drawing: C48-229

#### ACCESSORIES

- Sensor Input: NTC Thermistor, 185K $\Omega$  to 600 $\Omega$ 

TS67	(15K)	$-20^{\circ}$ to $110^{\circ}\text{C}$
TS91	(10K)	$-30^{\circ}$ to $104^{\circ}\text{C}$
TS104	(50K)	$0^{\circ}$ to $150^{\circ}\text{C}$
TS136	(15K)	$-20^{\circ}$ to $110^{\circ}\text{C}$
TS165	(231.5K)	$30^{\circ}$ to $225^{\circ}\text{C}$



CONTACT US AT **877-766-OVEN** FOR DETAILED DRAWINGS AND PRICING OR VISIT **WWW.OVENIND.COM**