



OVEN Industries

ELECTRONIC CONTROL SOLUTIONS

5CX-500 ANALOG AC CONTROLLER

Input voltage flexibility allows for single unit stocking even with multiple voltage requirements. This proportional, zero firing controller is designed to accept NTC thermistor sensors with a range of 150K Ω to 600 Ω . The temperature range extends from -30° to 225°C. The controller is designed for use in ambient operating temperatures from -20° to 50°C and for use with resistive heater loads up to 15 Amps. Proportional bandwidth is adjustable from 1° to 10°C via an internal potentiometer. Noise immunity is designed into the controller to prevent damage by voltage disturbances in an industrial environment.



FEATURES

- 100 to 260VAC Input Range
- Full proportional with zero voltage firing
- Voltage Isolation to case
- Wide temp range
- No PC required for setup
- Enclosed design
- Low Cost

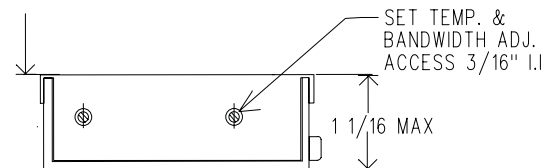
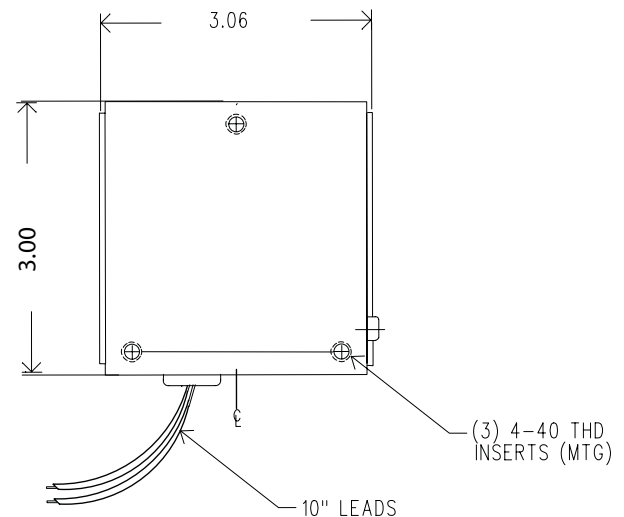
SPECIFICATIONS

- Input Voltage: 100 to 260VAC 50/60Hz
- Temp. Range: -30° to 225°C
- Ambient Temp Range: -20° to 50°C
- Load Current: 15A max
- Set Point Adjustment: Multi-turn Potentiometer
- Set Point Stability: 0.05°C
- Proportional Bandwidth: 1° to 10°C
- 1.06" H x 3.06" W x 3.70" D
- Customer Drawing: C46-224

ACCESSORIES

- Sensor Input: NTC Thermistor, 150K Ω to 600 Ω

TS67	(15K)	-20° to 110°C
TS91	(10K)	-30° to 104°C
TS104	(50K)	0° to 150°C
TS136	(15K)	-20° to 110°C
TS165	(231.5K)	35° to 225°C



CONTACT US AT **877-766-OVEN** FOR DETAILED DRAWINGS AND PRICING OR VISIT **WWW.OVENIND.COM**