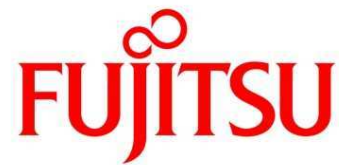


Low Drive Voltage SFF 40Gbps LN Modulator



General Descriptions

- 40Gbps Mach-Zehnder modulator using Ti-diffused LiNbO₃ waveguide technology
- Small Size: 64mm package length
- Low drive voltage: Max. 3.5V at 43 Gbps in Single drive
- Separated DC bias port
- Built-in monitor PD for auto bias control
- RoHS compliant
- Applications:
 - 40Gbps DWDM optical transmission systems
 - Measurement equipment for high speed telecommunications

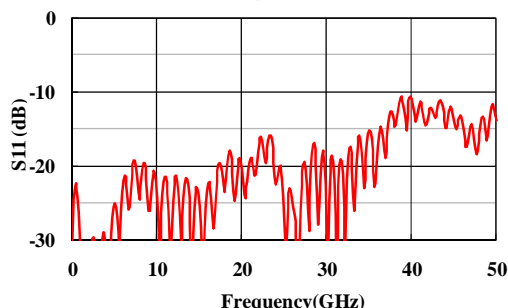
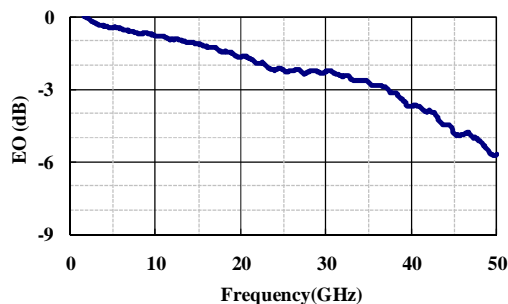


Specifications

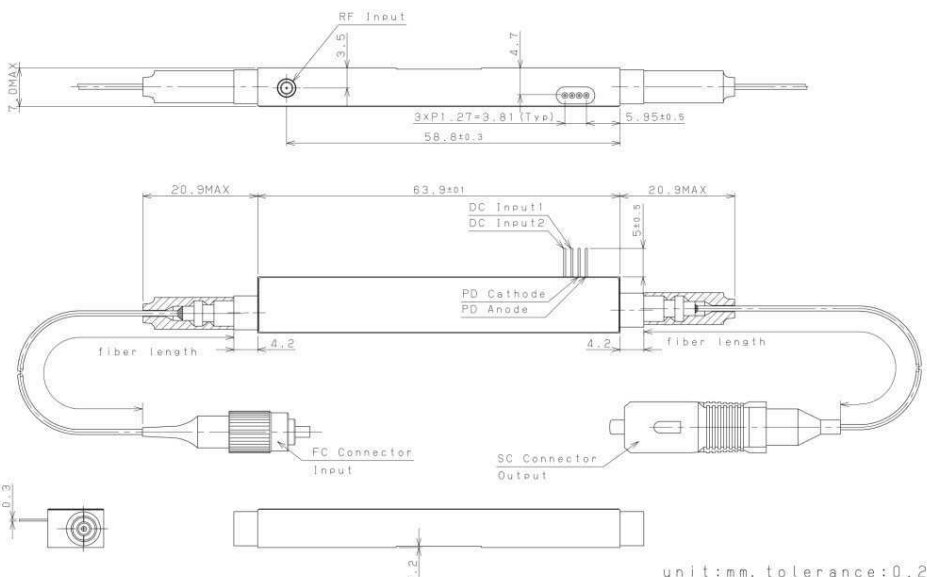
Part Number	FTM7939EK
Modulation Format	NRZ/ODB(*1)/DPSK
Optical Bandwidth (-3dB)	≥ 25 GHz
Operating Wavelength	1530 to 1610 nm
Driving Voltage ($V\pi$) @40Gbps	≤ 3.5 V
Extinction Ratio at Low Frequency	≥ 20 dB
Insertion Loss	≤ 8.0 dB
α Parameter (Typ.)	0
RF impedance (Typ.)	50 ohm
Operating Case Temperature	-5 to 75 °C
Package size	64 x 10 x 7.0 mm/2.52 x 0.39 x 0.27 inches

*1) ODB=Optical Duo-Binary

RF performance



Mechanical Dimension



Fujitsu Optical Components Limited

Sales Department, Sales & Business Development Division

1-1 Kamikodanaka 4-chome, Nakahara-ku, Kawasaki, 211-8588, Japan (Company Mail No. H0913)

Tel: +81-44-754-3086, Fax: +81-44-754-3598

E-mail: optmdl-sales2@ml.css.fujitsu.com

<http://jp.fujitsu.com/foc/en/>

Specifications are subject to change without prior notice.