

# 8-bit Proprietary Microcontroller

CMOS

## F<sup>2</sup>MC-8L MB89930B Series

# MB89935B/P935B/PV930A

### ■ DESCRIPTION

The MB89930B series is a line of single-chip microcontrollers. In addition to a compact instruction set, the microcontrollers contain a variety of peripheral functions such, timers, a serial interface, an A/D converter and an external interrupt.

Note : F<sup>2</sup>MC is the abbreviation of FUJITSU Flexible Microcontroller.

### ■ FEATURES

- Models that support + 125 °C
- MB89600 Series CPU core
- Maximum memory space : 64 Kbytes
- Minimum execution time : 0.4 μs/10 MHz
- Interrupt processing time : 3.6 μs/10 MHz
- I/O ports : Max 21channels
- 21-bit timebase timer
- 8-bit PWM timer
- 8/16-bit capture timer/counter
- 10-bit A/D converter : 8 channels
- UART
- 8-bit serial I/O
- External interrupt 1 : 3 channels
- External interrupt 2 : 8 channels
- Wild Register : 2 bytes
- Low-power consumption modes ( sleep mode and stop mode)
- SSOP-30 and MQFP-48 package
- CMOS Technology

For the information for microcontroller supports, see the following web site.

<http://edevice.fujitsu.com/micom/en-support/>

# MB89930B Series

## ■ PRODUCT LINEUP

Part number Parameter	MB89935B	MB89P935B	MB89PV930A
Classification	Mass production product (mask ROM product)	One-time PROM product (for small-scale production)	Piggyback/evaluation product (for development)
ROM size	16 K × 8 bits (internal mask ROM)	16 K × 8 bits (internal PROM)	32 K × 8 bits (external EPROM)
RAM size	512 × 8 bits		
CPU functions	Number of instructions : Instruction bit length : Instruction length : Data bit length : Minimum execution time : Interrupt processing time :	136 8 bits 1 to 3 bytes 1, 8, 16 bits 0.4 μs to 6.4 μs (10 MHz) 3.6 μs to 57.6 μs (10 MHz)	
Ports	General-purpose I/O ports (CMOS) : 21 (also serve as peripherals ) (4 ports are also an N-ch open-drain type.)		
21-bit time base timer	21-bit Interrupt cycle : 0.82 ms, 3.3 ms, 26.2 ms, or 419.4 ms with 10-MHz main clock		
Watchdog timer	Reset generation cycle : 419.4 ms minimum with 10-MHz main clock		
8-bit PWM timer	8-bit interval timer operation (square output capable, operating clock cycle : 0.4 μs , 3.2 μs, 6.4 μs, 25.6 μs) 8-bit resolution PWM operation (conversion cycle : 102.4 μs to 26.84 s : in the selection of internal shift clock of 8/16-bit capture timer) Count clock selectable between 8-bit and 16-bit timer/counter outputs		
8/16-bit capture timer/counter	8-bit capture timer/counter × 1 channel + 8-bit timer or 16-bit capture timer/counter × 1 channel Capable of event count operation and square wave output using external clock input with 8-bit timer 0 or 16-bit counter		
UART	Transfer data length : 6/7/8 bits		
8-bit Serial I/O	8 bits LSB first/MSB first selectable One clock selectable from four operation clocks (one external shift clock, three internal shift clocks : 0.8 μs, 6.4 μs, 25.6 μs)		
12-bit PPG timer	Output frequency : Pulse width and cycle selectable		
External interrupt 1 (wake-up function)	3 channels (Interrupt vector, request flag, request output enabled) Edge selectable (Rising edge, falling edge, or both edges) Also available for resetting stop/sleep mode (Edge detectable even in stop mode)		
External interrupt 2 (wake-up function)	1 channel with 8 inputs (Independent L-level interrupt and input enable) Also available for resetting stop/sleep mode (Level detectable even in stop mode)		

(Continued)

(Continued)

Part number Parameter	MB89935B	MB89P935B	MB89PV930A
10-bit A/D converter	10-bit precision × 8 channels A/D conversion function (Conversion time : 15.2 μs/10 MHz) Continuous activation by 8/16-bit timer/counter output or time-base timer counter		
Wild Register	8-bit × 2		
Standby mode	Sleep mode and Stop mode		
*Power supply Voltage	2.2 V to 5.5 V	3.0 V to 5.5 V	2.7 V to 5.5 V

\* : The minimum operating voltage varies with the operating frequency, the function, and the connected ICE.

## ■ PACKAGE AND CORRESPONDING PRODUCTS

Package	MB89935B	MB89P935B	MB89PV930A
FPT-30P-M02	○	○	×*
MQP-48C-P01	×	×	○

○ : Available    × : Not available

\* : Adapter for 48-pin to 30-pin conversion

## ■ DIFFERENCES AMONG PRODUCTS

### 1. Memory Size

Before evaluating using the piggyback product, verify its differences from the product that will actually be used.

### 2. Current Consumption

In the case of the MB89PV930A, add the current consumed by the EPROM which is connected to the top socket.

### 3. Mask Options

Functions that can be selected as options and how to designate these options vary by the product. Before using options check section “■ MASK OPTIONS” Take particular care on the following points :

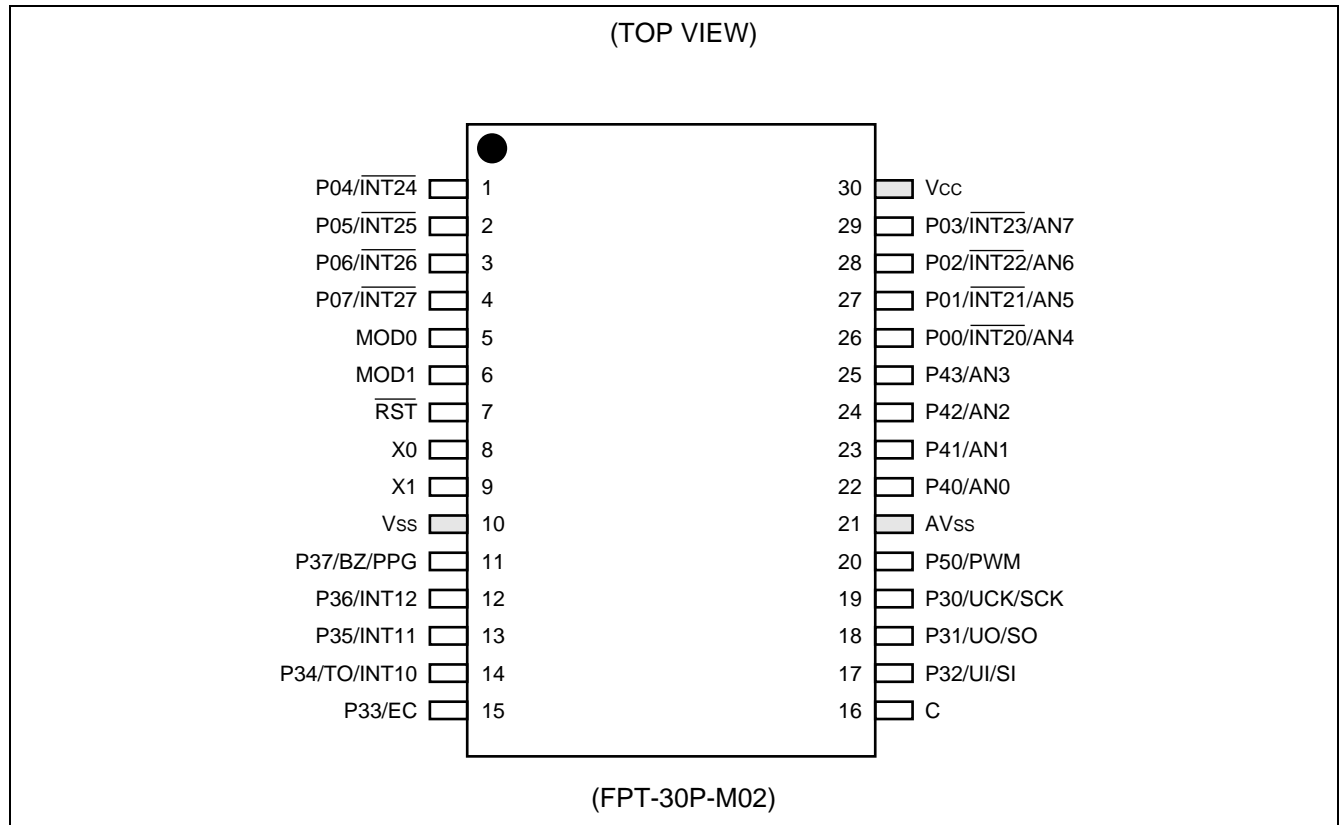
Options are fixed on the MB89PV930A and MB89P935B.

### 4. Difference between MB89935A and MB89935B

MB89935B is different from MB89935A in that the internal circuit and oscillator have been changed and the radiated noise and current consumption while oscillation is active is reduced. For details of the characteristics of current consumption, see “■ EXAMPLE CHARACTERISTICS”.

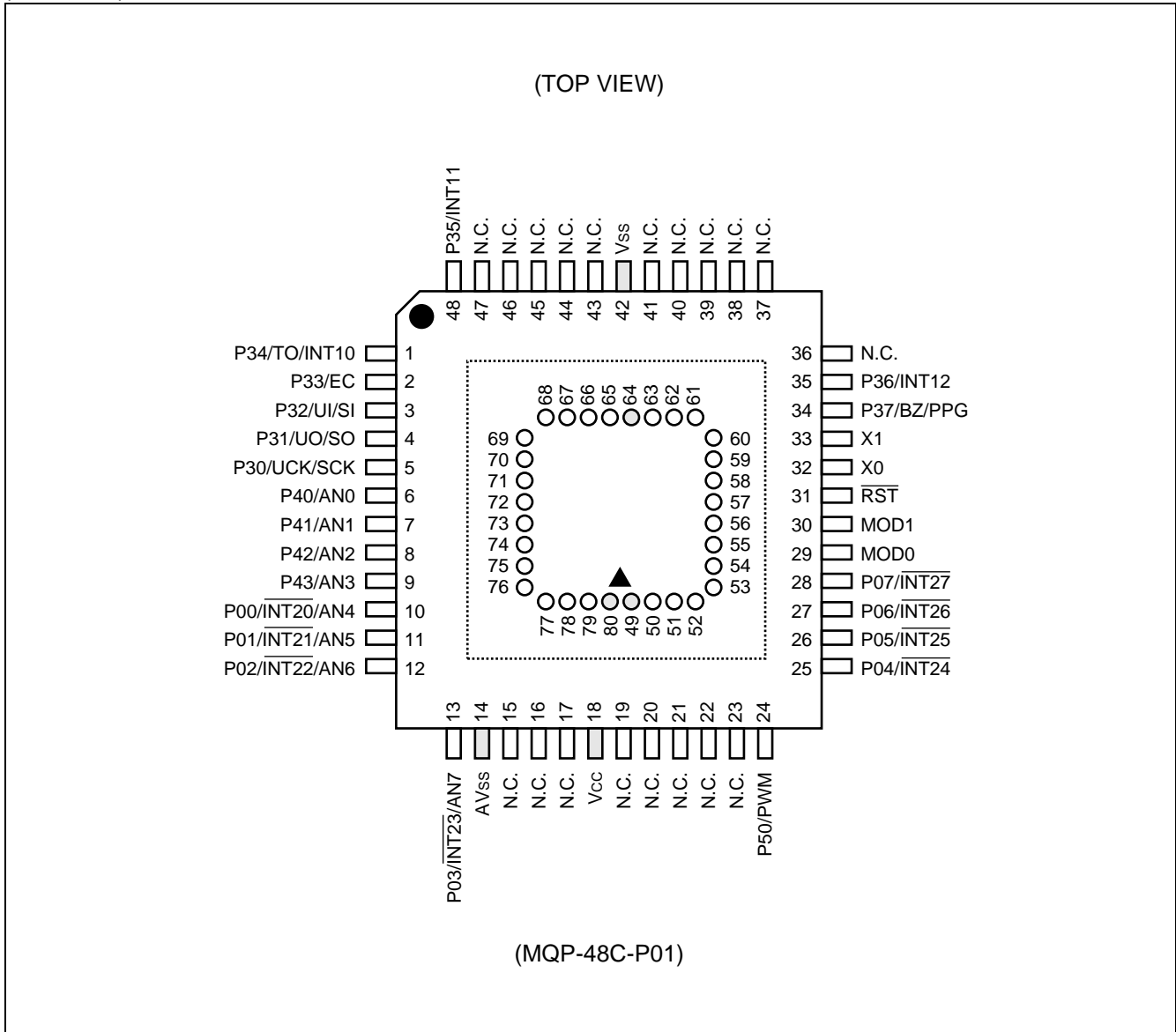
# MB89930B Series

## ■ PIN ASSIGNMENT



(Continued)

(Continued)



Pin no.	Pin name	Pin no.	Pin name	Pin no.	Pin name	Pin no.	Pin name
49	V <sub>PP</sub>	57	N.C.	65	O4	73	OE
50	A12	58	A2	66	O5	74	N.C.
51	A7	59	A1	67	O6	75	A11
52	A6	60	A0	68	O7	76	A9
53	A5	61	O1	69	O8	77	A8
54	A4	62	O2	70	CE	78	A13
55	A3	63	O3	71	A10	79	A14
56	N.C.	64	V <sub>SS</sub>	72	N.C.	80	V <sub>CC</sub>

N.C. : Internally connected. Do not use.

# MB89930B Series

## ■ PIN DESCRIPTION

Pin No.		Pin name	Circuit type	Function
SSOP*1	MQFP*2			
8	32	X0	A	Pins for connecting the crystal resonator for the main clock. To use an external clock, input the signal to X0 and leave X1 open.
9	33	X1		
5	29	MOD0	B	Memory access mode setting input pins. Connect the pin directly to Vss.
6	30	MOD1		
7	31	$\overline{RST}$	C	Reset I/O pin. This pin serves as an N-channel open-drain output with pull-up resistor and a hysteresis input as well. The pin outputs the "L" signal (optionally) in response to an internal reset request. Also, it initializes the internal circuit upon input of the "L" signal.
26 to 29	10 to 13	P00/ $\overline{INT20}$ /AN4 to P03/ $\overline{INT23}$ /AN7	G	General-purpose CMOS I/O ports. These pins also serve as an input (wake-up input) of external interrupt 2 or as an A/D converter analog input. The input of external interrupt 2 is a hysteresis input.
1 to 4	25 to 28	P04/ $\overline{INT24}$ to P07/ $\overline{INT27}$	D	General-purpose CMOS I/O ports. These pins also serve as an input (wake-up input) of external interrupt 2. The input of external interrupt 2 is a hysteresis input.
19	5	P30/U $\overline{CK}$ /SCK	D	General-purpose CMOS I/O ports. This pin also serves as the clock I/O pin for the UART or 8-bit serial I/O. The resource is a hysteresis input.
18	4	P31/U $\overline{O}$ /SO	E	General-purpose CMOS I/O ports. This pin also serves as the data output pin for the UART or 8-bit serial I/O.
17	3	P32/U $\overline{I}$ /SI	E	General-purpose CMOS I/O ports. This pin also serves as the data input pin for the UART or 8-bit serial I/O.
15	2	P33/EC	D	General-purpose CMOS I/O ports. This pin also serves as the external clock input pin for the 8/16-bit capture timer/counter. The resource is a hysteresis input.
14	1	P34/T $\overline{O}$ /INT10	D	General-purpose CMOS I/O ports. This pin also serves as the output pin for the 8/16-bit capture timer/counter or as the input pin for external interrupt 1. The resource is a hysteresis input.
13, 12	48, 35	P35/INT11, P36/INT12	D	General-purpose CMOS I/O ports. These pins also serve as the input pin for external interrupt 1. The resource is a hysteresis input.

(Continued)

\*1 : FPT-30P-M02

\*2 : MQP-48C-P01

# MB89930B Series

(Continued)

Pin No.		Pin name	Circuit type	Function
SSOP*1	MQFP*2			
11	34	P37/BZ/PPG	E	General-purpose CMOS I/O ports. This pin also serves as the buzzer output pin or the 12-bit programmable pulse generator output.
20	24	P50/PWM	E	General-purpose CMOS I/O ports. This pin also serves as the 8-bit PWM output pin. The pin is a hysteresis input.
22 to 25	6 to 9	P40/AN0 to P43/AN3	F	General-purpose CMOS I/O ports. These pins can also be used as N-channel open-drain ports. The pins also serve as A/D converter analog input pins.
30	18	V <sub>cc</sub>	—	Power supply pin
10	42	V <sub>ss</sub>	—	Power (GND) pin
21	14	AV <sub>ss</sub>	—	Power supply pin for the A-D converter. Apply equal potential to this pin and the V <sub>ss</sub> pin.
16	—	C	—	MB89P935B: Capacitance pin for regulating the power supply. Connect an external ceramic capacitor of about 0.1 μF. MB89935B: This pin is not internally connected. It is unnecessary to connect a capacitor.
—	15,16,17, 19,20,21, 22,23,36, 37,38,39, 40,41,43, 44,45,46, 47	N.C.	—	Internally connected pins Be sure to leave them open.

\*1 : FPT-30P-M02

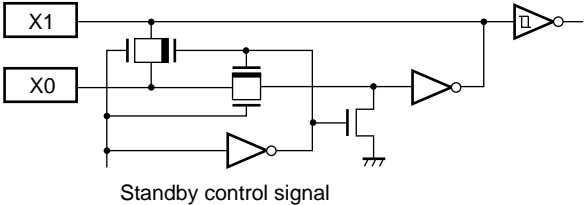

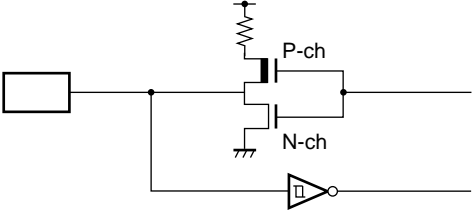
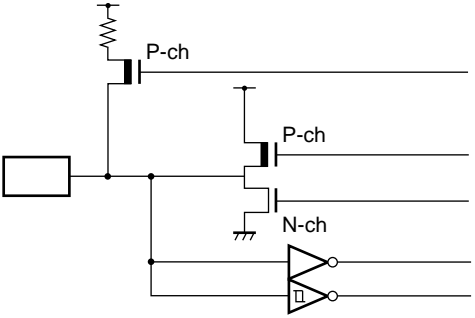
\*2 : MQP-48C-P01

# MB89930B Series

## ■ EXTERNAL EPROM PIN DESCRIPTION (MB89PV930A only)

Pin No.	Pin name	I/O	Function
49	V <sub>PP</sub>	O	"H" level output pin
50 51 52 53 54 55 58 59 60	A12 A7 A6 A5 A4 A3 A2 A1 A0	O	Address output pins
61 62 63	O1 O2 O3	I	Data input pins
64	V <sub>SS</sub>	O	Power supply (GND) pin
65 66 67 68 69	O4 O5 O6 O7 O8	I	Data input pins
70	CE	O	ROM chip enable pin Outputs "H" during standby.
71	A10	O	Address output pin
73	OE	O	ROM output enable pin Outputs "L" at all times.
75 76 77 78 79	A11 A9 A8 A13 A14	O	Address output pins
80	V <sub>CC</sub>	O	EPROM power supply pin
56 57 72 74	N.C.	—	Internally connected pins Be sure to leave them open.

## ■ I/O CIRCUIT TYPE

Type	Circuit	Remarks
A	 <p>Standby control signal</p>	<ul style="list-style-type: none"> <li>• At an oscillation feedback resistance of approximately 1 MΩ</li> </ul>
B		<ul style="list-style-type: none"> <li>• Hysteresis input</li> </ul>
C	 <p>P-ch N-ch</p>	<ul style="list-style-type: none"> <li>• At an output pull-up resistor (P-ch) of approximately 50 kΩ/5.0 V</li> <li>• Hysteresis input</li> </ul>
D	 <p>P-ch P-ch N-ch</p>	<ul style="list-style-type: none"> <li>• CMOS output</li> <li>• CMOS input</li> <li>• Hysteresis input (Resource input)</li> <li>• Pull-up resistor optional</li> </ul>

(Continued)

# MB89930B Series

(Continued)

Type	Circuit	Remarks
E		<ul style="list-style-type: none"> <li>• CMOS output</li> <li>• CMOS input</li> <li>• Pull-up resistor optional</li> </ul>
F		<ul style="list-style-type: none"> <li>• CMOS output</li> <li>• CMOS input</li> <li>• Analog input</li> <li>• N-ch open-drain output available</li> </ul>
G		<ul style="list-style-type: none"> <li>• CMOS output</li> <li>• CMOS input</li> <li>• Hysteresis input (Resource input)</li> <li>• Analog input</li> </ul>

## ■ HANDLING DEVICES

### 1. Preventing Latchup

Latchup may occur on CMOS ICs if voltage higher than  $V_{CC}$  or lower than  $V_{SS}$  is applied to input and output pins other than medium- and high-voltage pins or if higher than the voltage which shows on “1. Absolute Maximum Ratings” in section “■ ELECTRICAL CHARACTERISTICS” is applied between  $V_{CC}$  and  $V_{SS}$ .

When latchup occurs, power supply current increases rapidly and might thermally damage elements. When using, take great care not to exceed the absolute maximum ratings.

Also, take care to prevent the analog input from exceeding the digital power supply ( $V_{CC}$ ) when the analog system power supply is turned on and off.

### 2. Treatment of Unused Input Pins

Leaving unused input terminals open may lead to permanent damage due to malfunction and latchup; pull up or pull down the terminals through the resistors of 2 k $\Omega$  or more.

Make the unused I/O terminal in a state of output and leave it open and if it is in an input state, handle it with the same procedure as the input terminals.

### 3. Treatment of N.C. Pins

Be sure to leave (internally connected) N.C. pins open.

### 4. Power Supply Voltage Fluctuations

Although  $V_{CC}$  power supply voltage is assured to operate within the rated range, a rapid fluctuation of the voltage could cause malfunctions, even if it occurs within the rated range. Stabilizing voltage supplied to the IC is therefore important. As stabilization guidelines, it is recommended to control power so that  $V_{CC}$  ripple fluctuations (P-P value) will be less than 10% of the standard  $V_{CC}$  value at the commercial frequency (50 to 60 Hz) and the transient fluctuation rate will be less than 0.1 V/ms at the time of a momentary fluctuation such as when power is switched.

### 5. Treatment of Power Supply Pins on Microcontrollers with A/D Converters

Connect to be  $AV_{SS} = V_{SS}$  even if the A/D converters are not in use.

### 6. Precautions when Using an External Clock

When an external clock is used, oscillation stabilization time is required even for power-on reset (optional) and wake-up from stop mode.

### 7. About the Wild Register Function

No wild register can be debugged on the MB89PV930A. For the operation check, test the MB89P935B installed on a target system.

### 8. Program Execution in RAM

When the MB89PV930A is used, no program can be executed in RAM.

### 9. Note to Noise in the External Reset Pin ( $\overline{RST}$ )

If the reset pulse applied to the external reset pin ( $\overline{RST}$ ) does not meet the specifications, it may cause malfunctions. Use caution so that the reset pulse less than the specifications will not be fed to the external reset pin ( $\overline{RST}$ ).

# MB89930B Series

## 10. Voltage Step-down Circuit Stabilization Time

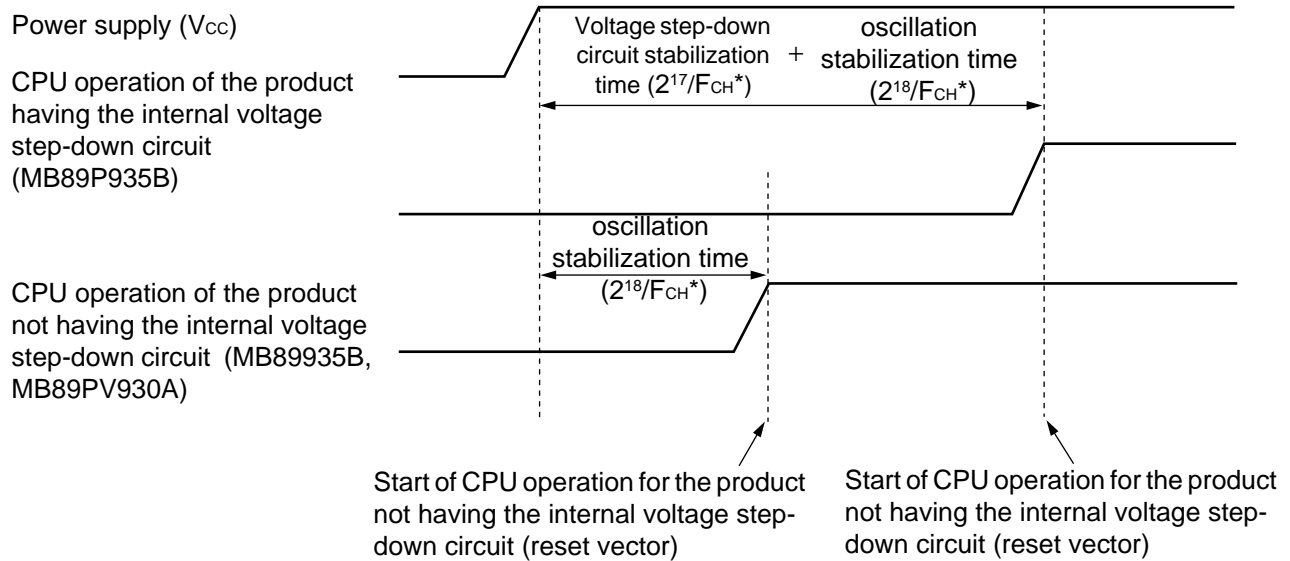
MB89930B series contains the following products and the operating characteristics vary with whether they contain the internal step-down circuit.

Part number	Operating voltage	Voltage step-down circuit
MB89935B	2.2 V to 5.5 V	Not included
MB89P935B	3.0 V to 5.5 V	Included
MB89PV930A	2.7 V to 5.5 V	Not included

The same built-in resources are used for the above product types; operating sequences after the power-on reset are different depending on whether they have the internal voltage step-down circuit.

The operating sequences after the power-on reset with the different models will be described below.

- Operating sequences after the power-on reset with the different models



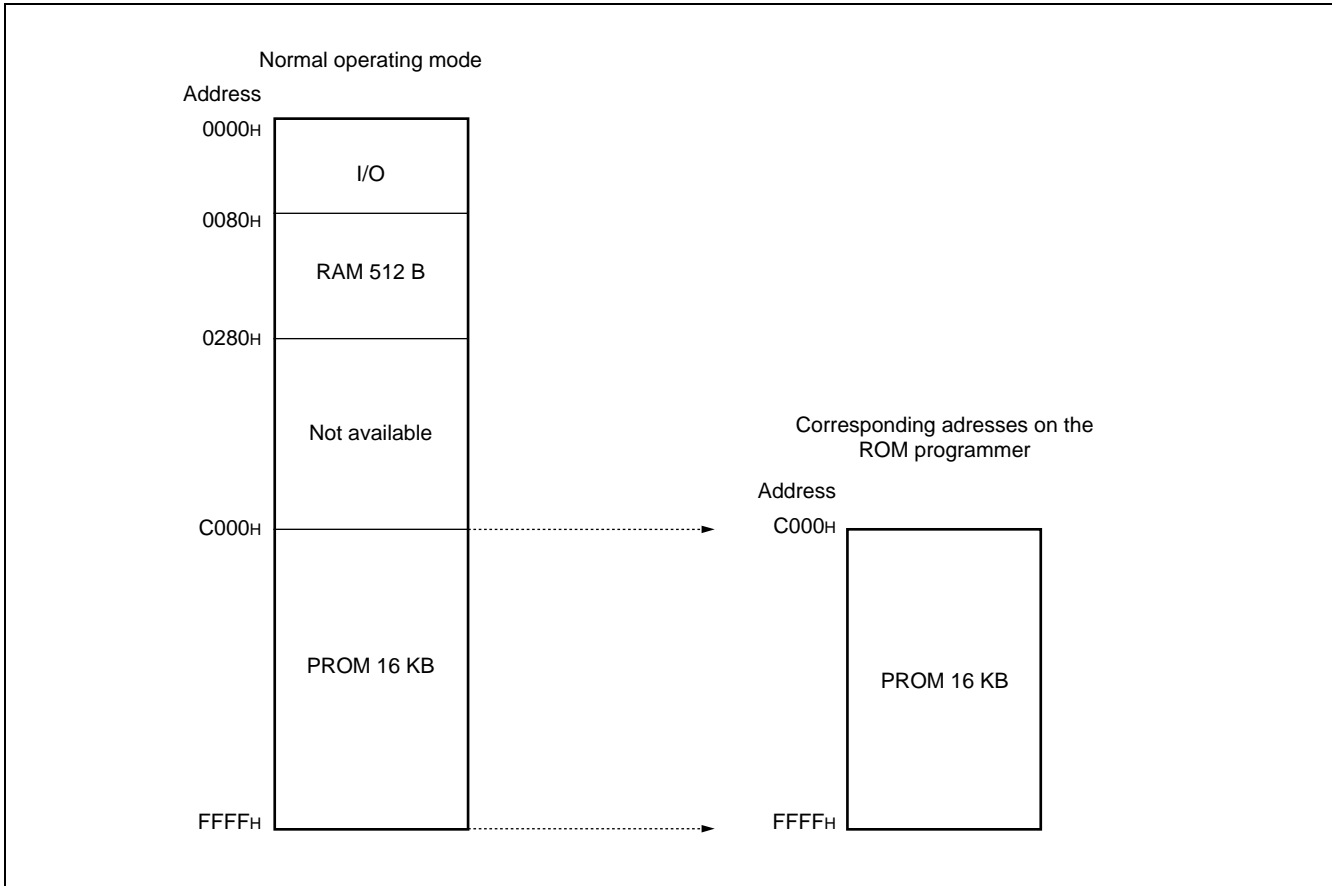
\* :  $F_{CH}$  : Crystal oscillator frequency

As described above, CPU starts at delayed time with the product having the internal voltage step-down circuit compared with the product not having the internal voltage step-down circuit. This is because the time should be allowed for the stabilization time for voltage step-down circuit for normal operation.

- 11. If used exceeding  $T_a = +85\text{ }^\circ\text{C}$ , be sure to contact sales representatives for reliability limitations.

## PROGRAMMING TO THE PROM WITH MB89P935B

### 1. Memory Space



### 2. Programming to the PROM

To program to the PROM using an EPROM programmer.

Note : Programming to the PROM with MB89P935B is serial programming mode only.

### 3. Programming Adaptor for PROM

To program to the PROM using an EPROM programmer, use the programming adapter.

### 4. Programming Yield

All bits cannot be programmed at Fujitsu shipping test to a blanked PROM microcomputer, due to its nature. For this reason, a programming yield of 100% cannot be assured at all times.

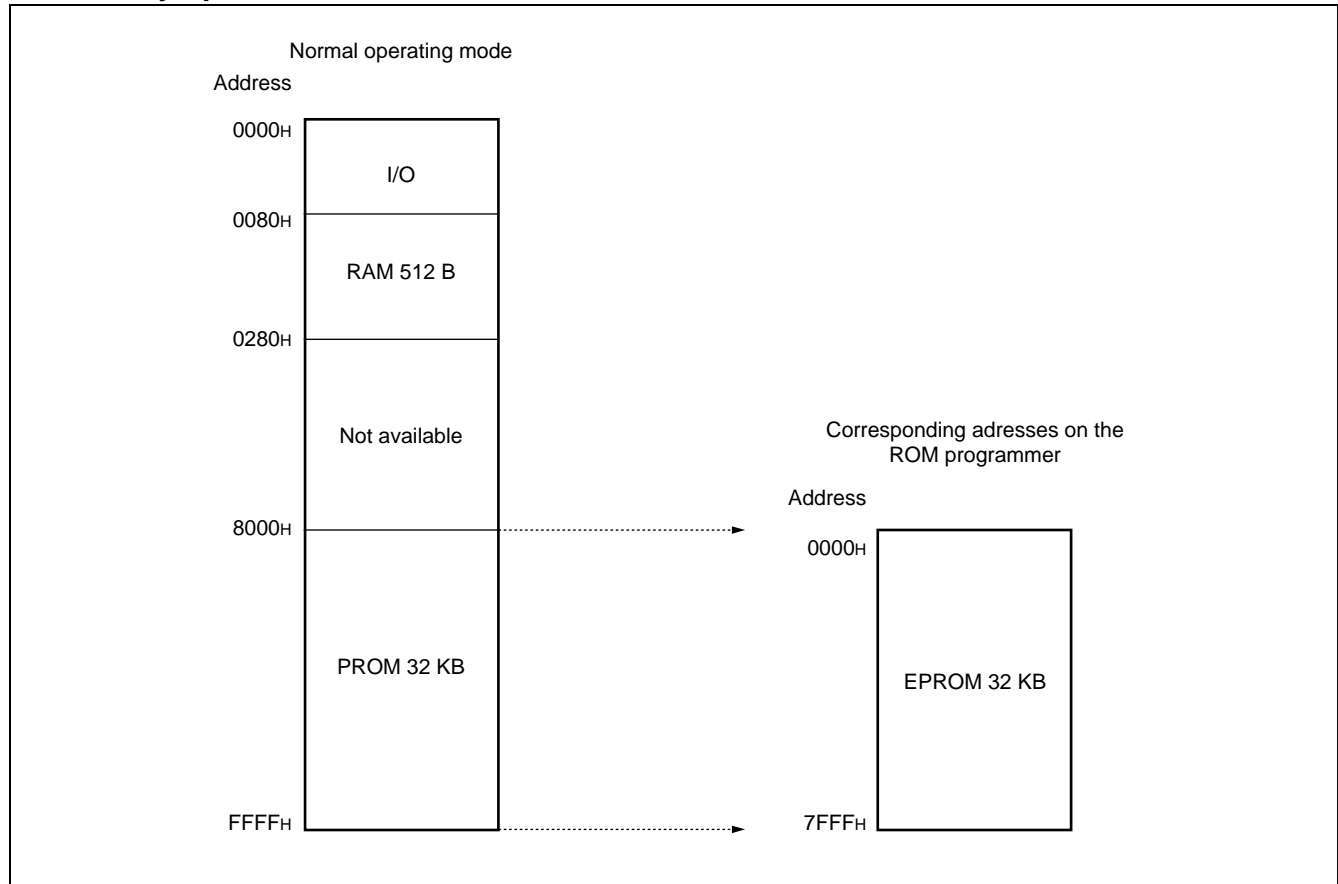
# MB89930B Series

## ■ PROGRAMMING TO THE EPROM WITH PIGGYBACK/EVALUATION DEVICE

### 1. EPROM for Use

MBM27C256A-20TVM

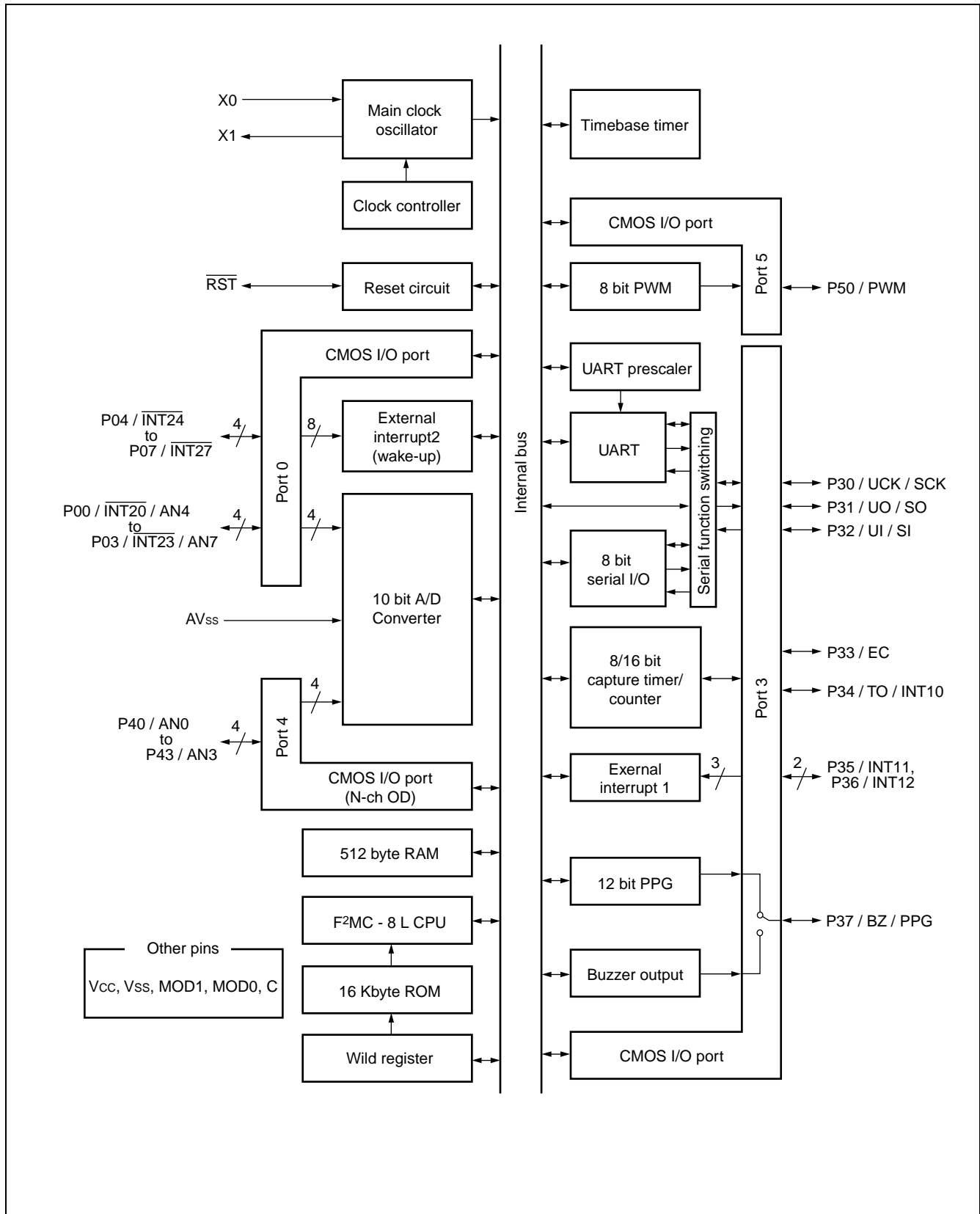
### 2. Memory Space



### 3. Programming to the EPROM

- (1) Set the EPROM programmer to the MBM27C256A.
- (2) Load program data into the EPROM programmer at 0000H to 7FFFH.
- (3) Program to 0000H to 7FFFH with the EPROM programmer.

## ■ BLOCK DIAGRAM

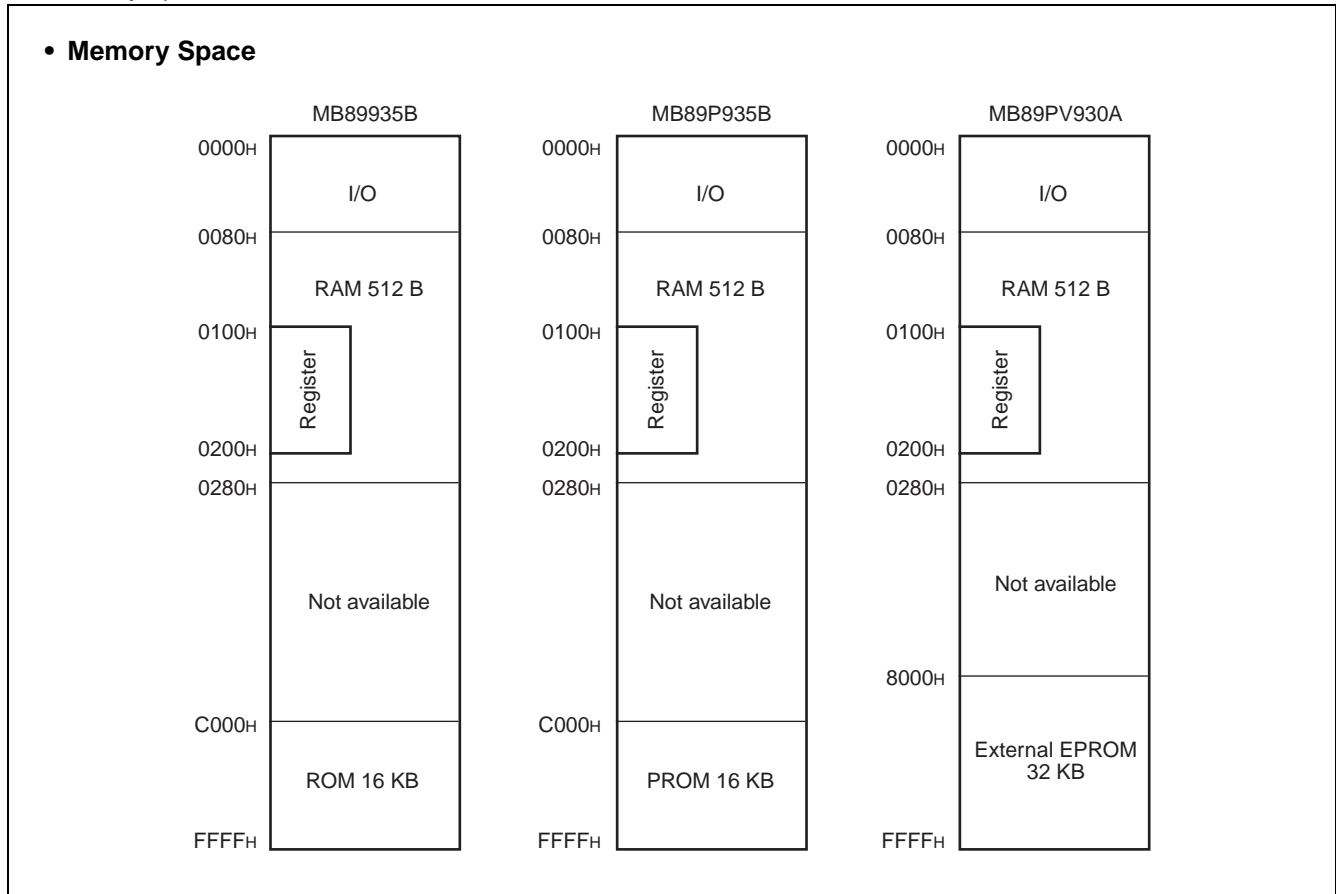


# MB89930B Series

## ■ CPU CORE

### 1. Memory Space

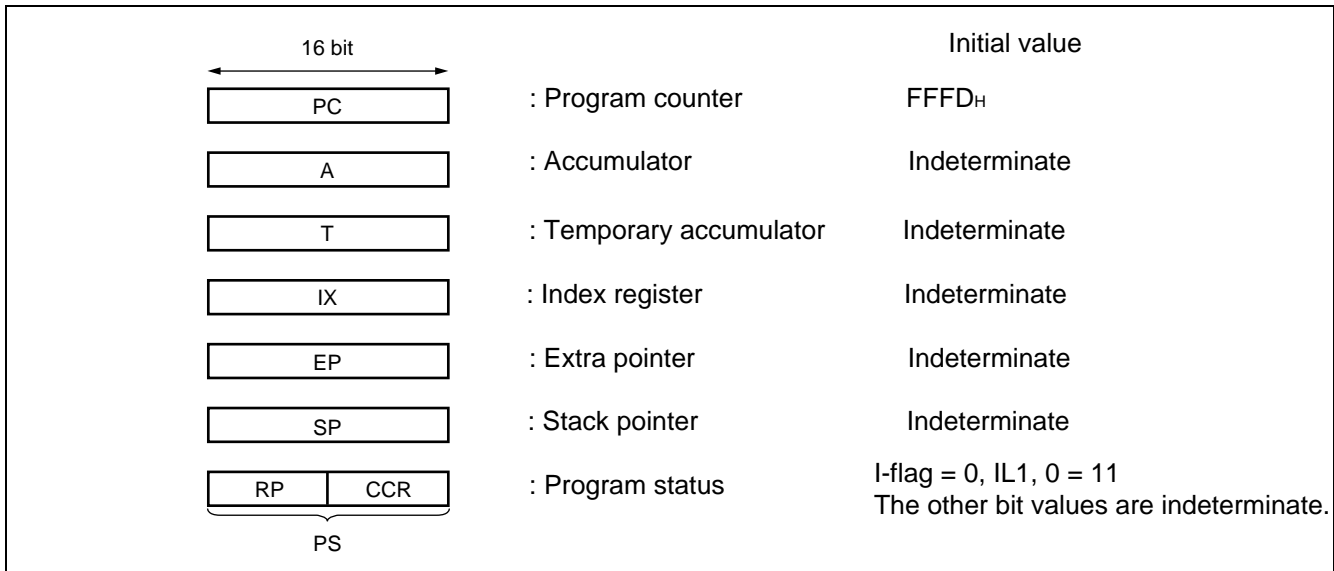
The microcontrollers of the MB89930B series offer a memory space of 64 Kbytes for storing all of I/O, data, and program areas. The I/O area is located at the lowest address. The data area is provided immediately above the I/O area. The data area can be divided into register, stack, and direct areas according to the application. The program area is located at exactly the opposite end, that is, near the highest address. Provide the tables of interrupt reset vectors and vector call instructions toward the highest address within the program area. The memory space of the MB89930B series is structured as illustrated below.



## 2. Registers

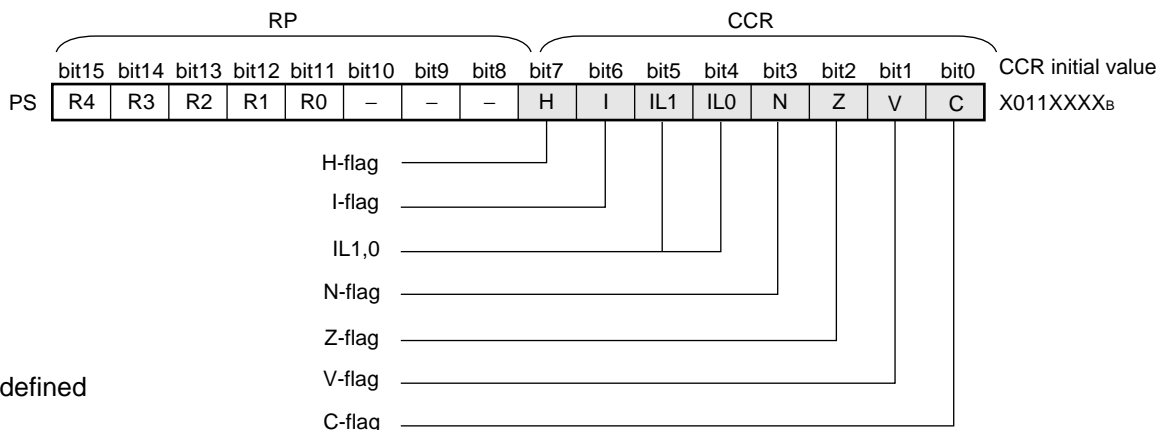
The MB89930B series has two types of registers; dedicated registers in the CPU and general-purpose registers in the memory. The following dedicated registers are provided :

- Program counter (PC) : A 16-bit register for indicating instruction storage positions
- Accumulator (A) : A 16-bit temporary register for storing arithmetic operations, etc. When the instruction is an 8-bit data processing instruction, the lower byte is used.
- Temporary accumulator (T) : A 16-bit register which performs arithmetic operations with the accumulator  
When the instruction is an 8-bit data processing instruction, the lower byte is used.
- Index register (IX) : A 16-bit register for index modification
- Extra pointer (EP) : A 16-bit pointer for indicating a memory address
- Stack pointer (SP) : A 16-bit register for indicating a stack area
- Program status (PS) : A 16-bit register for storing a register pointer, a condition code



The PS can further be divided into higher 8 bits for use as a register bank pointer (RP) and the lower 8 bits for use as a condition code register (CCR) . (See the diagram below.)

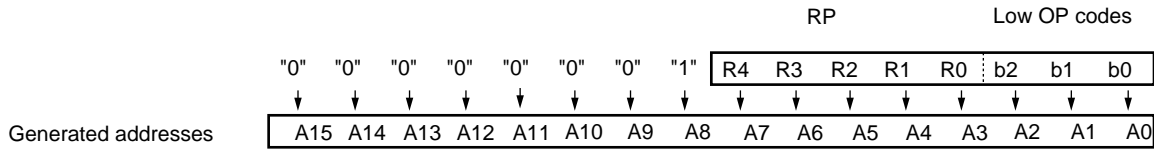
### • Structure of the Program Status Register



# MB89930B Series

The RP indicates the address of the register bank currently in use. The relationship between the pointer contents and the actual address is based on the conversion rule illustrated below.

• **Rule for Conversion of Actual Addresses of the General-purpose Register Area**



The CCR consists of bits indicating the results of arithmetic operations and the contents of transfer data and bits for control of CPU operations at the time of an interrupt.

- H-flag : Set to "1" when a carry or a borrow from bit 3 to bit 4 occurs as a result of an arithmetic operation. Cleared to "0" otherwise. This flag is for decimal adjustment instructions.
- I-flag : Interrupt is enabled when this flag is set to "1". Interrupt is disabled when the flag is cleared to "0". Cleared to "0" at the reset.
- IL1, 0 : Indicates the level of the interrupt currently allowed. Processes an interrupt only if its request level is higher than the value indicated by this bit.

IL1	ILO	Interrupt level	High-low
0	0	1	High ↑ ↓ Low = no interrupt
0	1		
1	0	2	
1	1	3	

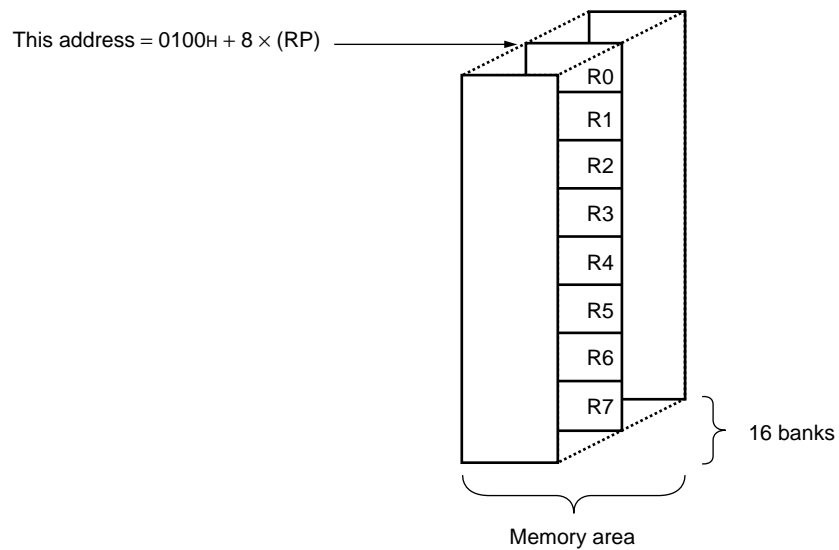
- N-flag : Set to "1" if the MSB becomes to "1" as the result of an arithmetic operation. Cleared to "0" when the bit is cleared to "0".
- Z-flag : Set to "1" when an arithmetic operation results in 0. Cleared otherwise.
- V-flag : Set to "1" if the complement on 2 overflows as a result of an arithmetic operation. Cleared to "0" if the overflow does not occur.
- C-flag : Set to "1" when a carry or a borrow from bit 7 occurs as a result of an arithmetic operation. Cleared to "0" otherwise. Set to the shift-out value in the case of a shift instruction.

The following general-purpose registers are provided :

General-purpose registers : An 8-bit register for storing data

The general-purpose registers are 8 bits and located in the register banks of the memory. One bank contains eight registers and up to a total of 16 banks can be used on the MB89930B series. The bank currently in use is indicated by the register bank pointer (RP) .

## • Register Bank Configuration



# MB89930B Series

## ■ I/O MAP

Address	Register name	Register description	Read/write	Initial value
0000 <sub>H</sub>	PDR0	Port 0 data register	R/W	X X X X X X X X
0001 <sub>H</sub>	DDR0	Port 0 data direction register	W	0 0 0 0 0 0 0 0
0002 <sub>H</sub> to 00006 <sub>H</sub>	Vacancy			
0007 <sub>H</sub>	SYCC	System clock control register	R/W	1 - - M M 1 0 0
0008 <sub>H</sub>	STBC	Standby control register	R/W	0 0 0 1 0 - - -
0009 <sub>H</sub>	WDTC	Watchdog timer control register	W	0 - - - X X X X
000A <sub>H</sub>	TBTC	Timebase timer control register	R/W	0 0 - - - 0 0 0
000B <sub>H</sub>	Vacancy			
000C <sub>H</sub>	PDR3	Port 3 data register	R/W	X X X X X X X X
000D <sub>H</sub>	DDR3	Port 3 data direction register	W	0 0 0 0 0 0 0 0
000E <sub>H</sub>	RSFR	Reset flag register	R	X X X X - - - -
000F <sub>H</sub>	PDR4	Port 4 data register	R/W	- - - - X X X X
0010 <sub>H</sub>	DDR4	Port 4 data direction register	R/W	- - - - 0 0 0 0
0011 <sub>H</sub>	OUT4	Port 4 output format register	R/W	- - - - 0 0 0 0
0012 <sub>H</sub>	PDR5	Port 5 data register	R/W	- - - - - - - X
0013 <sub>H</sub>	DDR5	Port 5 data direction register	R/W	- - - - - - - 0
0014 <sub>H</sub>	RCR21	12-bit PPG control register 1	R/W	0 0 0 0 0 0 0 0
0015 <sub>H</sub>	RCR22	12-bit PPG control register 2	R/W	- - 0 0 0 0 0 0
0016 <sub>H</sub>	RCR23	12-bit PPG control register 3	R/W	0 - 0 0 0 0 0 0
0017 <sub>H</sub>	RCR24	12-bit PPG control register 4	R/W	- - 0 0 0 0 0 0
0018 <sub>H</sub>	BZCR	Buzzer register	R/W	- - - - - 0 0 0
0019 <sub>H</sub>	TCCR	Capture control register	R/W	0 0 0 0 0 0 0 0
001A <sub>H</sub>	TCR1	Timer 1 control register	R/W	0 0 0 0 0 0 0 0
001B <sub>H</sub>	TCR0	Timer 0 control register	R/W	0 0 0 - 0 0 0 0
001C <sub>H</sub>	TDR1	Timer 1 data register	R/W	X X X X X X X X
001D <sub>H</sub>	TDR0	Timer 0 data register	R/W	X X X X X X X X
001E <sub>H</sub>	TCPH	Capture data register H	R	X X X X X X X X
001F <sub>H</sub>	TCPL	Capture data register L	R	X X X X X X X X
0020 <sub>H</sub>	TCR2	Timer output control register	R/W	- - - - - 0 0
0021 <sub>H</sub>	Vacancy			
0022 <sub>H</sub>	CNTR	PWM control register	R/W	0 - 0 0 0 0 0 0
0023 <sub>H</sub>	COMR	PWM compare register	W	X X X X X X X X
00024 <sub>H</sub>	EIC1	External interrupt 1 Control register 1	R/W	0 0 0 0 0 0 0 0

(Continued)

# MB89930B Series

Address	Register name	Register description	Read/write	Initial value
0025 <sub>H</sub>	EIC2	External interrupt 1 Control register 2	R/W	- - - - 0 0 0 0
0026 <sub>H</sub>	Vacancy			
0027 <sub>H</sub>				
0028 <sub>H</sub>	SMC	Serial mode control register	R/W	0 0 0 0 0 - 0 0
0029 <sub>H</sub>	SRC	Serial rate control register	R/W	- - 0 1 1 0 0 0
002A <sub>H</sub>	SSD	Serial status and data register	R/W	0 0 1 0 0 - 1 X
002B <sub>H</sub>	SIDR	Serial input data register	R	X X X X X X X X
	SODR	Serial output data register	W	X X X X X X X X
002C <sub>H</sub>	UPC	Clock division selection register	R/W	- - - - 0 0 1 0
002D <sub>H</sub> to 002F <sub>H</sub>	Vacancy			
0030 <sub>H</sub>	ADC1	A/D converter control register 1	R/W	- 0 0 0 0 0 0 0
0031 <sub>H</sub>	ADC2	A/D converter control register 2	R/W	- 0 0 0 0 0 0 1
0032 <sub>H</sub>	ADDH	A/D converter data register H	R/W	- - - - - X X
0033 <sub>H</sub>	ADDL	A/D converter data register L	R/W	X X X X X X X X
0034 <sub>H</sub>	ADEN	A/D enable register	R/W	0 0 0 0 0 0 0
0035 <sub>H</sub>	Vacancy			
0036 <sub>H</sub>	EIE2	External interrupt 2 control register1	R/W	0 0 0 0 0 0 0
0037 <sub>H</sub>	EIF2	External interrupt 2 control register2	R/W	- - - - - - 0
0038 <sub>H</sub>	Vacancy			
0039 <sub>H</sub>	SMR	Serial mode register	R/W	0 0 0 0 0 0 0
003A <sub>H</sub>	SDR	Serial data register	R/W	X X X X X X X X
003B <sub>H</sub>	SSEL	Serial function switching register	R/W	- - - - - - 0
003C <sub>H</sub> to 003F <sub>H</sub>	Vacancy			
0040 <sub>H</sub>	WRARH0	Upper-address setting register	R/W	X X X X X X X X
0041 <sub>H</sub>	WRARL0	Lower-address setting register	R/W	X X X X X X X X
0042 <sub>H</sub>	WRDR0	Data setting register 0	W	X X X X X X X X
0043 <sub>H</sub>	WRARH1	Upper-address setting register	R/W	X X X X X X X X
0044 <sub>H</sub>	WRARL1	Lower-address setting register	R/W	X X X X X X X X
0045 <sub>H</sub>	WRDR1	Data setting register 1	W	X X X X X X X X
0046 <sub>H</sub>	WREN	Address comparison EN register	R/W	X X X X X X 0 0
0047 <sub>H</sub>	WROR	Wild-register data test register	R/W	- - - - - 0 0
0048 <sub>H</sub> to 006F <sub>H</sub>	Vacancy			
0070 <sub>H</sub>	PUL0	Port-0 pull-up setting register	R/W	0 0 0 0 0 0 0

(Continued)

# MB89930B Series

(Continued)

Address	Register name	Register description	Read/write	Initial value
0071 <sub>H</sub>	PUL3	Port-3 pull-up setting register	R/W	0 0 0 0 0 0 0 0
0072 <sub>H</sub>	PUL5	Port-5 pull-up setting register	R/W	- - - - - - - 0
0073 <sub>H</sub> to 007A <sub>H</sub>	Vacancy			
007B <sub>H</sub>	ILR1	Interrupt level setting register1	W	1 1 1 1 1 1 1 1
007C <sub>H</sub>	ILR2	Interrupt level setting register2	W	1 1 1 1 1 1 1 1
007D <sub>H</sub>	ILR3	Interrupt level setting register3	W	1 1 1 1 1 1 1 1
007E <sub>H</sub>	ILR4	Interrupt level setting register4	W	1 1 1 1 1 1 1 1
007F <sub>H</sub>	ITR	Interrupt test register	Not available	- - - - - - 0 0

- : Unused, X : Undefined, M : Set using the mask option

Note : Do not use vacancies.

## ■ ELECTRICAL CHARACTERISTICS

### 1. Absolute Maximum Ratings

Parameter	Symbol	Value		Unit	Remarks
		Min	Max		
Power supply voltage	$V_{CC}$	$V_{SS} - 0.3$	$V_{SS} + 6.0$	V	
Input voltage	$V_I$	$V_{SS} - 0.3$	$V_{CC} + 0.3$	V	*1
Output voltage	$V_O$	$V_{SS} - 0.3$	$V_{CC} + 6.0$	V	
Maximum clamp current	$I_{CLAMP}$	-2.0	+2.0	mA	*2
Maximum total clamp current	$\Sigma I_{CLAMP} $	—	20	mA	*2
“L” level maximum output current	$I_{OL1}$	—	20	mA	Pins P40 to P43
	$I_{OL2}$	—	10	mA	Pins excluding P40 to P43
“L” level average output current	$I_{OLAV}$	—	4	mA	Average value (operating current $\times$ operating rate)
“L” level total maximum output current	$\Sigma I_{OL}$	—	100	mA	
“H” level maximum output current	$I_{OH}$	—	-10	mA	
“H” level average output current	$I_{OHAV}$	—	-2	mA	Average value (operating current $\times$ operating rate)
“H” level total maximum output current	$\Sigma I_{OH}$	—	-50	mA	
Power consumption	$P_d$	—	200	mW	
Operating temperature	$T_a$	-40	+85	°C	
		-40	+125	°C	*3
Storage temperature	$T_{stg}$	-55	+150	°C	

\*1 : If the maximum current to /from an input is limited by some means with external components, the  $I_{CLAMP}$  rating supersedes the  $V_I$  rating.

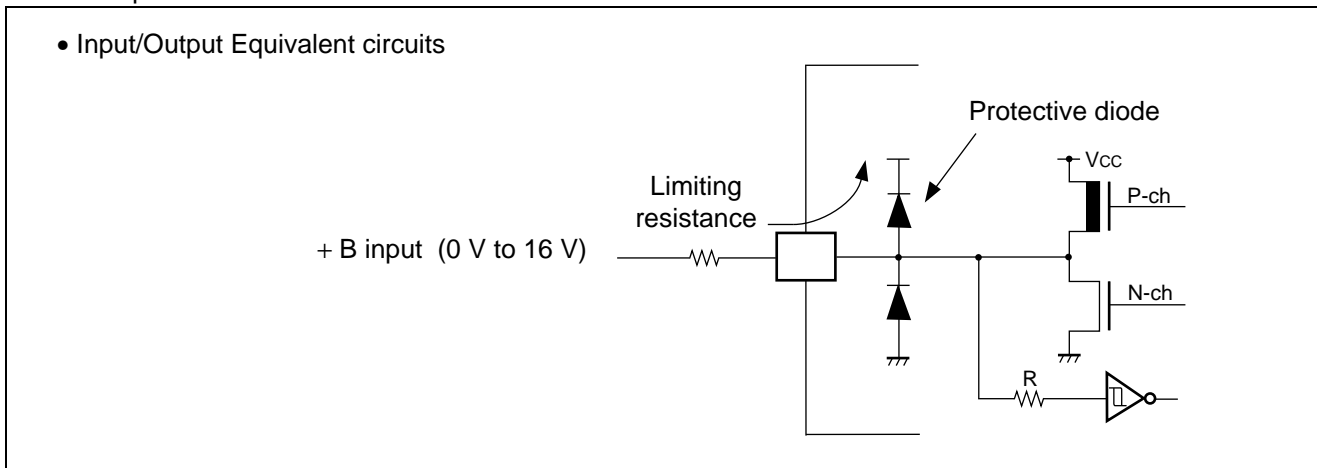
\*2 : • Applicable to pins : P00 to P07, P30 to P37, P40 to P43, P50

- Use within recommended operating conditions.
- Use at DC voltage (current)
- The +B signal should always be applied with a limiting resistance placed between the +B signal and the microcontroller.
- The value of the limiting resistance should be set so that when the +B signal is applied the input current to the microcontroller pin does not exceed rated values, either instantaneously or for prolonged periods.
- Note that when the microcontroller drive current is low, such as in the power saving modes, the +B input potential may pass through the protective diode and increase the potential at the VCC pin, and this may affect other devices.
- Note that if a +B signal is input when the microcontroller current is off (not fixed at 0 V) , the power supply is provided from the pins, so that incomplete operation may result.
- Note that if the +B input is applied during power-on, the power supply is provided from the pins and the resulting supply voltage may not be sufficient to operate the power-on result.
- Care must be taken not to leave the +B input pin open.
- Note that analog system input pins other than the A/D input pins (LCD drive pins, comparator input pins, etc.) cannot accept +B signal input.

# MB89930B Series

- Sample recommended circuits :

- Input/Output Equivalent circuits



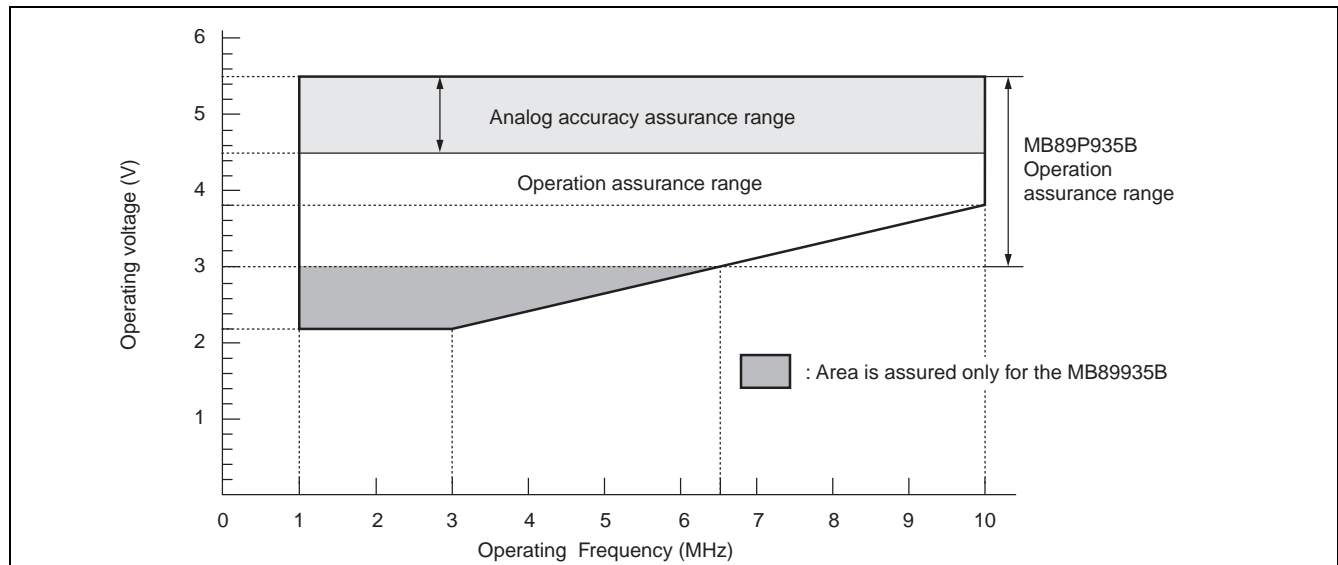
\*3 : If used exceeding  $T_a = +85\text{ }^\circ\text{C}$ , be sure to contact us for reliability limitations.

**WARNING:** Semiconductor devices can be permanently damaged by application of stress (voltage, current, temperature, etc.) in excess of absolute maximum ratings. Do not exceed these ratings.

## 2. Recommended Operating Conditions

Parameter	Symbol	Value		Unit	Remarks
		Min	Max		
Power supply voltage	$V_{CC}$	2.2	5.5	V	Normal operation assurance range MB89935B
		3.0	5.5	V	Normal operation assurance range MB89P935B
		1.5	6.0	V	Retains the RAM state in stop mode
“H” level input voltage	$V_{IH}$	$0.7 V_{CC}$	$V_{CC} + 0.3$	V	P00 to P07, P30 to P37, P40 to P43, P50, UI/SI
	$V_{IHS}$	$0.8 V_{CC}$	$V_{CC} + 0.3$	V	MOD0/MOD1, $\overline{RST}$ , EC, $\overline{INT20}$ to $\overline{INT27}$ , UCK/SCK, INT10 to INT12
“L” level input voltage	$V_{IL}$	$V_{SS} - 0.3$	$0.3 V_{CC}$	V	P00 to P07, P30 to P37, P40 to P43, P50, UI/SI
	$V_{ILS}$	$V_{SS} - 0.3$	$0.2 V_{CC}$	V	MOD0/MOD1, $\overline{RST}$ , EC, $\overline{INT20}$ to $\overline{INT27}$ , UCK/SCK, INT10 to INT12
Open-drain output pin application voltage	$V_D$	$V_{SS} - 0.3$	$V_{CC} + 0.3$	V	P40 to P43
Operating temperature	$T_a$	-40	+85	°C	
		-40	+125	°C	*

\* : If used exceeding  $T_a = +85$  °C, be sure to contact us for reliability limitations.



**WARNING:** The recommended operating conditions are required in order to ensure the normal operation of the semiconductor device. All of the device's electrical characteristics are warranted when the device is operated within these ranges.

Always use semiconductor devices within their recommended operating condition ranges. Operation outside these ranges may adversely affect reliability and could result in device failure.

No warranty is made with respect to uses, operating conditions, or combinations not represented on the data sheet. Users considering application outside the listed conditions are advised to contact their representatives beforehand.

# MB89930B Series

## 3. DC Characteristics

( $V_{CC} = 5.0 \text{ V} \pm 10\%$ ,  $AV_{SS} = V_{SS} = 0.0 \text{ V}$ ,  $F_{CH} = 10 \text{ MHz}$  (External clock),  $T_a = -40 \text{ }^\circ\text{C}$  to  $+85 \text{ }^\circ\text{C}$ )

Parameter	Symbol	Pin name	Condition	Value			Unit	Remarks	
				Min	Typ	Max			
“H” level input voltage	$V_{IH}$	P00 to P07, P30 to P37, P40 to P43, P50, UI/SI	—	$0.7 V_{CC}$	—	$V_{CC} + 0.3$	V		
	$V_{IHS}$	$\overline{RST}$ , MOD0/MOD1, UCK/SCK, EC, $\overline{INT20}$ to $\overline{INT27}$ , INT10 to INT12	—	$0.8 V_{CC}$	—	$V_{CC} + 0.3$	V		
“L” level input voltage	$V_{IL}$	P00 to P07, P30 to P37, P40 to P43, P50, UI/SI	—	$V_{SS} - 0.3$	—	$0.3 V_{CC}$	V		
	$V_{ILS}$	$\overline{RST}$ , MOD0/MOD1, UCK/SCK, EC, $\overline{INT20}$ to $\overline{INT27}$ , INT10 to INT12	—	$V_{SS} - 0.3$	—	$0.2 V_{CC}$	V		
Open-drain output pin application voltage	$V_D$	P40 to P43	—	$V_{SS} - 0.3$	—	$V_{CC} + 0.3$	V		
“H” level output voltage	$V_{OH}$	P00 to P07, P30 to P37, P40 to P43, P50	$I_{OH} = -4.0 \text{ mA}$	$V_{CC} - 0.5$	—	—	V		
“L” level output voltage	$V_{OL1}$	P00 to P07, P30 to P37, P50, $\overline{RST}$	$I_{OL} = 4.0 \text{ mA}$	—	—	0.4	V		
	$V_{OL2}$	P40 to P43	$I_{OL} = 12.0 \text{ mA}$	—	—	0.4	V		
Input leakage current	$I_{LI}$	P00 to P07, P30 to P37, P40 to P43, P50, MOD0/MOD1	$0.45 \text{ V} < V_I < V_{CC}$	—	—	$\pm 5$	$\mu\text{A}$	Without pull-up resistor	
Pull-up resistance	$R_{PULL}$	P00 to P07, P30 to P37, P50	$V_I = 0.0 \text{ V}$	25	50	100	$\text{k}\Omega$		
Power supply current	$I_{CC}$	$V_{CC}$	Normal operation mode (External clock, highest gear speed)	When A/D converter stops	—	8	12	$\text{mA}$	MB89935B
				When A/D converter starts	—	6	9	$\text{mA}$	MB89P935B
			Sleep mode (External clock, highest gear speed)	When A/D converter stops	—	10	15	$\text{mA}$	MB89935B
				When A/D converter stops	—	8	12	$\text{mA}$	MB89P935B
	$I_{CCS}$	$V_{CC}$	Sleep mode (External clock, highest gear speed)	When A/D converter stops	—	4	6	$\text{mA}$	MB89935B
				When A/D converter stops	—	3	5	$\text{mA}$	MB89P935B
$I_{CCH}$	$V_{CC}$	Stop mode $T_a = +25 \text{ }^\circ\text{C}$ (External clock)	When A/D converter stops	—	—	1	$\mu\text{A}$	MB89935B	
			When A/D converter stops	—	—	10	$\mu\text{A}$	MB89P935B	
Input capacitance	$C_{IN}$	Other than $AV_{SS}$ , $V_{CC}$ , $V_{SS}$	—	—	5	15	$\text{pF}$		

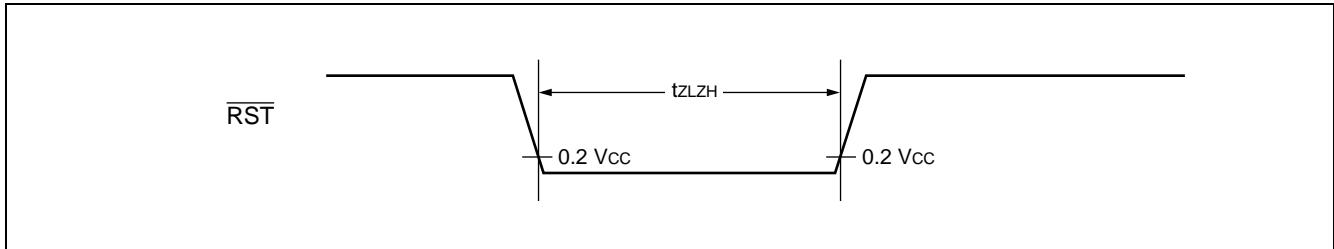
## 4. AC Characteristics

### (1) Reset Timing

( $V_{CC} = 5.0 \text{ V} \pm 10\%$ ,  $AV_{SS} = V_{SS} = 0.0 \text{ V}$ ,  $T_a = -40 \text{ }^\circ\text{C}$  to  $+85 \text{ }^\circ\text{C}$ )

Parameter	Symbol	Condition	Value		Unit	Remarks
			Min	Max		
$\overline{\text{RST}}$ "L" pulse width	$t_{\text{LZH}}$	—	48 $t_{\text{HCYL}}$	—	ns	

$t_{\text{HCYL}}$  : 1 oscillating clock cycle time

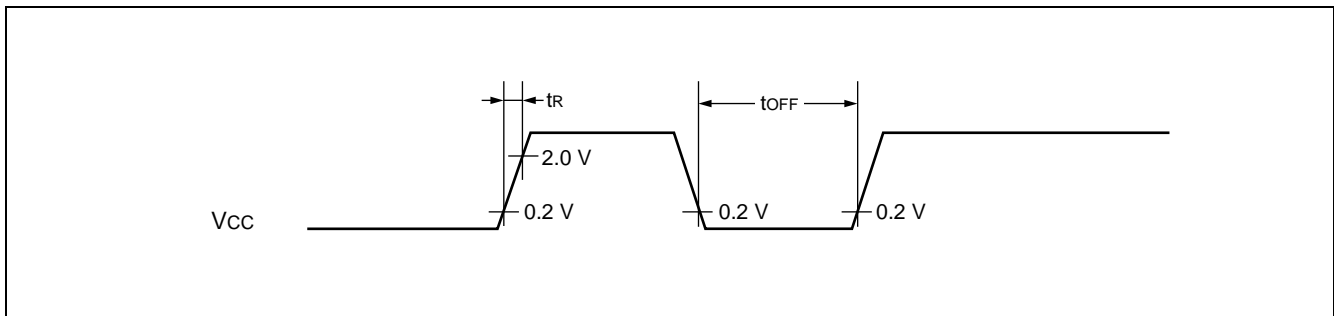


Notes: •When the power-on reset option is not on, leave the external reset on until oscillation becomes stable.  
 •If the reset pulse applied to the external reset pin ( $\overline{\text{RST}}$ ) does not meet the specifications, it may cause malfunctions. Use caution so that the reset pulse less than the specifications will not be fed to the external reset pin ( $\overline{\text{RST}}$ ).

### (2) Power-on Reset

( $V_{CC} = 5.0 \text{ V} \pm 10\%$ ,  $AV_{SS} = V_{SS} = 0.0 \text{ V}$ ,  $T_a = -40 \text{ }^\circ\text{C}$  to  $+85 \text{ }^\circ\text{C}$ )

Parameter	Symbol	Condition	Value		Unit	Remarks
			Min	Max		
Power supply rising time	$t_r$	—	—	50	ms	
Power supply cutoff time	$t_{\text{OFF}}$	—	1	—	ms	Wait time until power-on



Note : The supply voltage must be set to the minimum value required for operation within the prescribed default oscillation settling time.

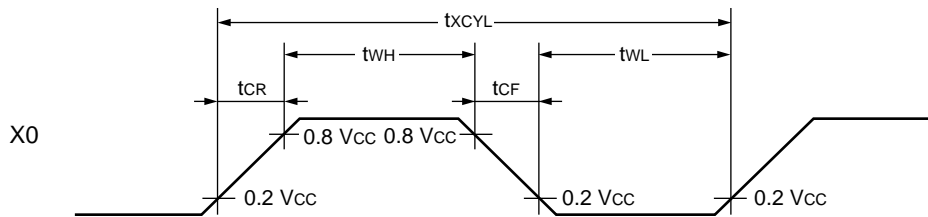
# MB89930B Series

## (3) Clock Timing

( $V_{CC} = 5.0\text{ V} \pm 10\%$ ,  $AV_{SS} = V_{SS} = 0.0\text{ V}$ ,  $T_a = -40^\circ\text{C}$  to  $+85^\circ\text{C}$ )

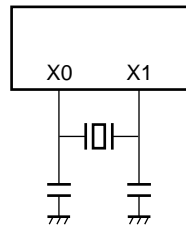
Parameter	Symbol	Condition	Value		Unit	Remarks
			Min	Max		
Clock frequency	$F_{CH}$	—	1	10	MHz	
Clock cycle time	$t_{CYL}$		100	1000	ns	
Input clock pulse width	$t_{WH}$		20	—	ns	
	$t_{WL}$		—	—	ns	
Input clock rising/falling time	$t_{CR}$	—	10	ns		
	$t_{CF}$	—	—	ns		

### • X0 and X1 Timing and Conditions

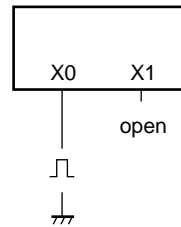


### • Main Clock Conditions

When a crystal or ceramic resonator is used



When an external clock is used



## (4) Instruction Cycle

( $V_{CC} = 5.0\text{ V} \pm 10\%$ ,  $AV_{SS} = V_{SS} = 0.0\text{ V}$ ,  $T_a = -40^\circ\text{C}$  to  $+85^\circ\text{C}$ ) .

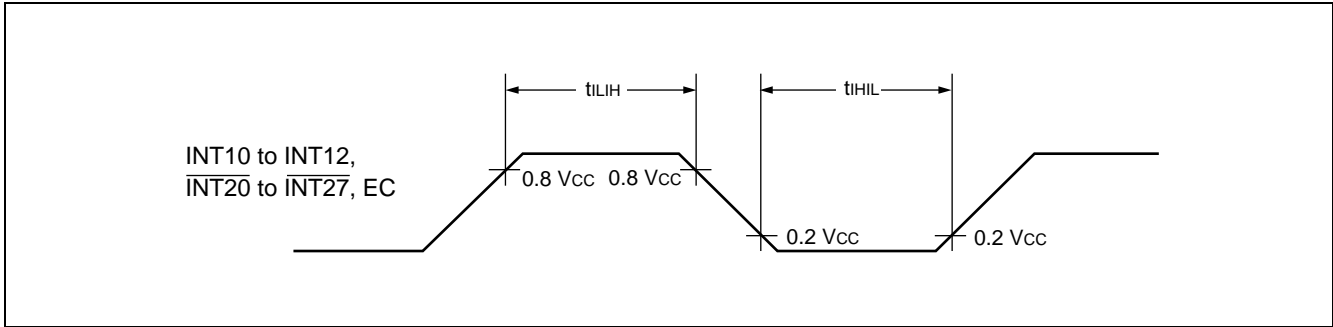
Parameter	Symbol	Value (typical)	Unit	Remarks
Instruction cycle (minimum execution time)	$t_{INST}$	$4/F_{CH}$ , $8/F_{CH}$ , $16/F_{CH}$ , $64/F_{CH}$	$\mu\text{s}$	$t_{INST} = 0.4\ \mu\text{s}$ when operating at $F_{CH} = 10\text{ MHz}$ ( $4/F_{CH}$ )

## (5) Peripheral Input Timing

( $V_{CC} = 5.0\text{ V} \pm 10\%$ ,  $AV_{SS} = V_{SS} = 0.0\text{ V}$ ,  $T_a = -40\text{ }^\circ\text{C}$  to  $+85\text{ }^\circ\text{C}$ )

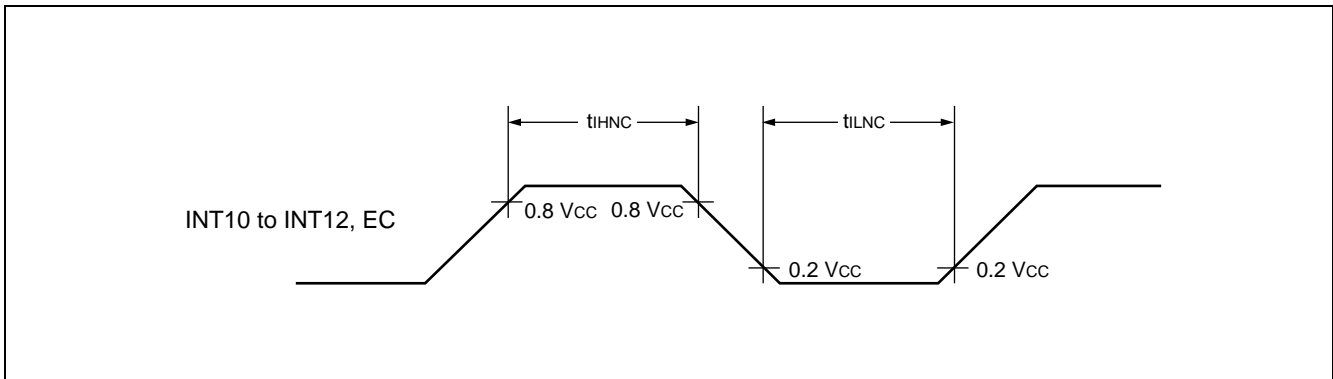
Parameter	Symbol	Pin name	Value		Unit	Remarks
			Min	Max		
Peripheral input "H" pulse width	$t_{LIH}$	INT10 to INT12, INT20 to INT27, EC	$2 t_{INST}^*$	—	$\mu\text{s}$	
Peripheral input "L" pulse width	$t_{LIL}$	INT10 to INT12, INT20 to INT27, EC	$2 t_{INST}^*$	—	$\mu\text{s}$	

\* : For information on  $t_{INST}$  see "(4) Instruction Cycle".



( $V_{CC} = 5.0\text{ V} \pm 10\%$ ,  $AV_{SS} = V_{SS} = 0.0\text{ V}$ ,  $T_a = -40\text{ }^\circ\text{C}$  to  $+85\text{ }^\circ\text{C}$ )

Parameter	Symbol	Pin name	Value			Unit	Remarks
			Min	Typ	Max		
Peripheral input "H" noise limit	$t_{IHNC}$	INT10 to INT12, EC	7	15	23	ns	
Peripheral input "L" noise limit	$t_{ILNC}$		7	15	23	ns	



# MB89930B Series

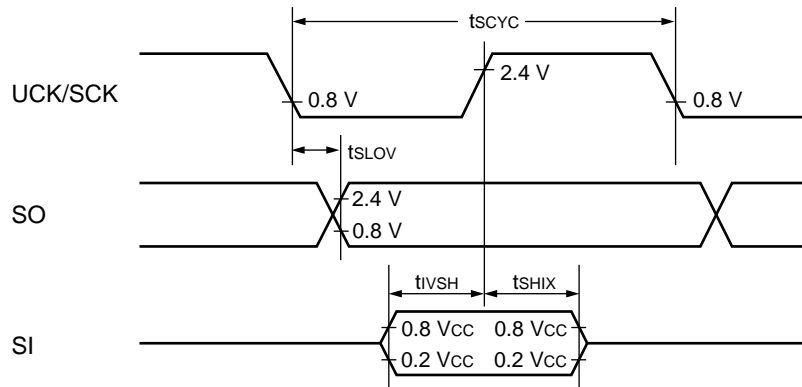
## (6) UART, Serial I/O Timing

( $V_{CC} = 5.0\text{ V} \pm 10\%$ ,  $A_{VSS} = V_{SS} = 0.0\text{ V}$ ,  $T_a = -40\text{ }^\circ\text{C}$  to  $+85\text{ }^\circ\text{C}$ )

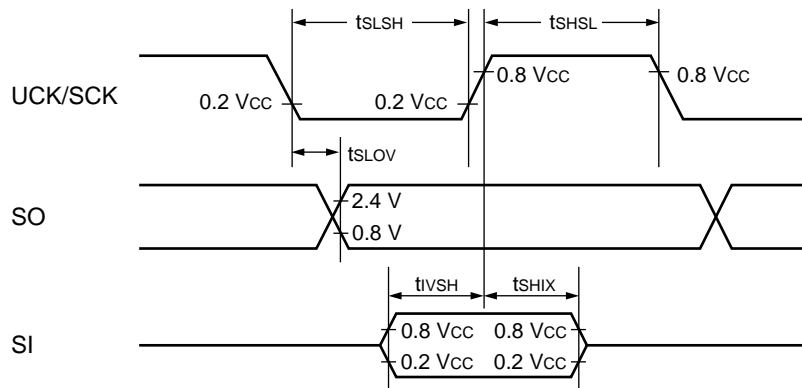
Parameter	Symbol	Pin name	Condition	Value		Unit	Remarks
				Min	Max		
Serial clock cycle time	$t_{SCYC}$	UCK/SCK	Internal shift clock mode	$2 t_{INST}^*$	—	$\mu\text{s}$	
UCK/SCK $\downarrow \rightarrow$ SO time	$t_{SLOV}$	UCK/SCK, SO		-200	200	ns	
Valid SI $\rightarrow$ UCK/SCK $\uparrow$	$t_{VSH}$	UCK/SCK, SI		$1/2 t_{INST}^*$	—	$\mu\text{s}$	
UCK/SCK $\uparrow \rightarrow$ Valid SI hold time	$t_{SHIX}$	UCK/SCK, SI		$1/2 t_{INST}^*$	—	$\mu\text{s}$	
Serial clock "H" pulse width	$t_{SHSL}$	UCK/SCK	External shift clock mode	$t_{INST}^*$	—	$\mu\text{s}$	
Serial clock "L" pulse width	$t_{SLSH}$	UCK/SCK		$t_{INST}^*$	—	$\mu\text{s}$	
UCK/SCK $\downarrow \rightarrow$ SO time	$t_{SLOV}$	UCK/SCK, SO		0	200	ns	
Valid SI $\rightarrow$ UCK/SCK	$t_{VSH}$	UCK/SCK, SI		$1/2 t_{INST}^*$	—	$\mu\text{s}$	
UCK/SCK $\uparrow \rightarrow$ Valid SI hold time	$t_{SHIX}$	UCK/SCK, SI		$1/2 t_{INST}^*$	—	$\mu\text{s}$	

\* : For information on  $t_{inst}$ , see "(4) Instruction Cycle".

### • Internal Shift Clock Mode



### • External Shift Clock Mode



## 5. A/D Converter

### (1) A/D Converter Electrical Characteristics

( $V_{CC} = 5.0 \text{ V} \pm 10\%$ ,  $AV_{SS} = V_{SS} = 0.0 \text{ V}$ ,  $T_a = -40 \text{ }^\circ\text{C}$  to  $+85 \text{ }^\circ\text{C}$ )

Parameter	Symbol	Value			Unit	Remarks
		Min	Typ	Max		
Resolution	—	—	—	10	bit	
Total error		-5.0	—	+5.0	LSB	
Linearity error		-3.0	—	+3.0	LSB	
Differential linearity error		-2.5	—	+2.5	LSB	
Zero transition voltage	$V_{OT}$	$AV_{SS} - 3.5 \text{ LSB}$	$AV_{SS} + 0.5 \text{ LSB}$	$AV_{SS} + 4.5 \text{ LSB}$	V	
Full-scale transition voltage	$V_{FST}$	$V_{CC} - 6.5 \text{ LSB}$	$V_{CC} - 1.5 \text{ LSB}$	$V_{CC} + 2.0 \text{ LSB}$	V	
A/D mode conversion time		—	—	$38 t_{INST}^*$	$\mu\text{s}$	
Analog port input current	$I_{AIN}$	—	—	10	$\mu\text{A}$	
Analog input voltage range	—	0	—	$V_{CC}$	V	

\* : For information on  $t_{inst}$ , see “(4) Instruction Cycle” in “4. AC Characteristics”.

### (2) A/D Converter Glossary

- Resolution

Analog changes that are identifiable with the A/D converter

When the number of bits is 10, analog voltage can be divided into  $2^{10} = 1024$ .

- Linearity error (unit : LSB)

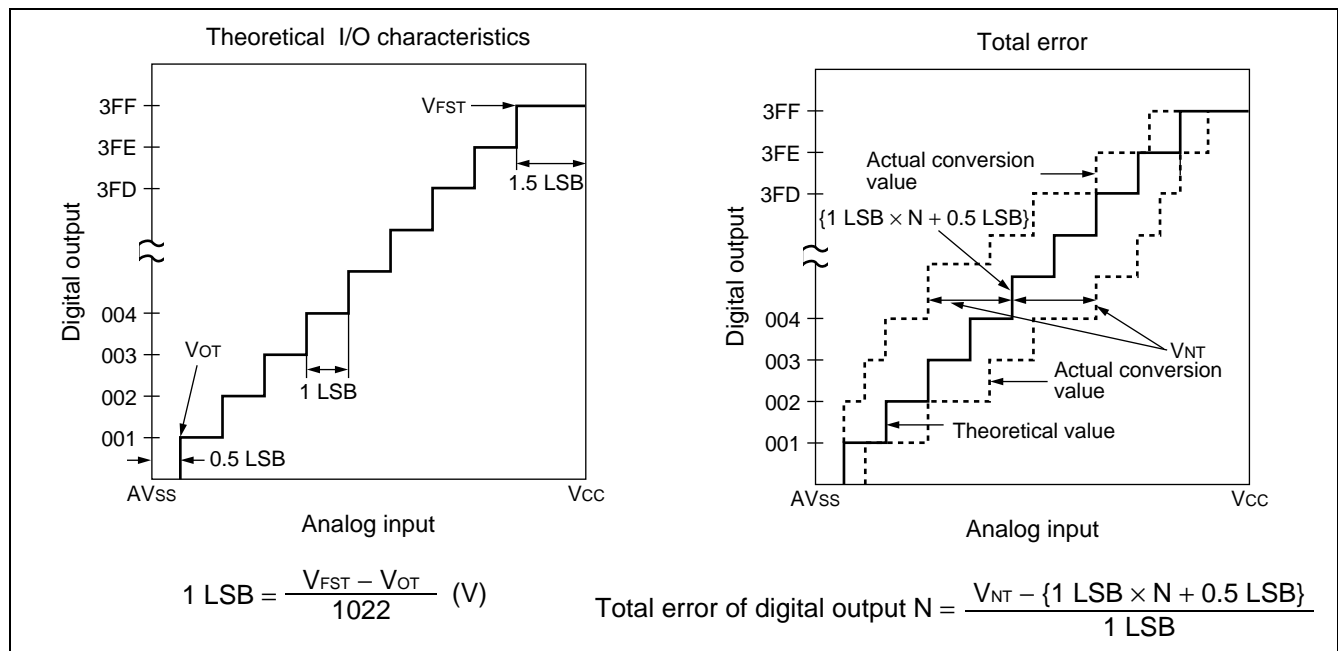
The deviation of the straight line connecting the zero transition point (“00 0000 0000” ↔ “00 0000 0001”) with the full-scale transition point (“11 1111 1111” ↔ “11 1111 1110”) from actual conversion characteristics

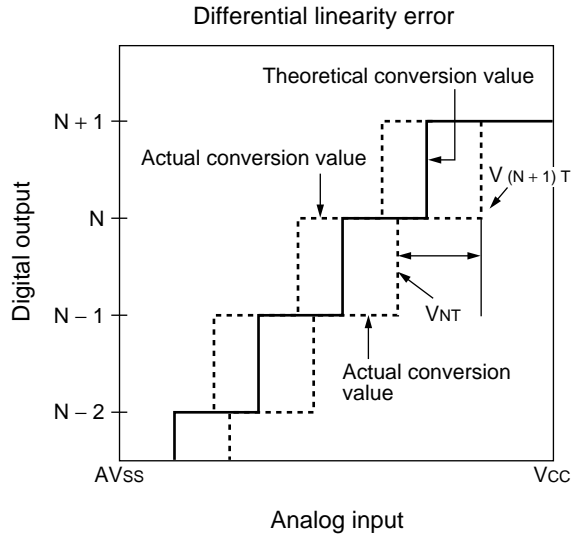
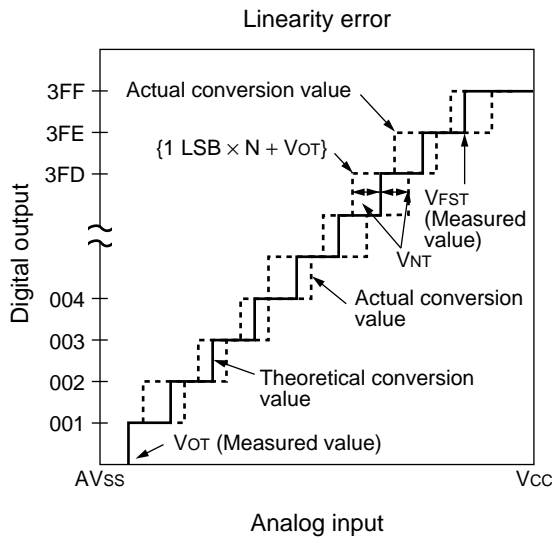
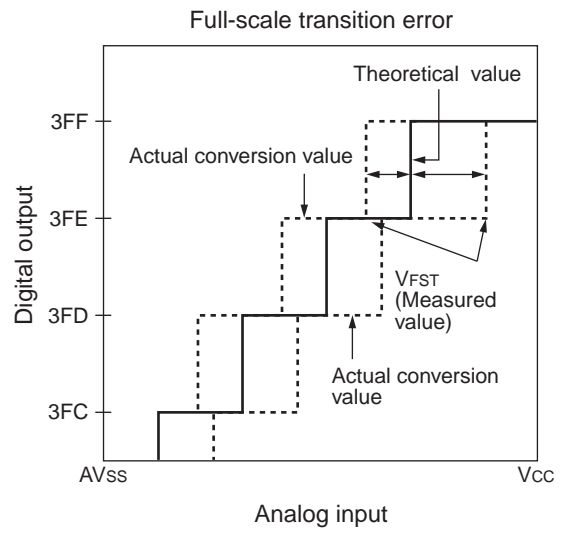
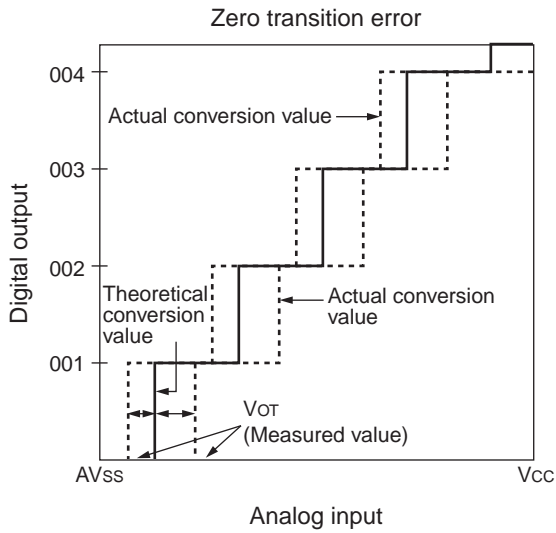
- Differential linearity error (unit : LSB)

The deviation of input voltage needed to change the output code by 1 LSB from the theoretical value

- Total error (unit : LSB)

The difference between theoretical and actual conversion values





$$\text{Linearity error of digital output } N = \frac{V_{NT} - \{1 \text{ LSB} \times N + V_{OT}\}}{1 \text{ LSB}}$$

$$\text{Differential linearity of error digital output } N = \frac{V_{(N+1)T} - V_{NT}}{1 \text{ LSB}} - 1$$

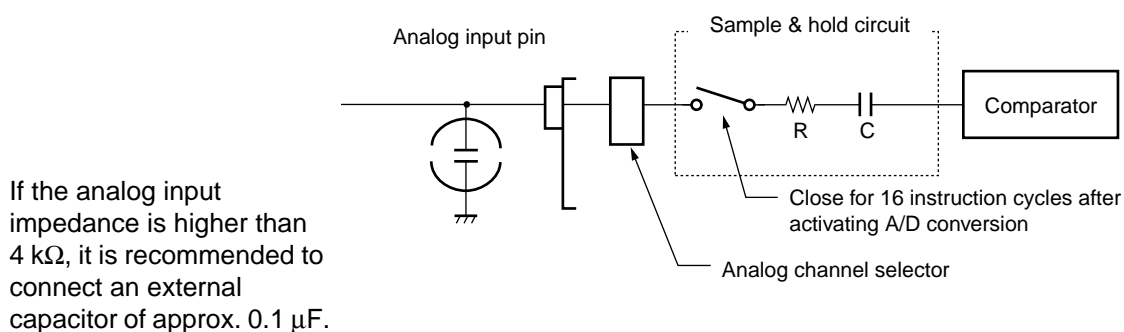
### (3) Notes on Using A/D Converter

- Input impedance of the analog input pins

The A/D converter used for the MB89930B series contains a sample & hold circuit as illustrated below to fetch analog input voltage into the sample & hold capacitor for 16 instruction cycles after activating A/D conversion. For this reason, if the output impedance of the external circuit for the analog input is high, analog input voltage might not stabilize within the analog input sampling period. Therefore, it is recommended to keep the output impedance of the external circuit low (below 4 k $\Omega$ ).

Note that if the impedance cannot be kept low, it is recommended to connect an external capacitor of about 0.1  $\mu$ F for the analog input pin.

- Analog Input Equivalent Circuit



MB89935B R = approx. 2.2 k $\Omega$ , C = approx. 45 pF  
 MB89P935B R = approx. 3.2 k $\Omega$ , C = approx. 30 pF

- Error

The smaller the  $|V_{CC} - AV_{SS}|$ , the greater the error would become relatively.

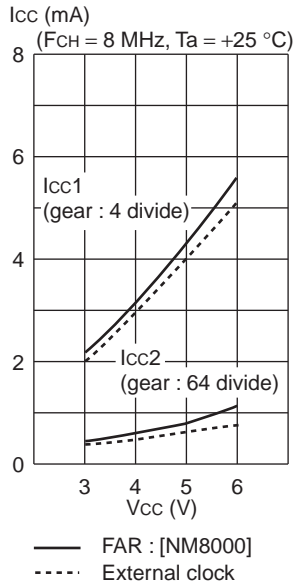
# MB89930B Series

## EXAMPLE CHARACTERISTICS

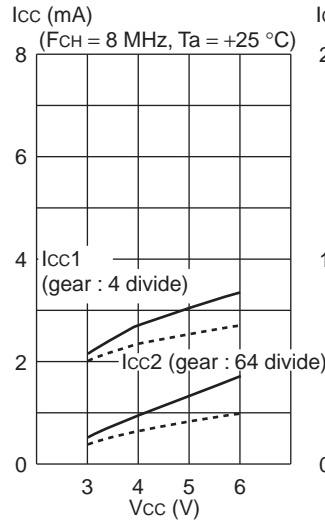
- Power supply current

(MB89935B/MB89P935B : 8 MHz ( when FAR resonator [NM8000] / external clock are used))

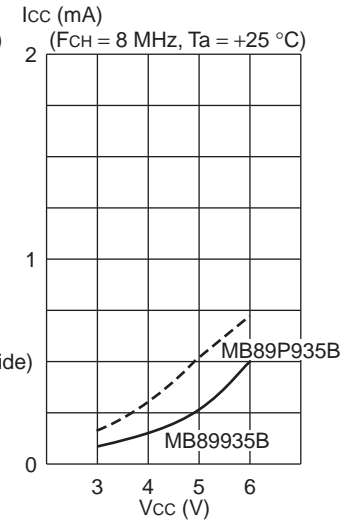
**MB89935B**  
Normal operation mode  
( $I_{cc1} - V_{cc}$ ,  $I_{cc2} - V_{cc}$ )



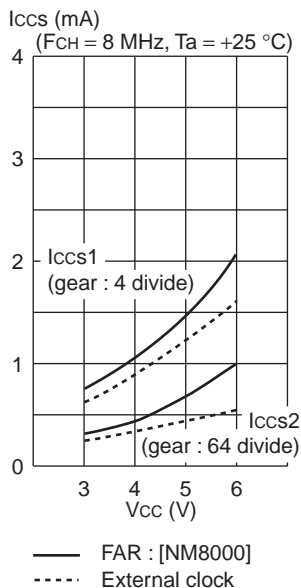
**MB89P935B**  
Normal operation mode  
( $I_{cc1} - V_{cc}$ ,  $I_{cc2} - V_{cc}$ )



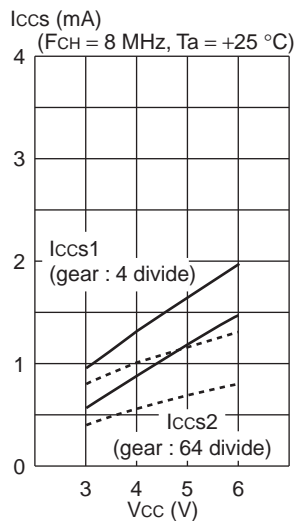
**MB89935B/MB89P935B**  
Only clock oscillation circuit  
FAR : [NM8000]



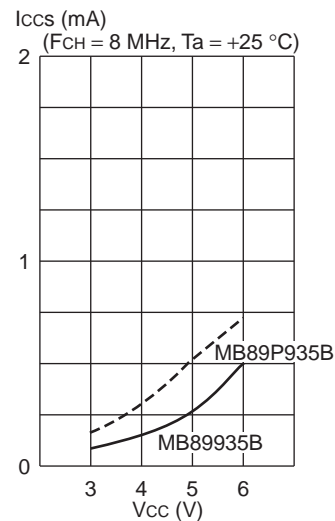
**MB89935B**  
Sleep mode  
( $I_{ccs1} - V_{cc}$ ,  $I_{ccs2} - V_{cc}$ )



**MB89P935B**  
Sleep mode  
( $I_{ccs1} - V_{cc}$ ,  $I_{ccs2} - V_{cc}$ )

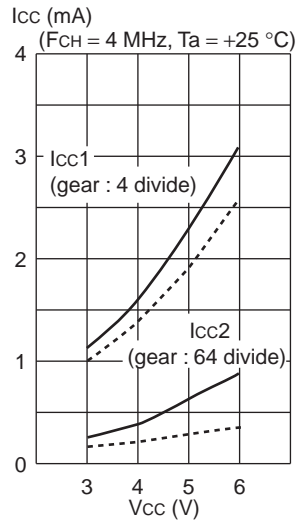


**MB89935B/MB89P935B**  
Only clock oscillation circuit  
FAR : [NM8000]



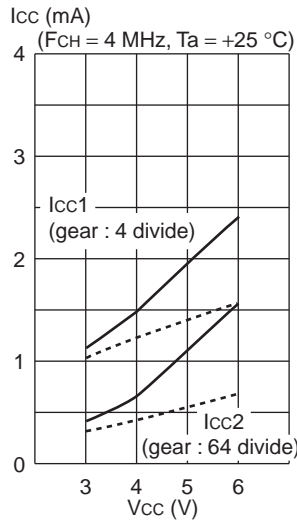
- MB89935B/MB89P935B : 4 MHz (when FAR resonator [NM4000] / external clock are used)

**MB89935B**  
Normal operation mode  
( $I_{cc1} - V_{cc}$ ,  $I_{cc2} - V_{cc}$ )

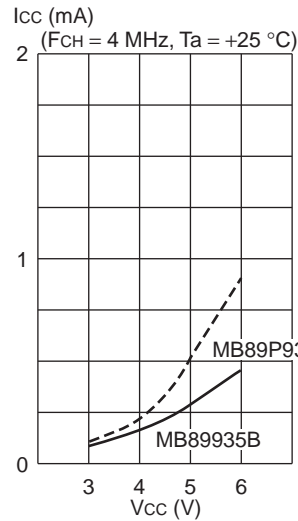


— FAR : [NM4000]  
- - - External clock

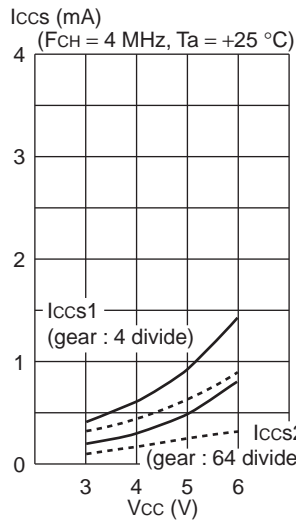
**MB89P935B**  
Normal operation mode  
( $I_{cc1} - V_{cc}$ ,  $I_{cc2} - V_{cc}$ )



**MB89935B/MB89P935B**  
Only clock oscillation circuit  
FAR : [NM4000]

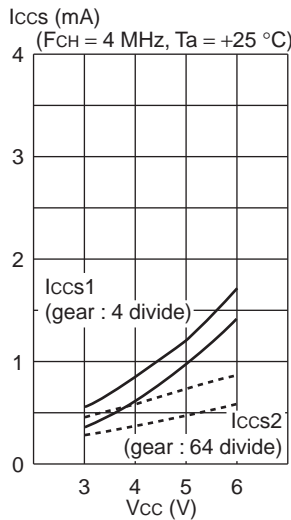


**MB89935B**  
Seep mode  
( $I_{ccs1} - V_{cc}$ ,  $I_{ccs2} - V_{cc}$ )

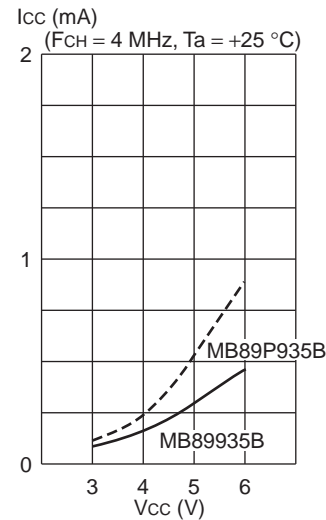


— FAR : [NM4000]  
- - - External clock

**MB89P935B**  
Seep mode  
( $I_{ccs1} - V_{cc}$ ,  $I_{ccs2} - V_{cc}$ )

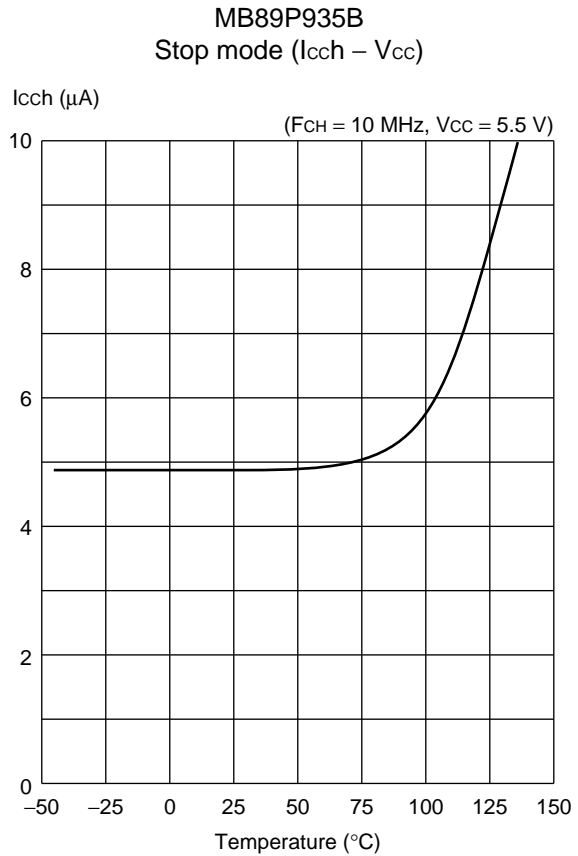
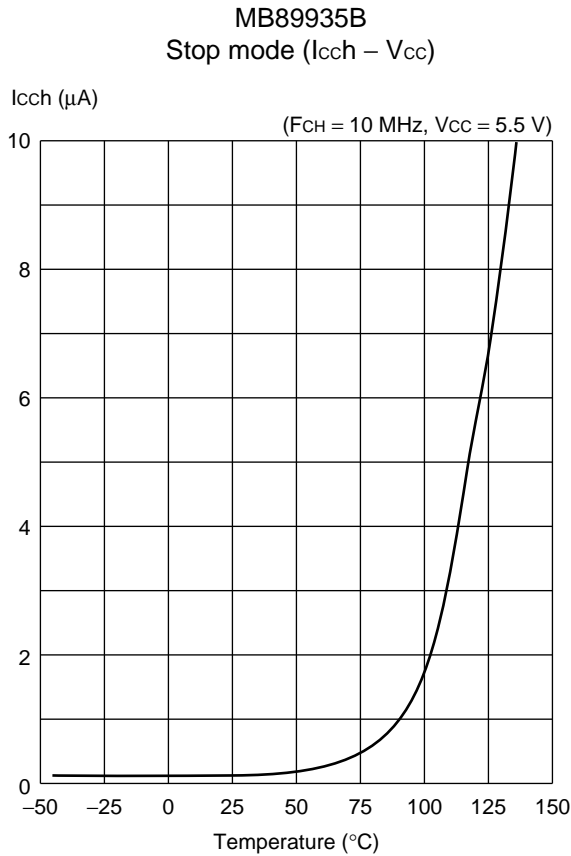
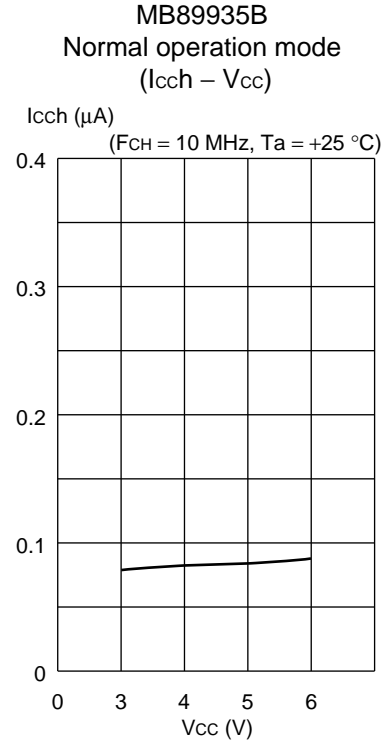
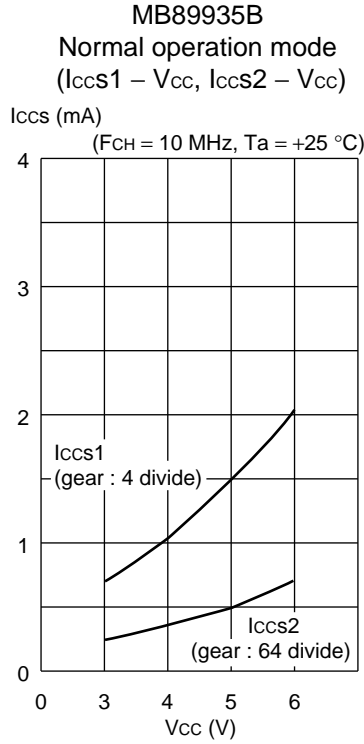
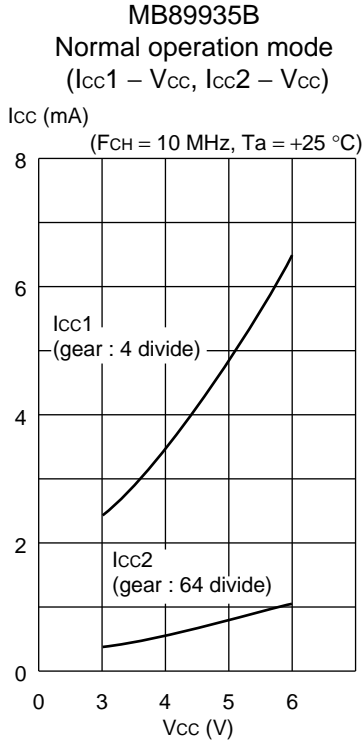


**MB89935B/MB89P935B**  
Only clock oscillation circuit  
FAR : [NM4000]

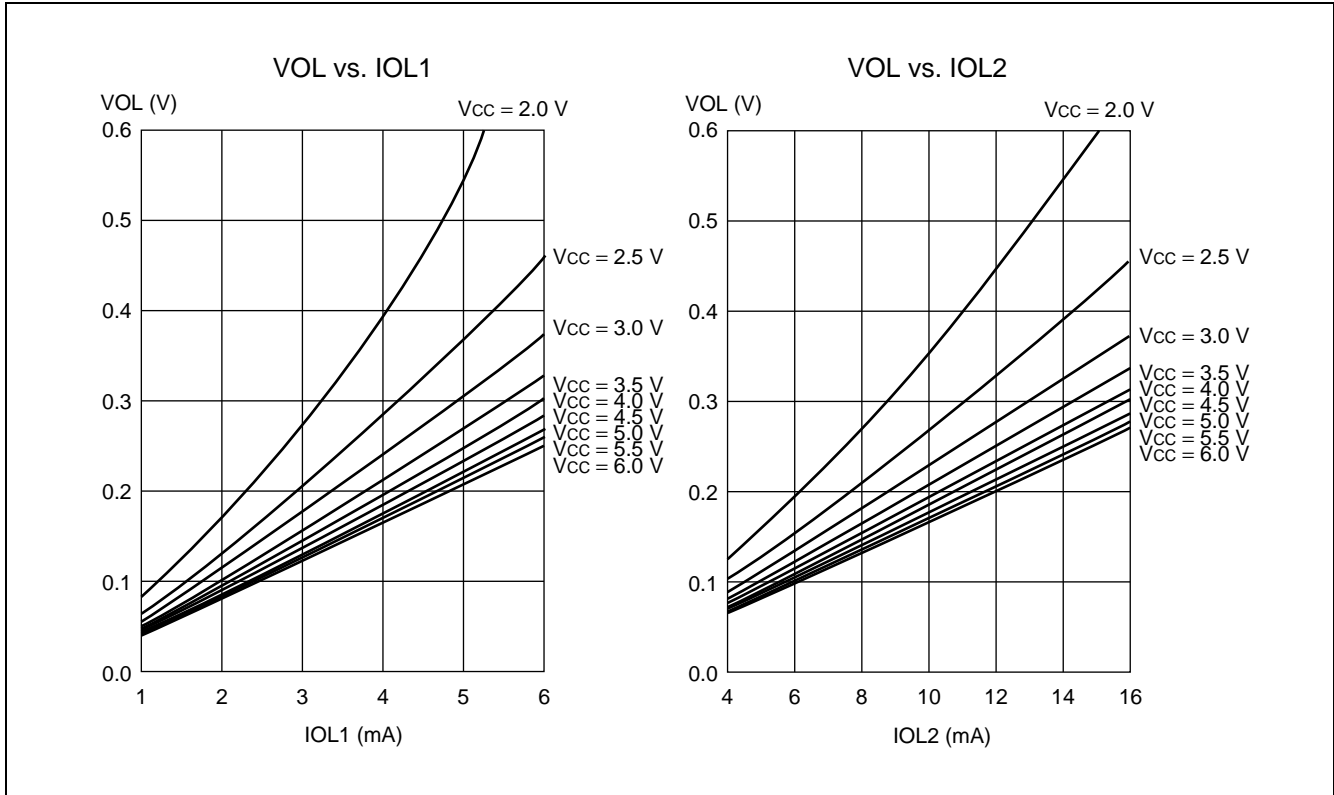


# MB89930B Series

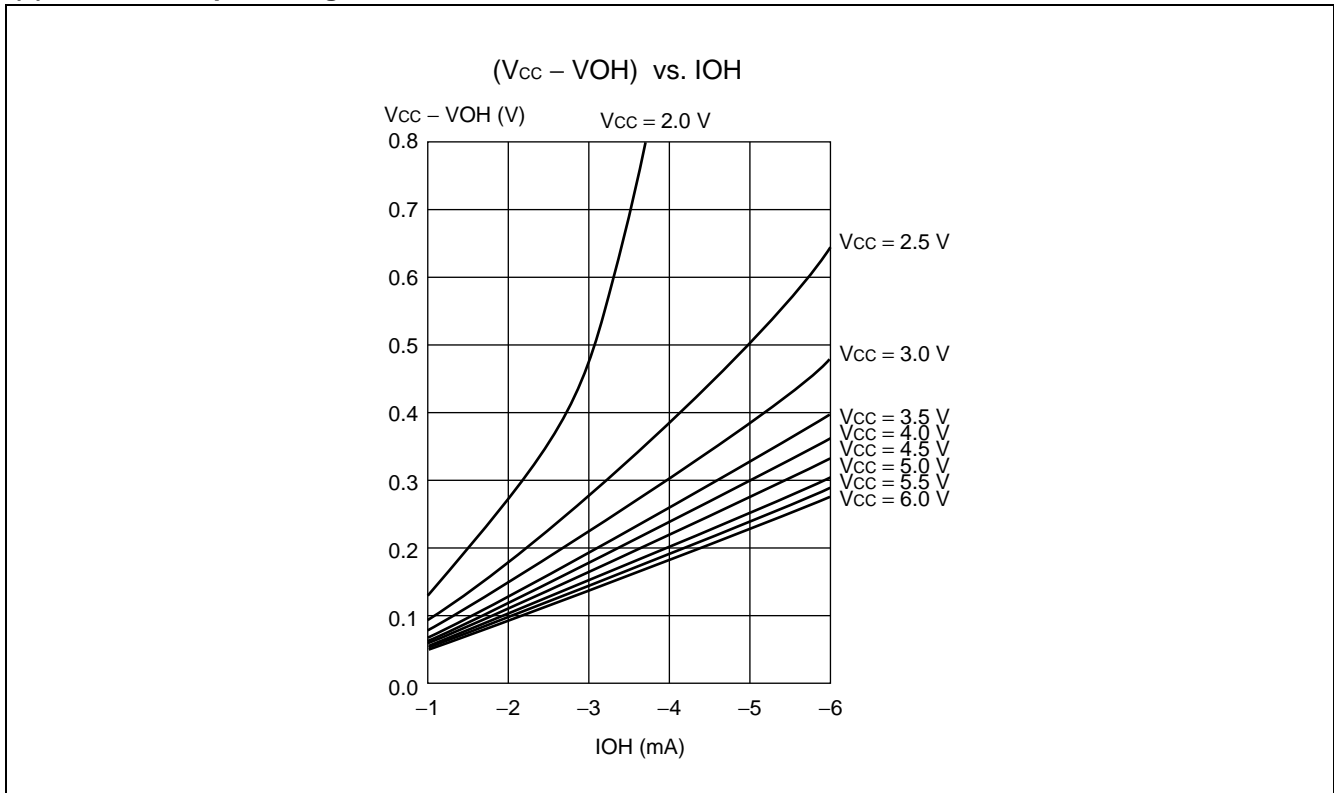
- MB89935B : 10 MHz (when external clock is used)



## (2) "L" level output voltage



## (3) "H" level output voltage



# MB89930B Series

## ■ MASK OPTIONS

No	Part number	MB89935B	MB89P935B	MB89PV930A
	Specifying procedure	Specify when ordering masking	Setting not possible	
1	Selection of initial value of main clock oscillation settling time* (with $F_{CH} = 10$ MHz) 01 : $2^{14}/F_{CH}$ (Approx. 1.63 ms) 10 : $2^{17}/F_{CH}$ (Approx. 13.1 ms) 11 : $2^{18}/F_{CH}$ (Approx. 26.2 ms)	Selectable	Fixed to $2^{18}/F_{CH}$ (Approx. 26.2 ms)	Fixed to $2^{18}/F_{CH}$ (Approx. 26.2 ms)
2	Power-on reset selection With power-on reset Without power-on reset	Selectable	Available	Available
3	Reset pin output With reset output Without reset output	Selectable	With reset output	With reset output

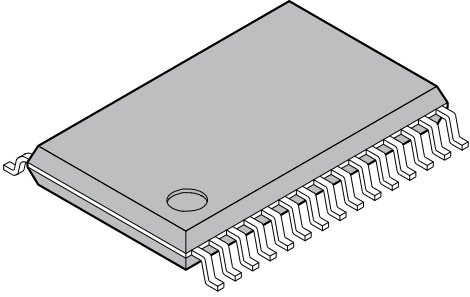
$F_{CH}$  : Main clock oscillation frequency

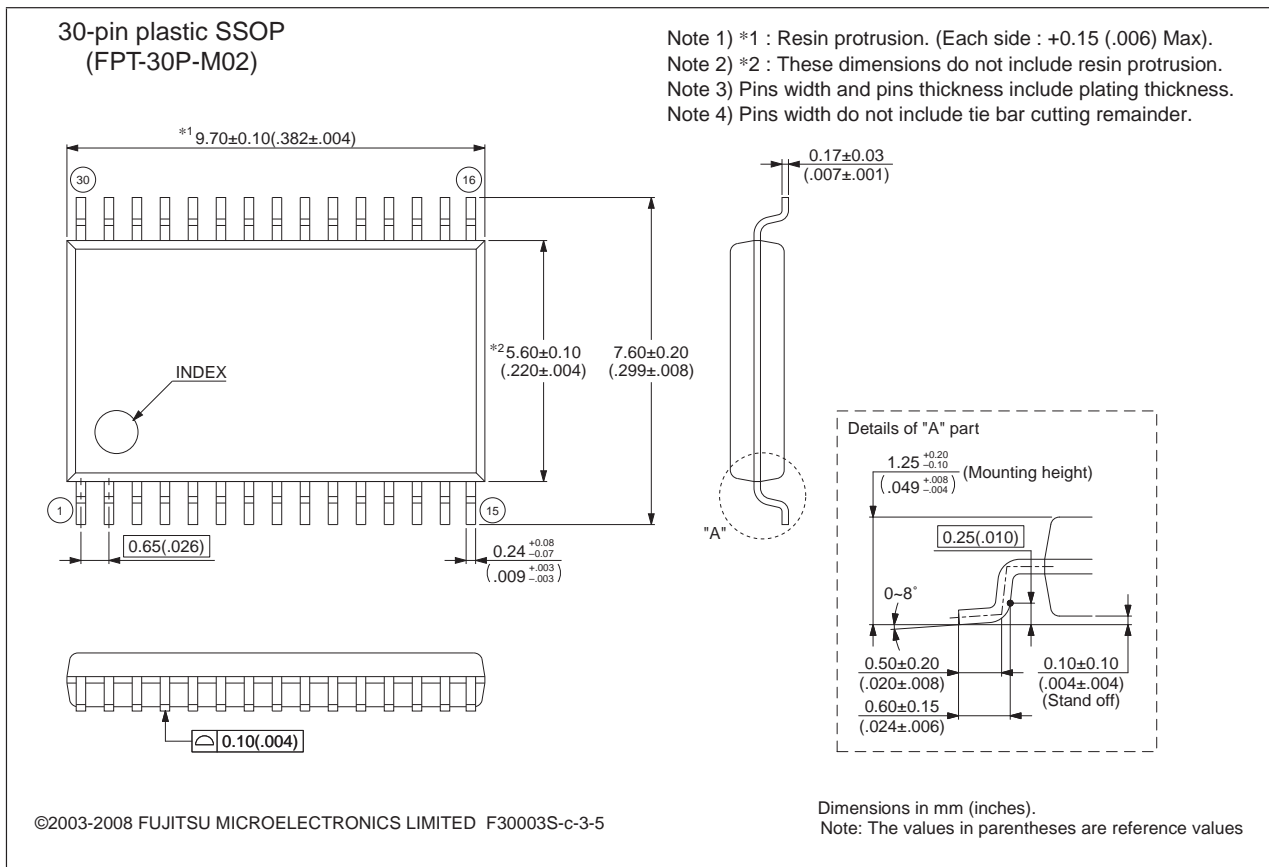
\* : Initial value to which the oscillation settling time bit (SYCC : WT1, WT0) in the system clock control register is set

## ■ ORDERING INFORMATION

Part number	Package	Remarks
MB89935BPFV MB89P935BPFV	30-pin Plastic SSOP (FPT-30P-M02)	
MB89PV930ACFV	48-pin Ceramic MQFP (MQP-48C-P01)	

## PACKAGE DIMENSIONS

<p>30-pin plastic SSOP</p>  <p>(FPT-30P-M02)</p>	Lead pitch	0.65 mm
	Package width × package length	5.60 × 9.70 mm
	Lead shape	Gullwing
	Sealing method	Plastic mold
	Mounting height	1.45 mm MAX
	Code (Reference)	P-SSOP30-5.6×9.7-0.65

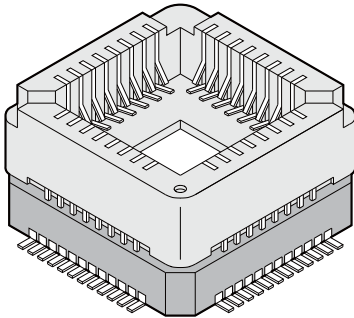


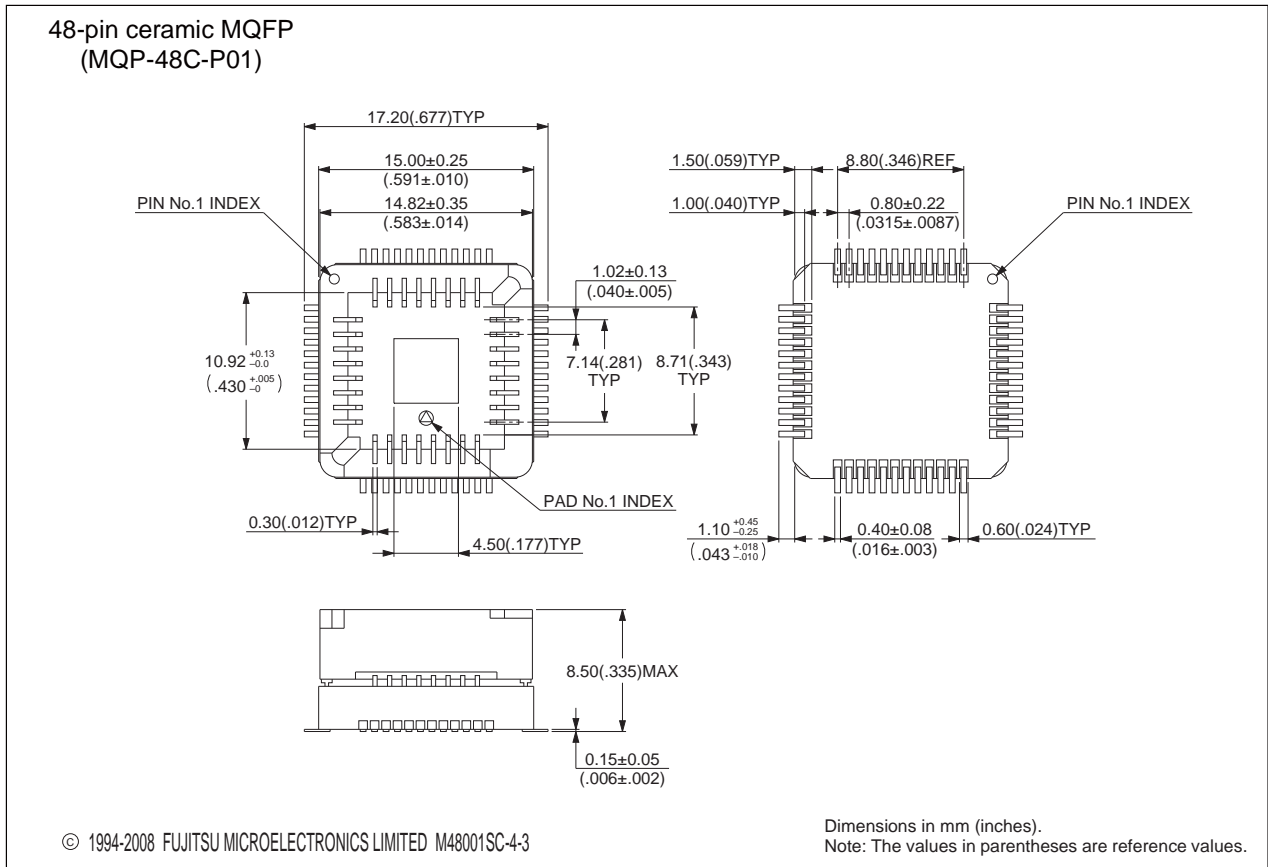
Please confirm the latest Package dimension by following URL.  
<http://edevic.fujitsu.com/package/en-search/>

(Continued)

# MB89930B Series

(Continued)

<p>48-pin ceramic MQFP</p>  <p>(MQP-48C-P01)</p>	Lead pitch	0.8 mm	
	Lead shape	Straight	
	Motherboard material	Ceramic	
	Mounted package material	Plastic	



Please confirm the latest Package dimension by following URL.  
<http://edevic.fujitsu.com/package/en-search/>

## ■ MAIN CHANGES IN THIS EDITION

Page	Section	Change Results
26	■ ELECTRICAL CHARACTERISTICS 3. DC Characteristics	Changed the Remarks of "Input capacitance". (Deleted MB89P935B)
27	4. AC Characteristics (2) Power-on Reset	Corrected the Remarks column of "Power supply cut-off time". Due to repeated operations → Wait time until power-on

The vertical lines marked in the left side of the page show the changes.

**MEMO**

**MEMO**

# MB89930B Series

## FUJITSU MICROELECTRONICS LIMITED

Shinjuku Dai-Ichi Seimei Bldg., 7-1, Nishishinjuku 2-chome,  
Shinjuku-ku, Tokyo 163-0722, Japan  
Tel: +81-3-5322-3329  
<http://jp.fujitsu.com/fml/en/>

*For further information please contact:*

### North and South America

FUJITSU MICROELECTRONICS AMERICA, INC.  
1250 E. Arques Avenue, M/S 333  
Sunnyvale, CA 94085-5401, U.S.A.  
Tel: +1-408-737-5600 Fax: +1-408-737-5999  
<http://www.fma.fujitsu.com/>

### Asia Pacific

FUJITSU MICROELECTRONICS ASIA PTE. LTD.  
151 Lorong Chuan,  
#05-08 New Tech Park 556741 Singapore  
Tel : +65-6281-0770 Fax : +65-6281-0220  
<http://www.fmal.fujitsu.com/>

### Europe

FUJITSU MICROELECTRONICS EUROPE GmbH  
Pittlerstrasse 47, 63225 Langen, Germany  
Tel: +49-6103-690-0 Fax: +49-6103-690-122  
<http://emea.fujitsu.com/microelectronics/>

### FUJITSU MICROELECTRONICS SHANGHAI CO., LTD.

Rm. 3102, Bund Center, No.222 Yan An Road (E),  
Shanghai 200002, China  
Tel : +86-21-6146-3688 Fax : +86-21-6335-1605  
<http://cn.fujitsu.com/fmc/>

### Korea

FUJITSU MICROELECTRONICS KOREA LTD.  
206 Kosmo Tower Building, 1002 Daechi-Dong,  
Gangnam-Gu, Seoul 135-280, Republic of Korea  
Tel: +82-2-3484-7100 Fax: +82-2-3484-7111  
<http://kr.fujitsu.com/fmk/>

### FUJITSU MICROELECTRONICS PACIFIC ASIA LTD.

10/F., World Commerce Centre, 11 Canton Road,  
Tsimshatsui, Kowloon, Hong Kong  
Tel : +852-2377-0226 Fax : +852-2376-3269  
<http://cn.fujitsu.com/fmc/en/>

Specifications are subject to change without notice. For further information please contact each office.

### All Rights Reserved.

The contents of this document are subject to change without notice.

Customers are advised to consult with sales representatives before ordering.

The information, such as descriptions of function and application circuit examples, in this document are presented solely for the purpose of reference to show examples of operations and uses of FUJITSU MICROELECTRONICS device; FUJITSU MICROELECTRONICS does not warrant proper operation of the device with respect to use based on such information. When you develop equipment incorporating the device based on such information, you must assume any responsibility arising out of such use of the information.

FUJITSU MICROELECTRONICS assumes no liability for any damages whatsoever arising out of the use of the information.

Any information in this document, including descriptions of function and schematic diagrams, shall not be construed as license of the use or exercise of any intellectual property right, such as patent right or copyright, or any other right of FUJITSU MICROELECTRONICS or any third party or does FUJITSU MICROELECTRONICS warrant non-infringement of any third-party's intellectual property right or other right by using such information. FUJITSU MICROELECTRONICS assumes no liability for any infringement of the intellectual property rights or other rights of third parties which would result from the use of information contained herein.

The products described in this document are designed, developed and manufactured as contemplated for general use, including without limitation, ordinary industrial use, general office use, personal use, and household use, but are not designed, developed and manufactured as contemplated (1) for use accompanying fatal risks or dangers that, unless extremely high safety is secured, could have a serious effect to the public, and could lead directly to death, personal injury, severe physical damage or other loss (i.e., nuclear reaction control in nuclear facility, aircraft flight control, air traffic control, mass transport control, medical life support system, missile launch control in weapon system), or (2) for use requiring extremely high reliability (i.e., submersible repeater and artificial satellite).

Please note that FUJITSU MICROELECTRONICS will not be liable against you and/or any third party for any claims or damages arising in connection with above-mentioned uses of the products.

Any semiconductor devices have an inherent chance of failure. You must protect against injury, damage or loss from such failures by incorporating safety design measures into your facility and equipment such as redundancy, fire protection, and prevention of over-current levels and other abnormal operating conditions.

Exportation/release of any products described in this document may require necessary procedures in accordance with the regulations of the Foreign Exchange and Foreign Trade Control Law of Japan and/or US export control laws.

The company names and brand names herein are the trademarks or registered trademarks of their respective owners.