

ASSP For power supply applications

BIPOLAR

Power Supply Monitor

MB3771

■ DESCRIPTION

The Fujitsu Microelectronics MB3771 is designed to monitor the voltage level of one or two power supplies (+5 V and an arbitrary voltage) in a microprocessor circuit, memory board in large-size computer, for example.

If the circuit's power supply deviates more than a specified amount, then the MB3771 generates a reset signal to the microprocessor. Thus, the computer data is protected from accidental erasure.

Using the MB3771 requires few external components. To monitor only a +5 V supply, the MB3771 requires the connection of one external capacitor. The level of an arbitrary detection voltage is determined by two external resistors. The MB3771 is available in an 8-pin Dual In-Line, Single In-Line Package or space saving Flat Package.

■ FEATURES

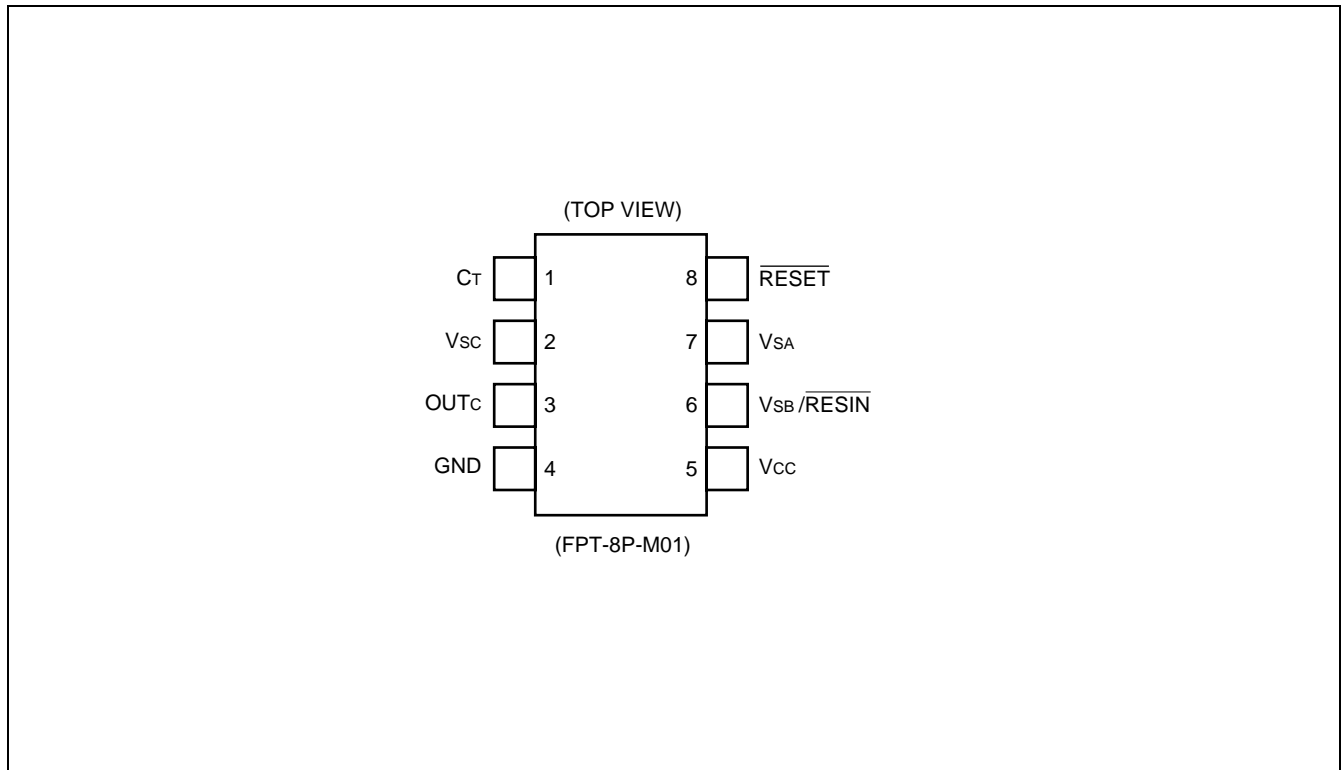
- Precision voltage detection ($V_{SA} = 4.2 \text{ V} \pm 2.5 \%$)
- User selectable threshold level with hysteresis ($V_{SB} = 1.23 \text{ V} \pm 1.5 \%$)
- Monitors the voltage of one or two power supplies (5 V and an arbitrary voltage, $>1.23 \text{ V}$)
- Usable as over voltage detector
- Low voltage output for reset signal ($V_{CC} = 0.8 \text{ V Typ}$)
- Minimal number of external components (one capacitor Min)
- Low power dissipation ($I_{CC} = 0.35 \text{ mA Typ}$, $V_{CC} = 5 \text{ V}$)
- Detection threshold voltage has hysteresis function
- Reference voltage is connectable.
- One type of package (SOP-8pin : 1 type)

■ APPLICATION

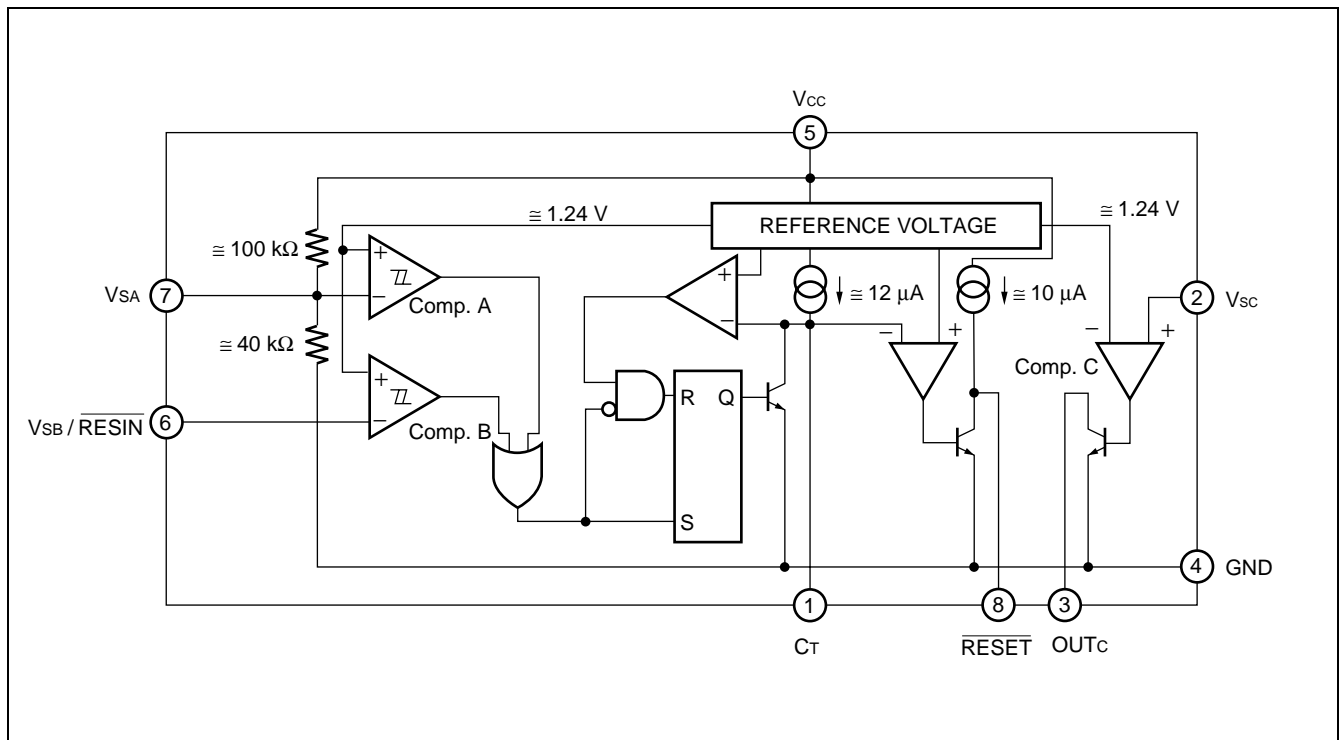
- Industrial Equipment
- Arcade Amusement etc.

MB3771

■ PIN ASSIGNMENT



■ BLOCK DIAGRAM



FUNCTIONAL DESCRIPTIONS

Comparators Comp.A and Comp.B apply a hysteresis to the detected voltage, so that when the voltage at either the V_{SA} or V_{SB} pin falls below 1.23 V the \overline{RESET} output signal goes to “low” level.

Comp. B may be used to detect any given voltage (APPLICATION CIRCUIT 3 : Arbitrary Voltage Supply Monitor), and can also be used as a forced reset pin (with reset hold time) with TTL input (APPLICATION CIRCUIT 6 : 5V Power Supply Monitor with forced \overline{RESET} input ($V_{CC} = 5 V$)).

Note that if Comp.B is not used, the V_{SB} pin should be connected to the V_{CC} pin (APPLICATION CIRCUIT 1 : 5V Power Supply Monitor).

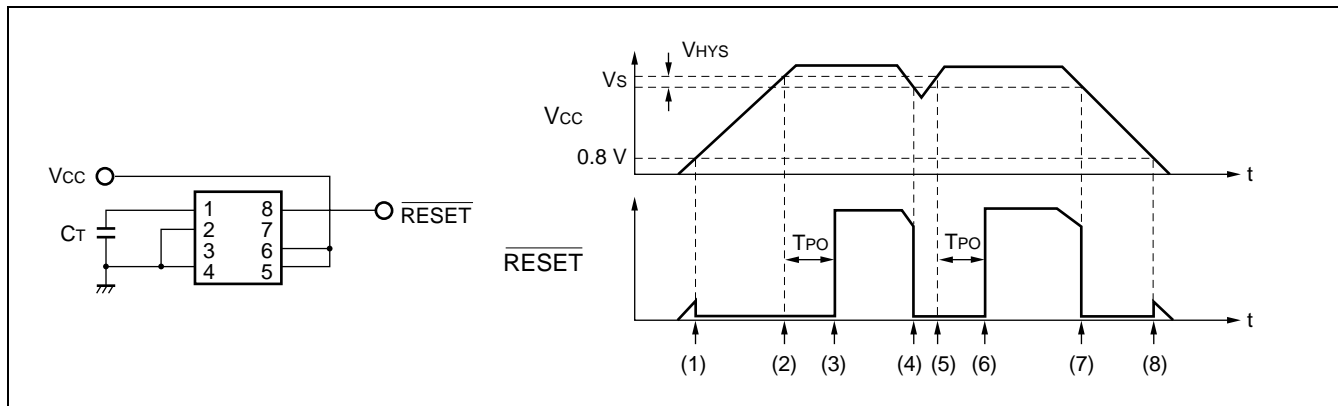
Instantaneous breaks or drops in the power supply can be detected as abnormal conditions by the MB3771 within a 2 μs interval. However because momentary breaks or drops of this duration do not cause problems in actual systems in some cases, a delayed trigger function can be created by connecting capacitors to the V_{SA} or V_{SB} pin (APPLICATION CIRCUIT 8 : Supply Voltage Monitoring with Delayed Trigger).

Because the \overline{RESET} output has built-in pull-up resistance, there is no need to connect to external pull-up resistance when connected to a high impedance load such as a CMOS logic IC.

Comparator Comp. C is an open-collector output comparator without hysteresis, in which the polarity of input/output characteristics is reversed. Thus Comp. C is useful for over-voltage detection (APPLICATION CIRCUIT 11 : Low Voltage and Over Voltage Detection ($V_{CC} = 5 V$)) and positive logic \overline{RESET} signal output (APPLICATION CIRCUIT 7 : 5 V Power Supply Monitor with Non-inverted \overline{RESET}), as well as for creating a reference voltage (APPLICATION CIRCUIT 10 : Reference Voltage Generation and Voltage Sagging Detection).

Note that if Comp. C is not used, the V_{SC} pin should be connected to the GND pin (APPLICATION CIRCUIT 1 : 5V Power Supply Monitor).

FUNCTION EXPLANATION



- (1) When V_{CC} rises to about 0.8V, \overline{RESET} goes low.
- (2) When V_{CC} reaches $V_S + V_{HYS}$, C_T then begins charging. \overline{RESET} remains low during this time
- (3) \overline{RESET} goes high when C_T begins charging.
 $T_{PO} \approx C_T \times 10^5$ (Refer to “ C_T pin capacitance vs. reset hold time” in “TYPICAL CHARACTERISTICS”.)
- (4) When V_{CC} level drops lower than V_S , then \overline{RESET} goes low and C_T starts discharging.
- (5) When V_{CC} level reaches $V_S + V_{HYS}$, then C_T starts charging.
 In the case of voltage sagging, if the period from the time V_{CC} goes lower than or equal to V_S to the time V_{CC} reaches $V_S + V_{HYS}$ again, is longer than t_{PI} , (as specified in the AC Characteristics), C_T is discharged and charged successively.
- (6) After T_{PO} passes, and V_{CC} level exceeds $V_S + V_{HYS}$, then \overline{RESET} goes high.
- (7) Same as Point 4.
- (8) \overline{RESET} remains low until V_{CC} drops below 0.8V.

■ ABSOLUTE MAXIMUM RATINGS

Parameter	Symbol	Rating		Unit
		Min	Max	
Power supply voltage	V _{CC}	-0.3	+20	V
Input voltage	V _{SA}	-0.3	V _{CC} + 0.3 (< +20)	V
	V _{SB}	-0.3	+20	V
	V _{SC}	-0.3	+20	V
Power dissipation	P _D	—	200 (T _a ≤ 85 °C)	mW
Storage temperature	T _{stg}	-55	+125	°C

WARNING: Semiconductor devices can be permanently damaged by application of stress (voltage, current, temperature, etc.) in excess of absolute maximum ratings. Do not exceed these ratings.

■ RECOMMENDED OPERATING CONDITIONS

Parameter	Symbol	Value		Unit
		Min	Max	
Power supply voltage	V _{CC}	3.5	18	V
Output current	I _{RESET}	0	20	mA
	I _{OUTC}	0	6	mA
Operating ambient temperature	T _a	-40	+85	°C

WARNING: The recommended operating conditions are required in order to ensure the normal operation of the semiconductor device. All of the device's electrical characteristics are warranted when the device is operated within these ranges.

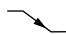


Always use semiconductor devices within their recommended operating condition ranges. Operation outside these ranges may adversely affect reliability and could result in device failure.

No warranty is made with respect to uses, operating conditions, or combinations not represented on the data sheet. Users considering application outside the listed conditions are advised to contact their representatives beforehand.

■ ELECTRICAL CHARACTERISTICS

1. DC Characteristics

($V_{CC} = 5\text{ V}$, $T_a = +25\text{ }^\circ\text{C}$)

Parameter	Symbol	Conditions	Value			Unit
			Min	Typ	Max	
Power supply current	I_{CC1}	$V_{SB} = 5\text{ V}$, $V_{SC} = 0\text{ V}$	—	350	500	μA
	I_{CC2}	$V_{SB} = 0\text{ V}$, $V_{SC} = 0\text{ V}$	—	400	600	μA
Detection voltage	V_{SAL} (DOWN)	V_{CC} 	4.10	4.20	4.30	V
		$T_a = -40\text{ }^\circ\text{C}$ to $+85\text{ }^\circ\text{C}$	4.05	4.20	4.35	V
	V_{SAH} (UP)	V_{CC} 	4.20	4.30	4.40	V
		$T_a = -40\text{ }^\circ\text{C}$ to $+85\text{ }^\circ\text{C}$	4.15	4.30	4.45	V
Hysteresis width	V_{HYSA}	—	50	100	150	mV
Detection voltage	V_{SB}	V_{SB} 	1.212	1.230	1.248	V
		$T_a = -40\text{ }^\circ\text{C}$ to $+85\text{ }^\circ\text{C}$	1.200	1.230	1.260	V
Deviation of detection voltage	ΔV_{SB}	$V_{CC} = 3.5\text{ V}$ to 18 V	—	3	10	mV
Hysteresis width	V_{HYSB}	—	14	28	42	mV
Input current	I_{IHB}	$V_{SB} = 5\text{ V}$	—	0	250	nA
	I_{ILB}	$V_{SB} = 0\text{ V}$	—	20	250	nA
Output voltage	V_{OHR}	$I_{RESET} = -5\text{ }\mu\text{A}$, $V_{SB} = 5\text{ V}$	4.5	4.9	—	V
	V_{OLR}	$I_{RESET} = 3\text{ mA}$, $V_{SB} = 0\text{ V}$	—	0.28	0.4	V
		$I_{RESET} = 10\text{ mA}$, $V_{SB} = 0\text{ V}$	—	0.38	0.5	V
Output sink current	I_{RESET}	$V_{OLR} = 1.0\text{ V}$, $V_{SB} = 0\text{ V}$	20	40	—	mA
CT charge current	I_{CT}	$V_{SB} = 5\text{ V}$, $V_{CT} = 0.5\text{ V}$	9	12	16	μA
Input current	I_{IHC}	$V_{SC} = 5\text{ V}$	—	0	500	nA
	I_{ILC}	$V_{SC} = 0\text{ V}$	—	50	500	nA
Detection voltage	V_{SC}	—	1.225	1.245	1.265	V
		$T_a = -40\text{ }^\circ\text{C}$ to $+85\text{ }^\circ\text{C}$	1.205	1.245	1.285	V
Deviation of detection voltage	ΔV_{SC}	$V_{CC} = 3.5\text{ V}$ to 18 V	—	3	10	mV
Output leakage current	I_{OHC}	$V_{OHC} = 18\text{ V}$	—	0	1	μA
Output voltage	V_{OLC}	$I_{OUTC} = 4\text{ mA}$, $V_{SC} = 5\text{ V}$	—	0.15	0.4	V
Output sink current	I_{OUTC}	$V_{OLC} = 1.0\text{ V}$, $V_{SC} = 5\text{ V}$	6	15	—	mA
Reset operation minimum supply voltage	V_{CCL}	$V_{OLR} = 0.4\text{ V}$, $I_{RESET} = 200\text{ }\mu\text{A}$	—	0.8	1.2	V

2. AC Characteristics

($V_{CC} = 5\text{ V}$, $T_a = +25\text{ }^\circ\text{C}$, $C_T = 0.01\text{ }\mu\text{F}$)

Parameter	Symbol	Conditions	Value			Unit
			Min	Typ	Max	
V_{SA} , V_{SB} input pulse width	t_{PI}	—	5.0	—	—	μs
Reset hold time	t_{PO}	—	0.5	1.0	1.5	ms
$\overline{\text{RESET}}$ rise time	t_r	$R_L = 2.2\text{ k}\Omega$, $C_L = 100\text{ pF}$	—	1.0	1.5	μs
$\overline{\text{RESET}}$ fall time	t_f		—	0.1	0.5	μs
Propagation delay time	t_{PD}^{*1}	—	—	2	10	μs
	t_{PHL}^{*2}	$R_L = 2.2\text{ k}\Omega$, $C_L = 100\text{ pF}$	—	0.5	—	μs
	t_{PLH}^{*2}		—	1.0	—	μs

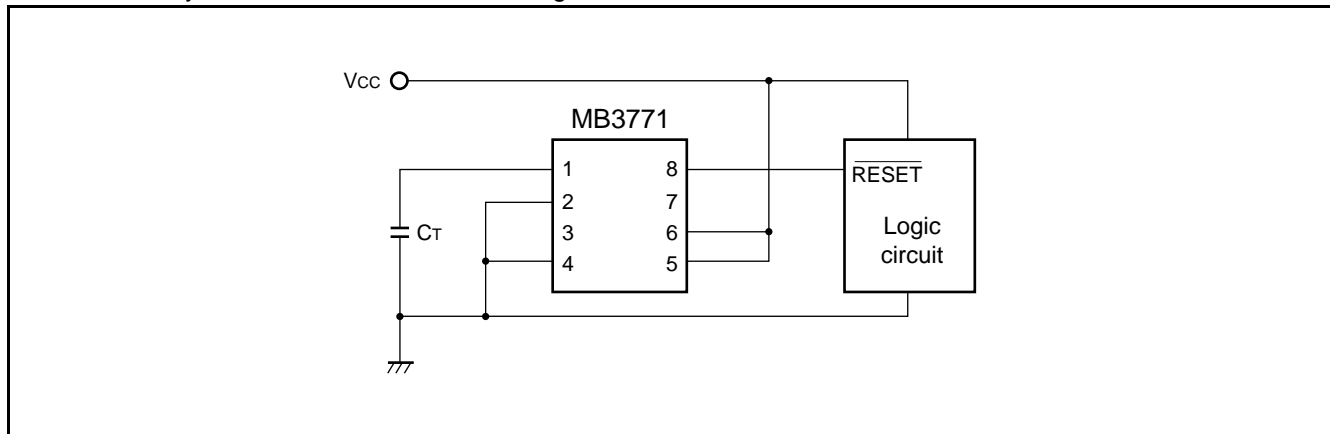
*1: In case of V_{SB} termination.

*2: In case of V_{SC} termination.

■ APPLICATION CIRCUIT

1. 5V Power Supply Monitor

Monitored by V_{SA} . Detection threshold voltage is V_{SAL} and V_{SAH}



2. 5V Power Supply Voltage Monitor (Externally Fine-Tuned Type)

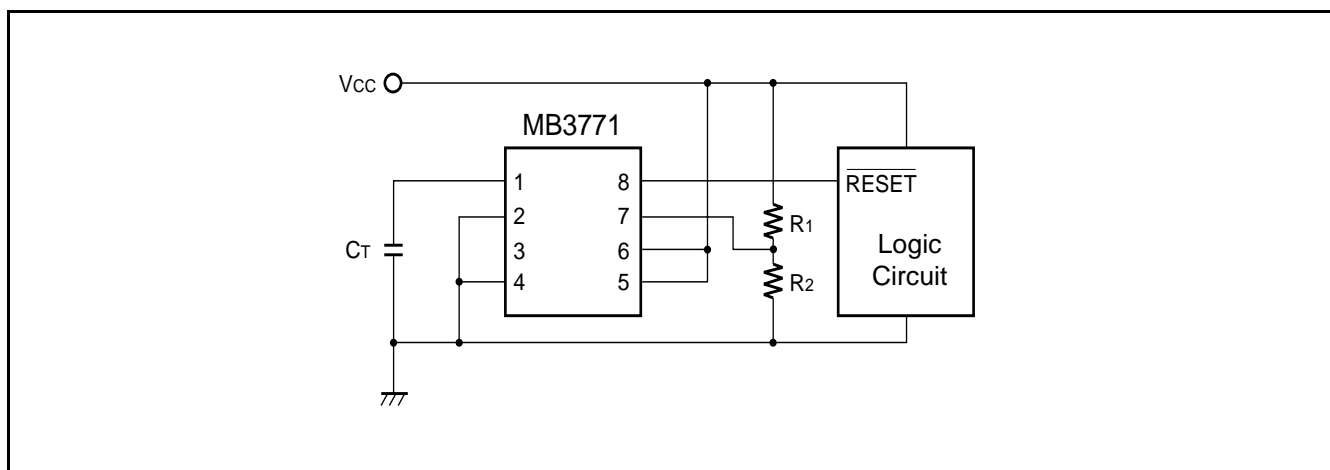
The V_{SA} detection voltage can be adjusted externally.

Resistance R_1 and R_2 are set sufficiently lower than the IC internal partial voltage resistance, so that the detection voltage can be set using the ratio between resistance R_1 and R_2 . (Refer to the table below).

- R_1 , R_2 calculation formula (when $R_1 \ll 100 \text{ k}\Omega$, $R_2 \ll 40 \text{ k}\Omega$)

$$V_{SAL} \doteq (R_1 + R_2) \times V_{SB} / R_2 \text{ [V]}, \quad V_{SAH} \doteq (R_1 + R_2) \times (V_{SB} + V_{HYSB}) / R_2 \text{ [V]}$$

R_1 (k Ω)	R_2 (k Ω)	Detection voltage : V_{SAL} (V)	Detection voltage : V_{SAH} (V)
10	3.9	4.37	4.47
9.1	3.9	4.11	4.20

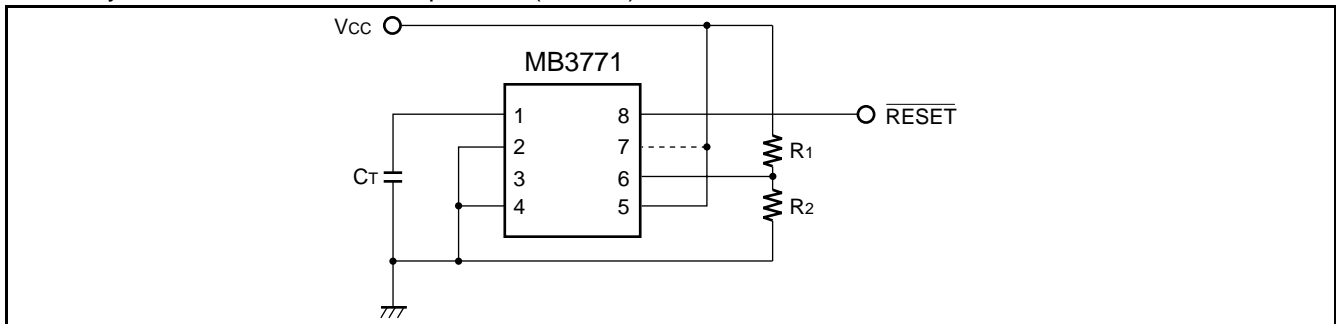


3. Arbitrary Voltage Supply Monitor

(1) Case: $V_{CC} \leq 18\text{ V}$

- Detection Voltage can be set by R_1 and R_2 .
Detection Voltage = $(R_1 + R_2) \times V_{SB}/R_2$
- Connect Pin 7 to V_{CC} when V_{CC} less than 4.45 V.
- Pin 7 can be opened when V_{CC} greater than 4.45 V
Power Dissipation can be reduced.

Note : Hysteresis of 28 mV at V_{SB} at termination is available.
Hysteresis width dose not depend on $(R_1 + R_2)$.

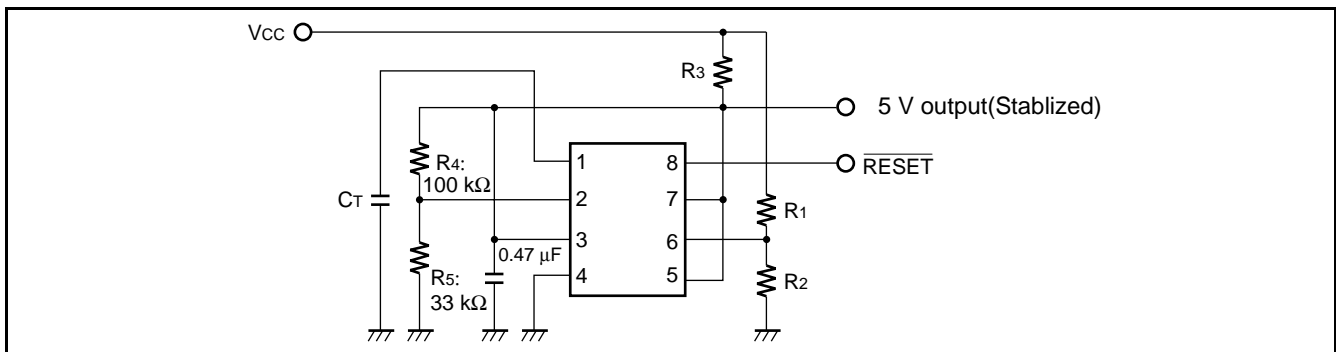


(2) Monitoring $V_{CC} > 18\text{ V}$

- Detection Voltage can be set by R_1 and R_2
Detection Voltage = $(R_1 + R_2) \times V_{SB}/R_2$
- The $\overline{\text{RESET}}$ signal output is $\neq 0\text{ V}$ (low level) and $\neq 5\text{ V}$ (high level). V_{CC} voltage cannot be output.
Do not pull up $\overline{\text{RESET}}$ to V_{CC} .
- Changing the resistance ratio between R_4 and R_5 changes the constant voltage output, thereby changing the voltage of the high level $\overline{\text{RESET}}$ output. Note that the constant voltage output should not exceed 18 V.
- The 5 V output can be used as a power supply for control circuits with low current consumption.
- In setting the R_3 resistance level, caution should be given to the power consumption in the resistor. The table below lists sample resistance values for reference (using $1/4\ \Omega$ resistance).

V_{CC} (V)	Detection voltage (V)	$\overline{\text{RESET}}$ Output min. power supply voltage (V)	R_1 (M Ω)	R_2 (k Ω)	R_3 (k Ω)	Output Current (mA)
140	100	6.7	1.6	20	110	< 0.2
100	81	3.8	1.3	20	56	< 0.5
40	33	1.4	0.51	20	11	< 1.6

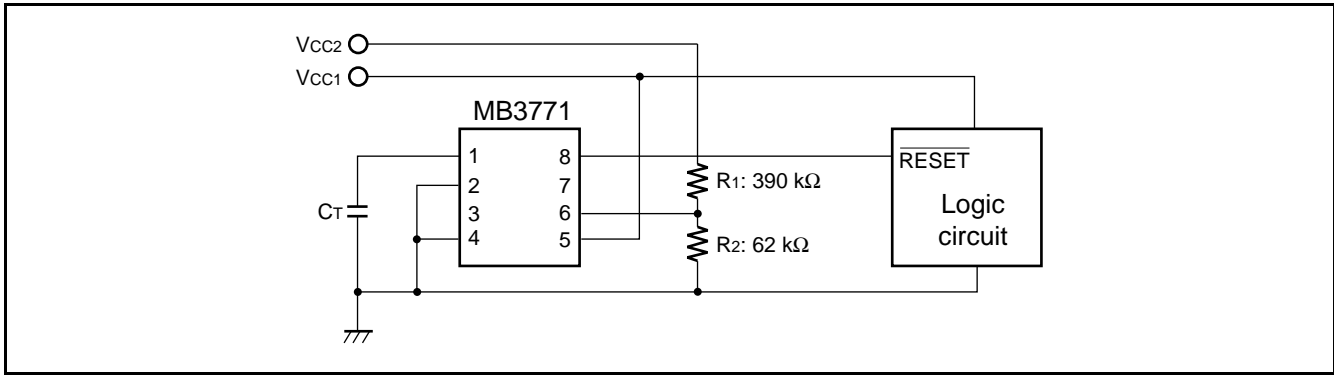
- Values are actual measured values (using $I_{OUTC} = 100\ \mu\text{A}$, $V_{OLC} = 0.4\text{ V}$). Lowering the resistance value of R_3 reduces the minimum supply voltage of the $\overline{\text{RESET}}$ output, but requires resistance with higher allowable loss.



4. 5 V and 12 V Power Supply Monitor (2 types of power supply monitor $V_{CC1} = 5\text{ V}$, $V_{CC2} = 12\text{ V}$)

- 5 V is monitored by V_{SA} . Detection voltage is about 4.2 V
- 12 V is monitored by V_{SB} . When $R_1 = 390\text{ k}\Omega$ and $R_2 = 62\text{ k}\Omega$, Detection voltage is about 9.0 V. Generally the detection voltage is determined by the following equation.

$$\text{Detection Voltage} = (R_1 + R_2) \times V_{SB}/R_2$$

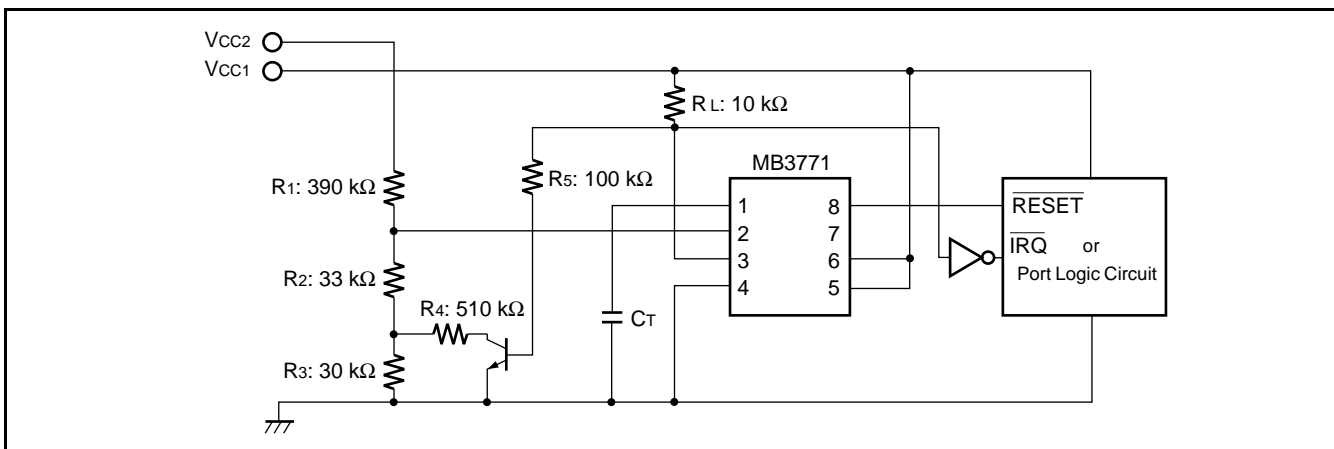


5. 5 V and 12 V Power Supply Monitor ($\overline{\text{RESET}}$ signal is generated by 5 V, $V_{CC1} = 5\text{ V}$, $V_{CC2} = 12\text{ V}$)

- 5 V is monitored by V_{SA} , and generates $\overline{\text{RESET}}$ signal when V_{SA} detects voltage sagging.
- 12 V is monitored by V_{SC} , and generates its detection signal at OUT_C .
- The detection voltage of 12 V monitoring and its hysteresis is determined by the following equations.

$$\text{Detection voltage} = \frac{R_1 + R_2 + R_3}{R_2 + R_3} \times V_{SC} \quad (8.95\text{ V in the circuit above})$$

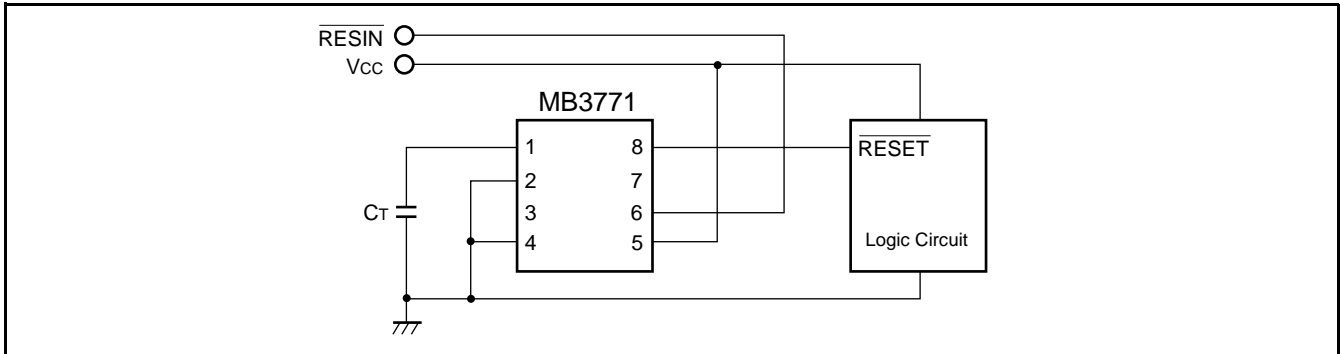
$$\text{Hysteresis width} = \frac{R_1 (R_3 - R_3 // R_4)}{(R_2 + R_3) (R_2 + R_3 // R_4)} \times V_{SC} \quad (200\text{ mV in the circuit above})$$



MB3771

6. 5 V Power Supply Monitor with forced $\overline{\text{RESET}}$ input ($V_{CC} = 5 \text{ V}$)

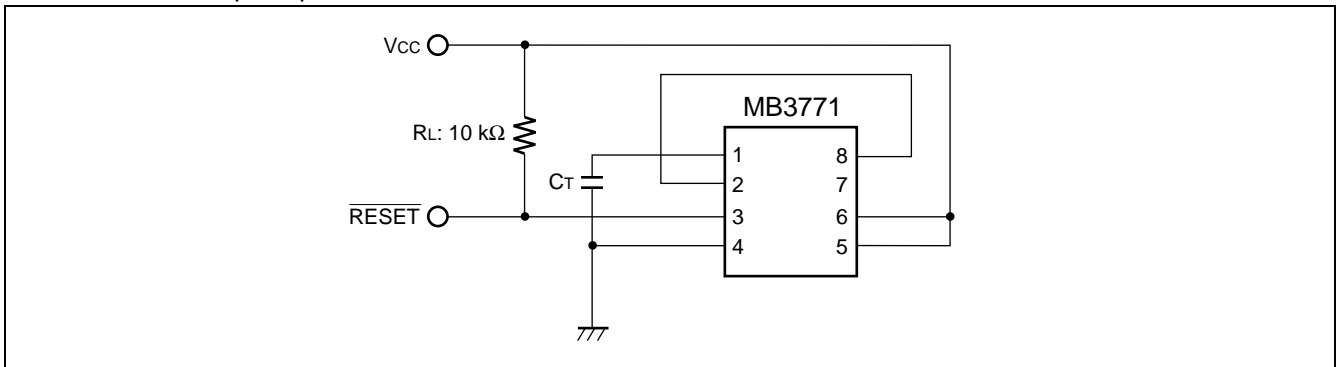
$\overline{\text{RESIN}}$ is an TTL compatible input.



7. 5 V Power Supply Monitor with Non-inverted $\overline{\text{RESET}}$

In this case, Comparator C is used to invert $\overline{\text{RESET}}$ signal. OUTC is an open-collector output.

RL is used as a pull-up resistor.

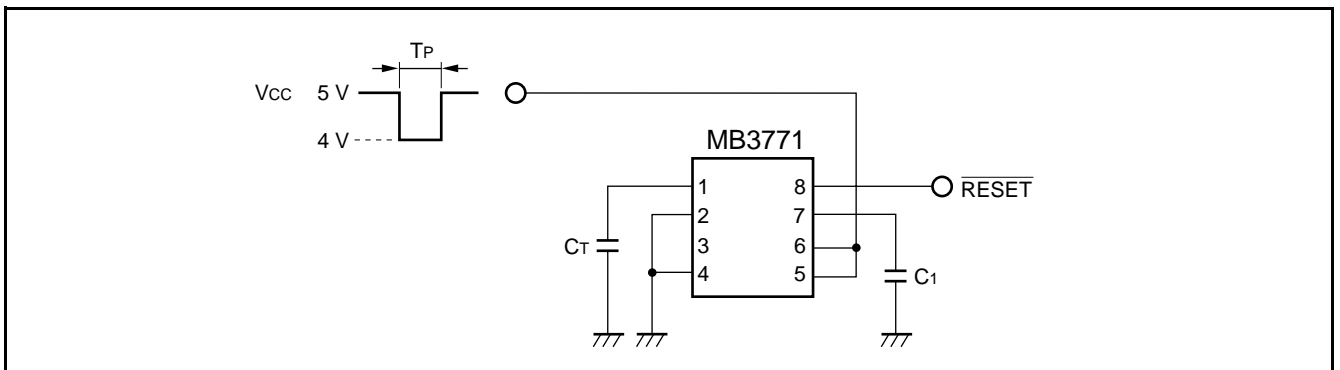


8. Supply Voltage Monitoring with Delayed Trigger

When the voltage shown in the diagram below is applied at V_{CC} , the minimum value of the input pulse width is increased to $40 \mu\text{s}$ (when $C_1 = 1000 \text{ pF}$).

The formula for calculating the minimum value of the input pulse width $[T_{PI}]$ is:

$$T_{PI} [\mu\text{s}] \doteq 4 \times 10^{-2} \times C_1 [\text{pF}]$$



9. Dual (Positive/Negative) Power Supply Voltage Monitoring ($V_{CC} = 5\text{ V}$, $V_{EE} = \text{Negative Power Supply}$)

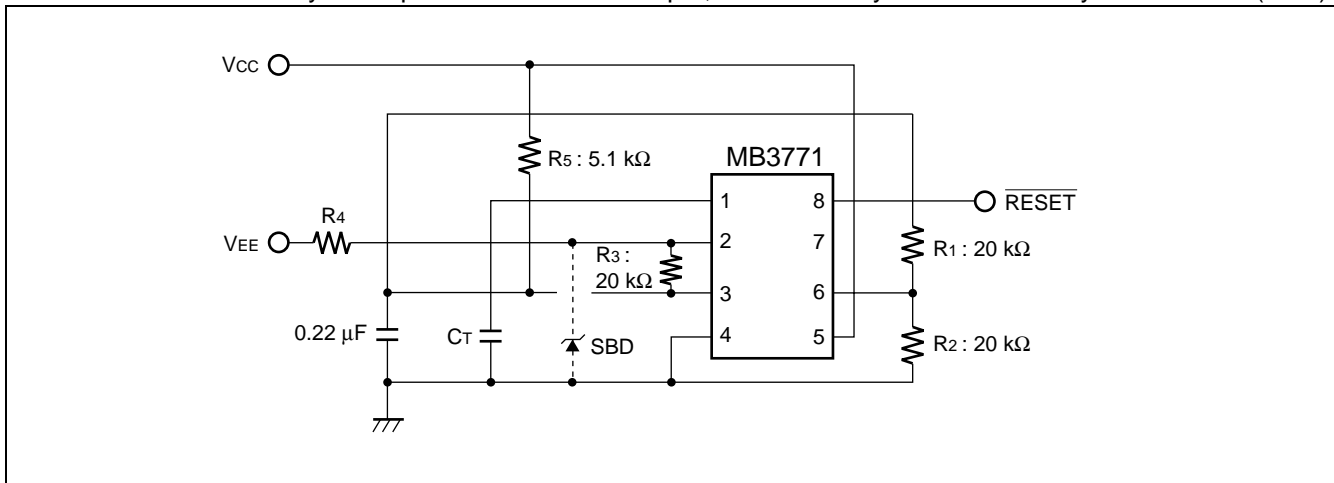
Monitors a 5 V and a negative (any given level) power supply. R_1 , R_2 , and R_3 should be the same value.

$$\text{Detection Voltage} = V_{SB} - V_{SB} \times R_4/R_3$$

Example if $V_{EE} = -5\text{ V}$, $R_4 = 91\text{ k}\Omega$

Then the detected voltage = -4.37 V

In cases where V_{EE} may be output when V_{CC} is not output, it is necessary to use a Schottky barrier diode (SBD).



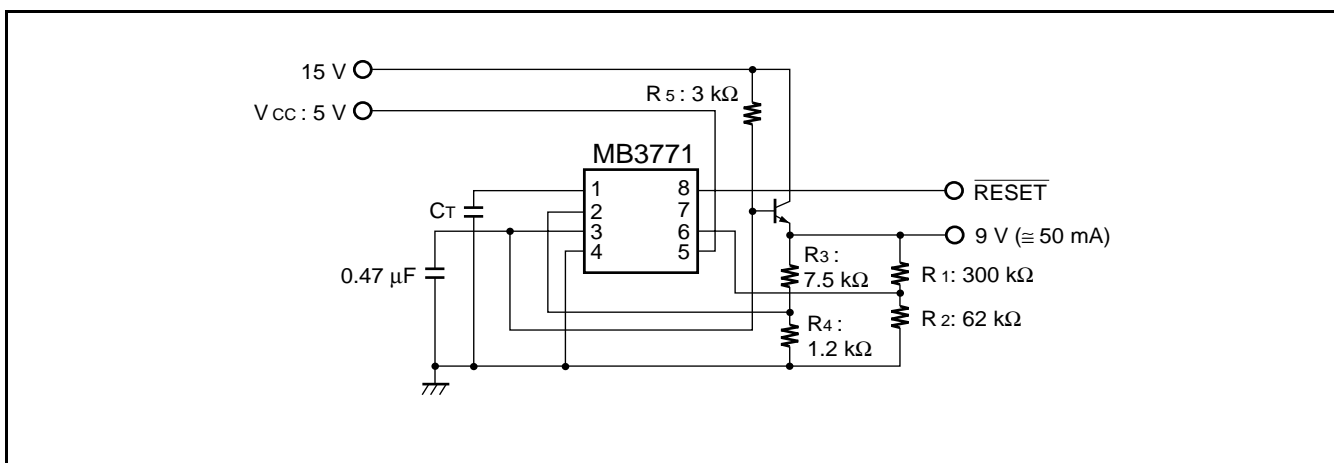
10. Reference Voltage Generation and Voltage Sagging Detection

(1) 9V Reference Voltage Generation and 5V/9V Monitoring

$$\text{Detection Voltage} = 7.2\text{ V}$$

In the above examples, the output voltage and the detection voltage are determined by the following equations:

$$\text{Detection Voltage} = (R_1 + R_2) \times V_{SB}/R_2$$



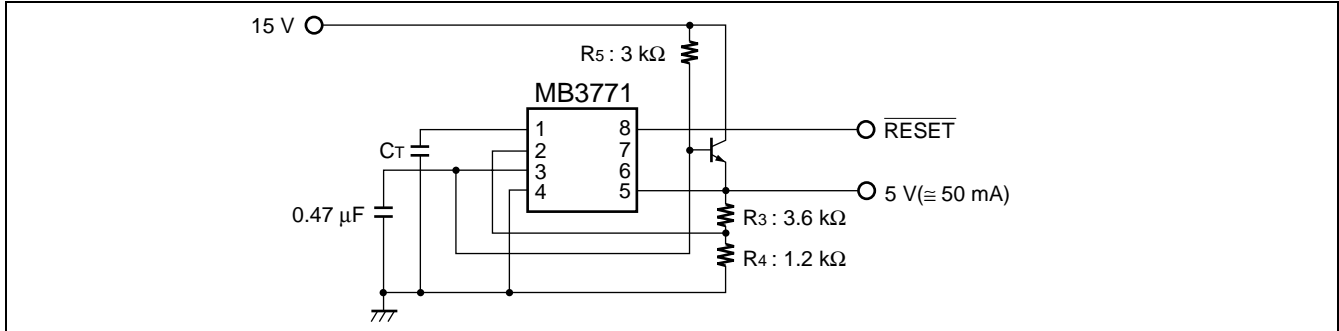
MB3771

(2) 5 V Reference Voltage Generation and 5V Monitoring (No.1)

Detection Voltage = 4.2 V

In the above examples, the output voltage and the detection voltage are determined by the following equations:

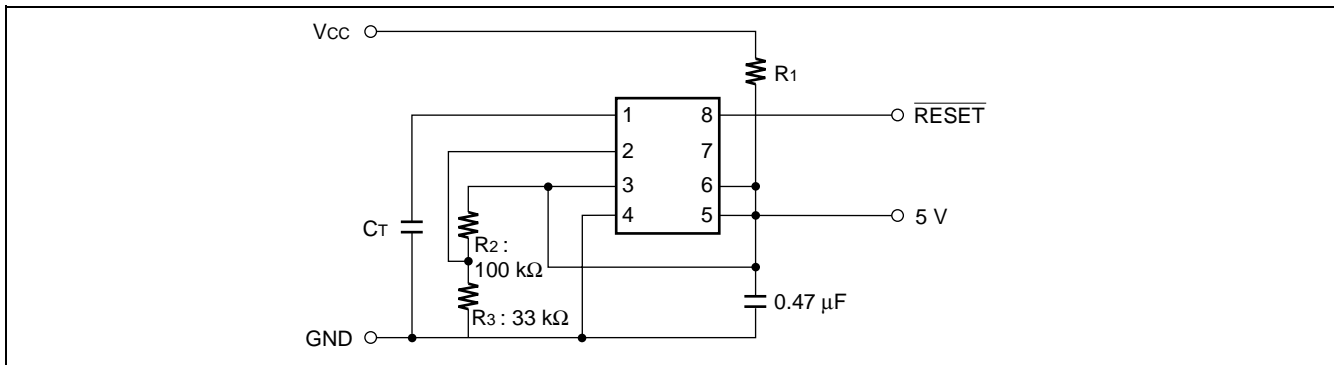
$$\text{Output Voltage} = (R_3 + R_4) \times V_{sc}/R_4$$



(3) 5 V Reference Voltage Generation and 5 V Monitoring (No. 2)

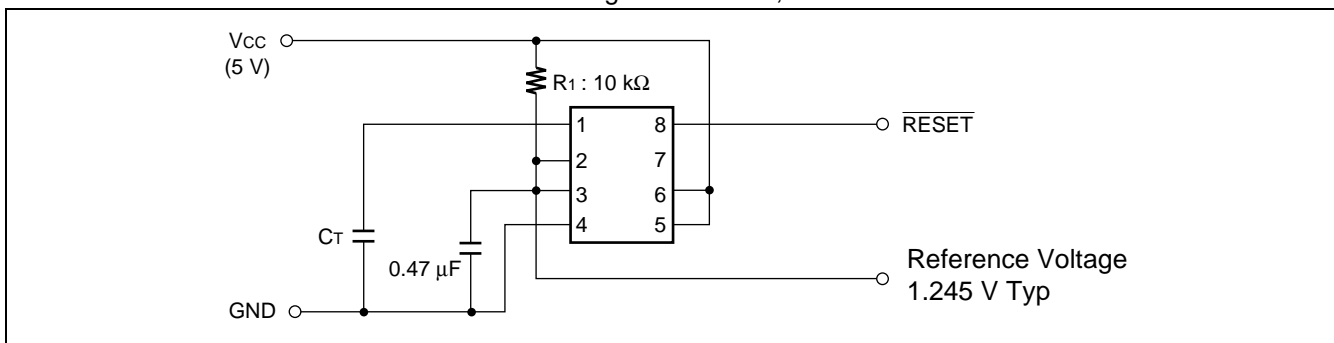
The value of R_1 should be calculated from the current consumption of the MB3771, the current flowing at R_2 and R_3 , and the 5 V output current. The table below provides sample resistance values for reference.

V_{cc} (V)	R_1 (k Ω)	Output Current (mA)
40	11	< 1.6
24	6.2	< 1.4
15	4.7	< 0.6



(4) 1.245 V Reference Voltage Generation and 5 V Monitoring

Resistor R_1 determines Reference current. Using 1.2 k Ω as R_1 , reference current is about 2 mA.

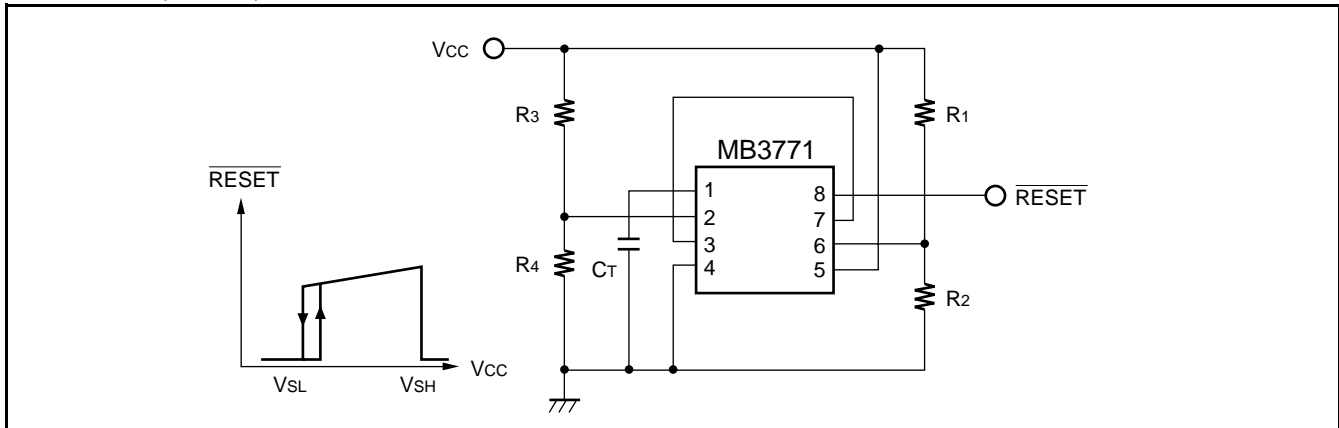


11. Low Voltage and Over Voltage Detection ($V_{CC} = 5\text{ V}$)

V_{SH} has no hysteresis. When over voltage is detected, $\overline{\text{RESET}}$ is held in the constant time as well as when low voltage is detected.

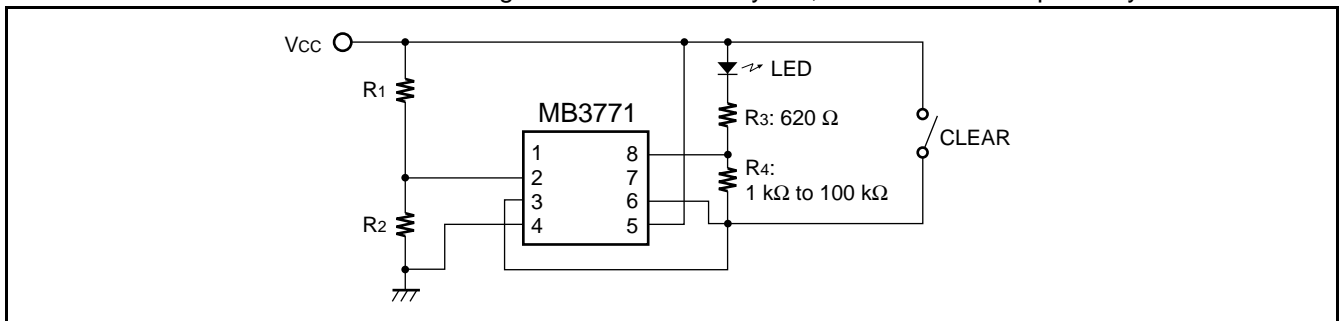
$$V_{SL} = (R_1 + R_2) \times V_{SB}/R_2$$

$$V_{SH} = (R_3 + R_4) \times V_{SC}/R_4$$



12. Detection of Abnormal State of Power Supply System ($V_{CC} = 5\text{ V}$)

- This Example circuit detects abnormal low/over voltage of power supply voltage and is indicated by LED indicator. LED is reset by the CLEAR key.
- The detection levels of low/over voltages are determined by V_{SA} , and R_1 and R_2 respectively.



13. Back-up Power Supply System ($V_{CC} = 5\text{ V}$)

- Use CMOS Logic and connect V_{DD} of CMOS logic with V_{CCO} .
- The back-up battery works after CS goes high as $V_2 < V_1$.
- During t_{PO} , memory access is prohibited.
- CS's threshold voltage V_1 is determined by the following equation:

$$V_1 = V_F + (R_1 + R_2 + R_3) \times V_{SB}/R_3$$

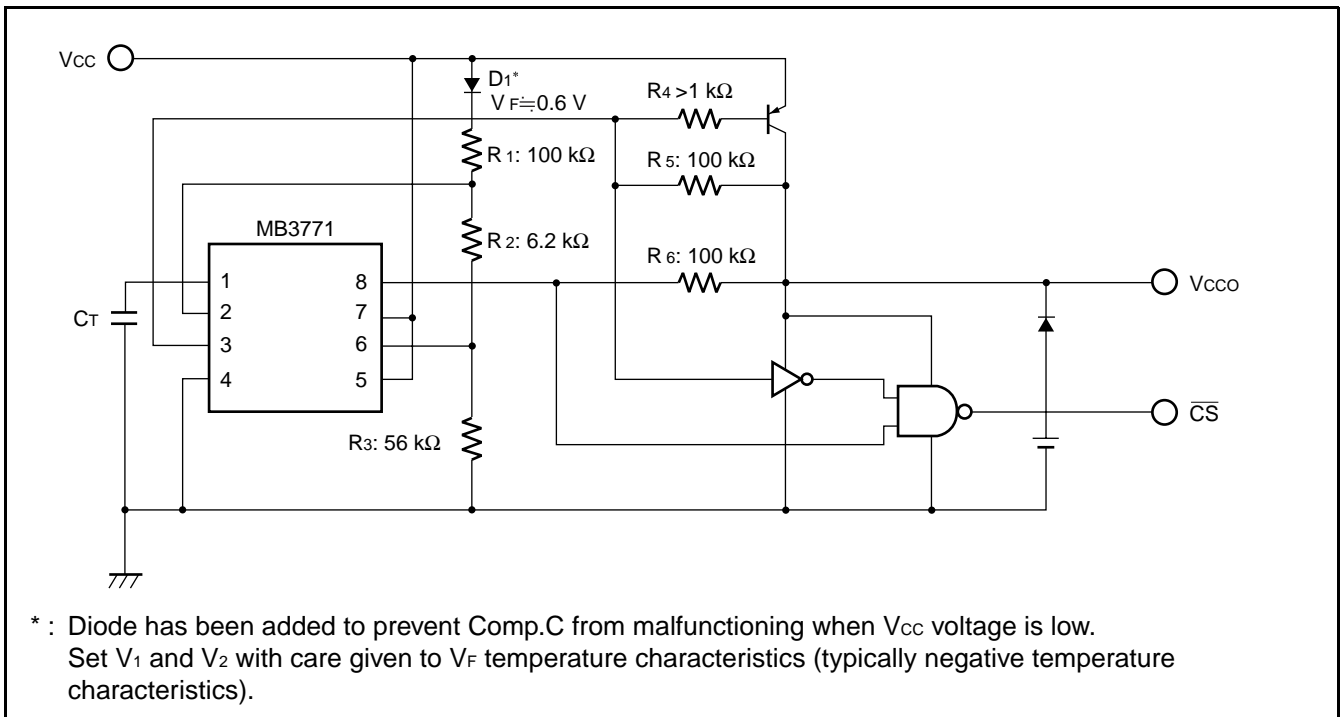
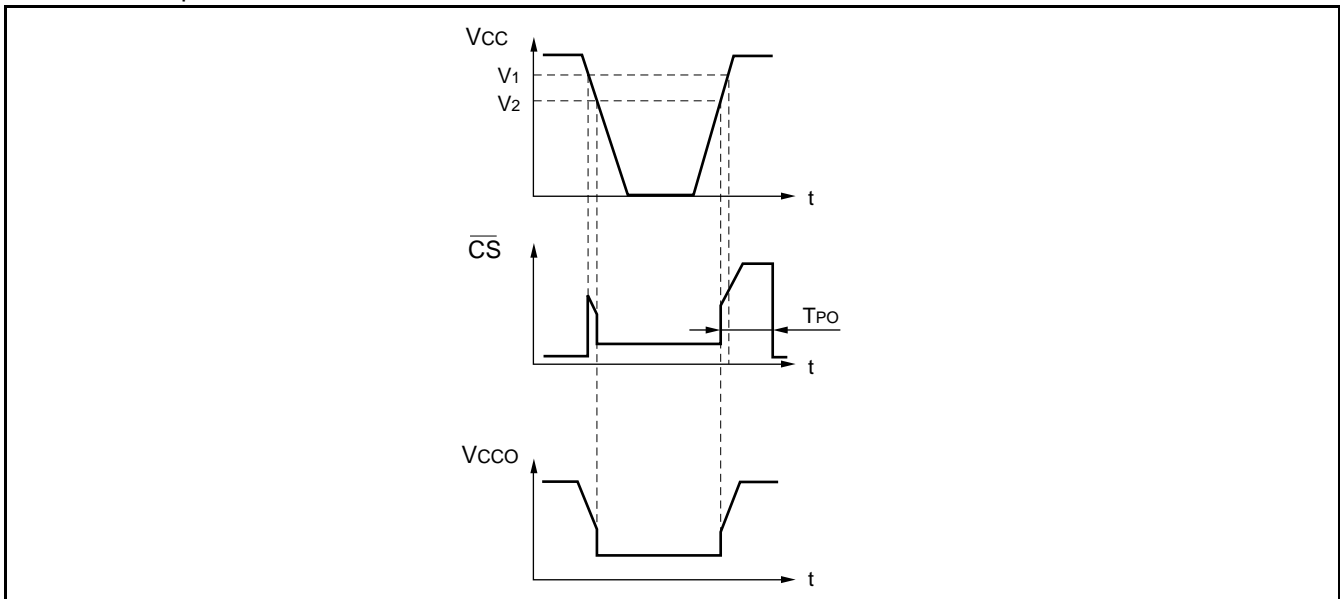
When V_1 is 4.45 V or less, connect 7 pin with V_{CC} .

When V_1 is 4.45 V or more, 7 pin can be used to open.

- The voltage to change V_2 is provided as the following equation:

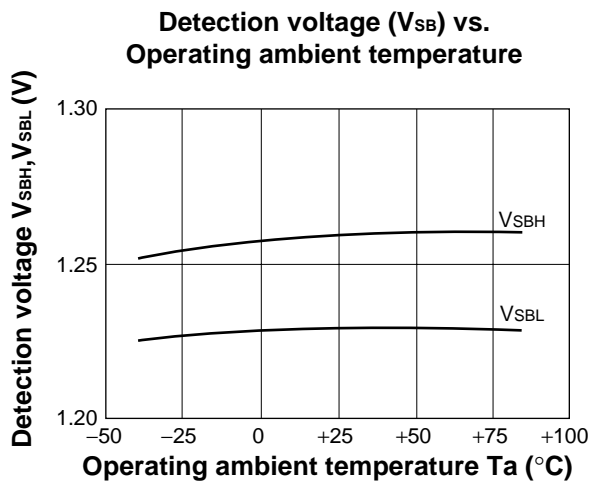
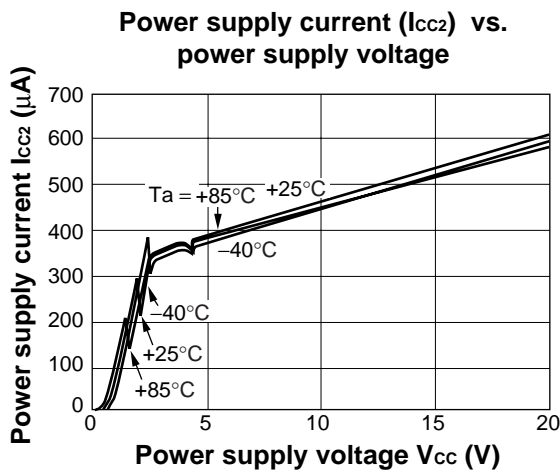
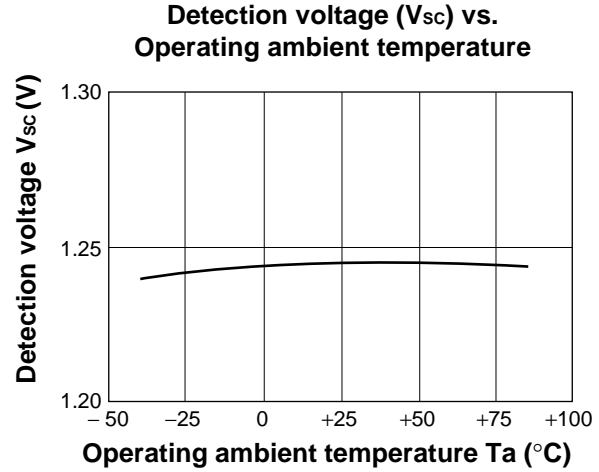
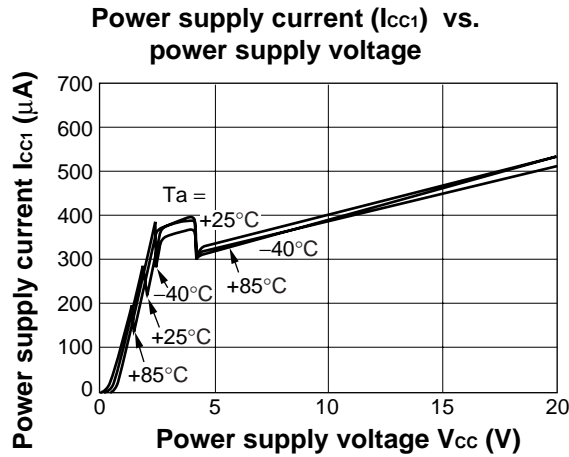
$$V_2 = V_F + (R_1 + R_2 + R_3) \times V_{SC}/(R_2 + R_3)$$

However, please set V_2 to 3.5 V or more.

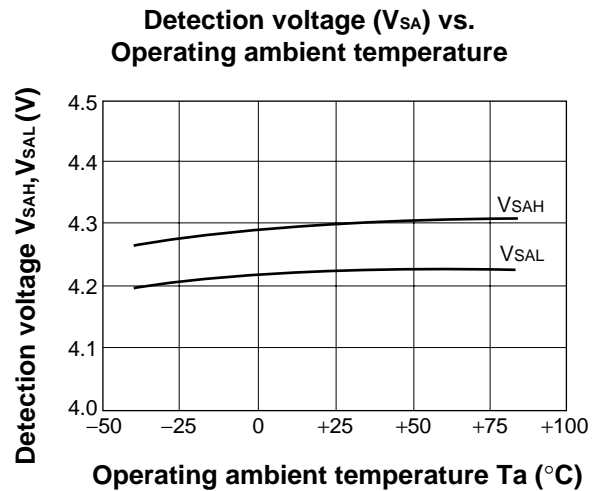
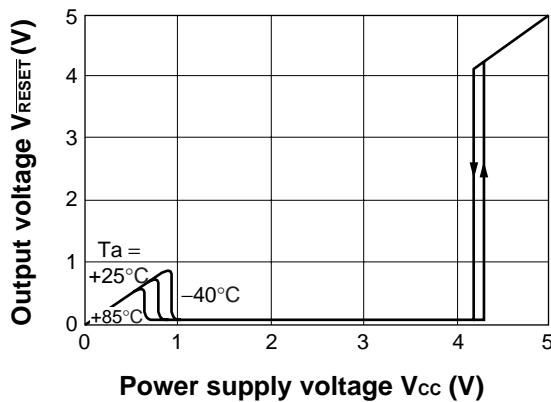


* : Diode has been added to prevent Comp.C from malfunctioning when V_{CC} voltage is low. Set V_1 and V_2 with care given to V_F temperature characteristics (typically negative temperature characteristics).

TYPICAL CHARACTERISTICS



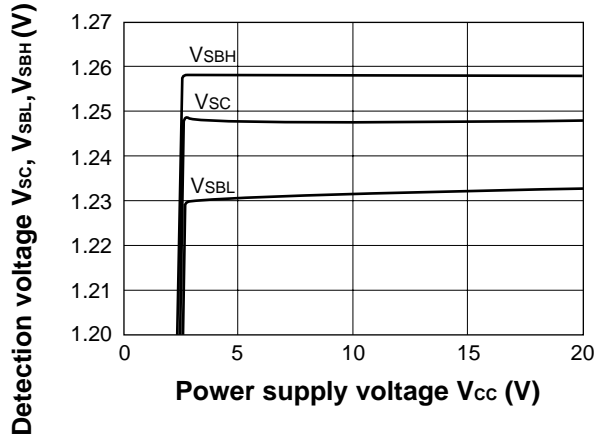
Output voltage ($\overline{\text{RESET}}$) vs. power supply voltage



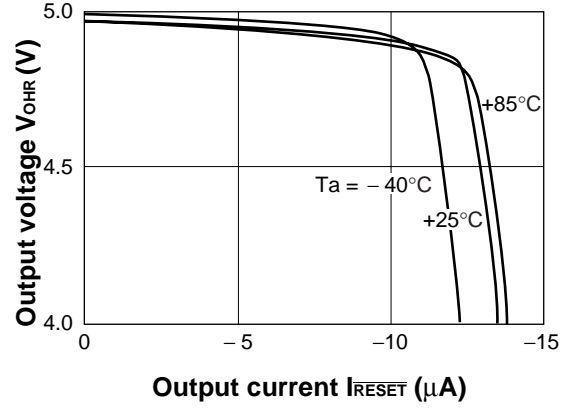
(Continued)

(Continued)

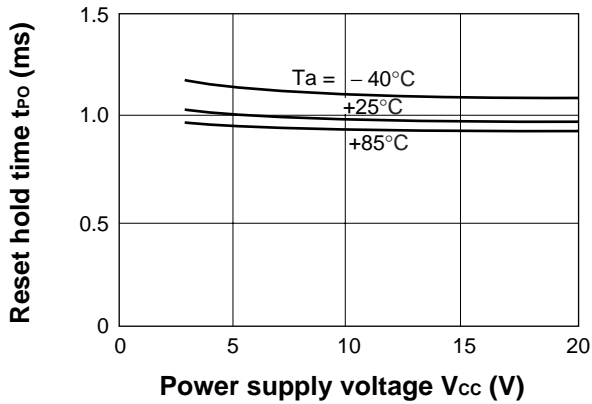
Detection voltage (V_{SB} , V_{SC}) vs. Power supply voltage



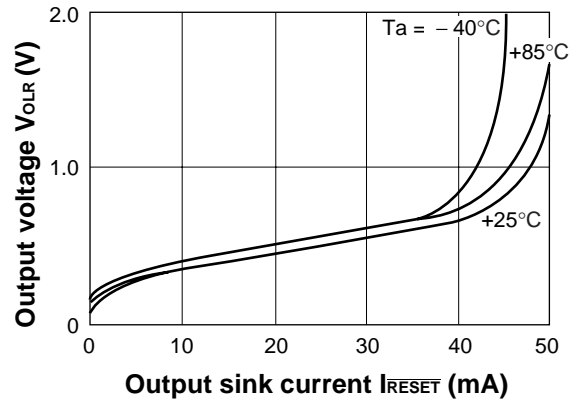
Output voltage (V_{OHR}) vs. output current



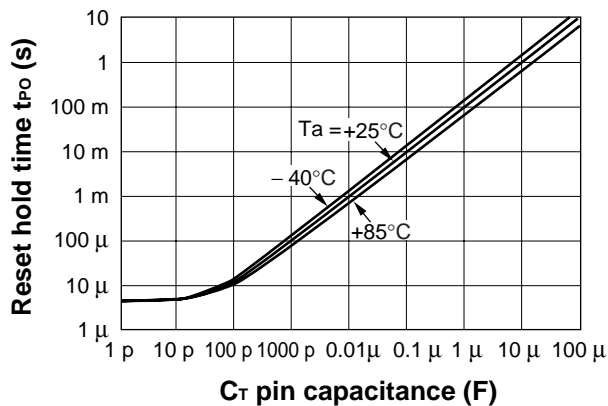
Reset hold time (t_{PO}) vs. power supply voltage ($C_T = 0.01\mu F$)



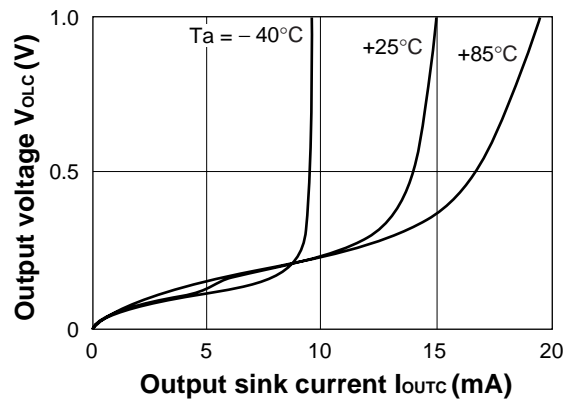
Output voltage (V_{OLR}) vs. output sink current



Reset hold time (t_{PO}) vs. C_T pin capacitance



Output voltage (V_{OLC}) vs. output sink current



■ NOTES ON USE

- Take account of common impedance when designing the earth line on a printed wiring board.
- Take measures against static electricity.
 - For semiconductors, use antistatic or conductive containers.
 - When storing or carrying a printed circuit board after chip mounting, put it in a conductive bag or container.
 - The work table, tools and measuring instruments must be grounded.
 - The worker must put on a grounding device containing 250 kΩ to 1 MΩ resistors in series.
- Do not apply a negative voltage
 - Applying a negative voltage of -0.3 V or less to an LSI may generate a parasitic transistor, resulting in malfunction.

■ ORDERING INFORMATION

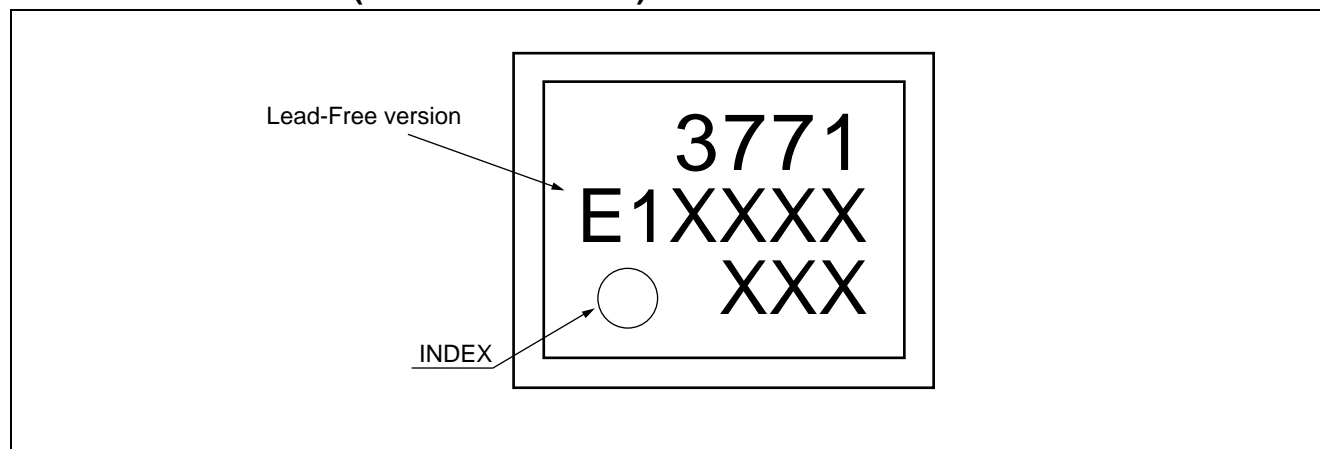
Part number	Package	Remarks
MB3771PF-□□□	8-pin Plastic SOP (FPT-8P-M01)	Conventional version
MB3771PF-□□□E1	8-pin Plastic SOP (FPT-8P-M01)	Lead Free version

■ RoHS Compliance Information of Lead (Pb) Free version

The LSI products of Fujitsu Microelectronics with “E1” are compliant with RoHS Directive , and has observed the standard of lead, cadmium, mercury, Hexavalent chromium, polybrominated biphenyls (PBB) , and polybrominated diphenyl ethers (PBDE) .

The product that conforms to this standard is added “E1” at the end of the part number.

■ MARKING FORMAT (Lead Free version)



■ LABELING SAMPLE (Lead free version)

The image shows a rectangular label with the following text and markings:

- Top line: MB123456P - 789 - GE1
- Second line: (3N) 1MB123456P-789-GE1 1000
- Third line: (3N)2 1561190005 107210
- Fourth line: 1,000 PCS
- Fifth line: MB123456P - 789 - GE1
- Sixth line: 2006/03/01 ASSEMBLED IN JAPAN
- Bottom section (separated by a dashed line):
 - Line 1: MB123456P - 789 - GE1
 - Line 2: 1561190005 1/1 0605 - Z01A 1000

Additional markings and labels:

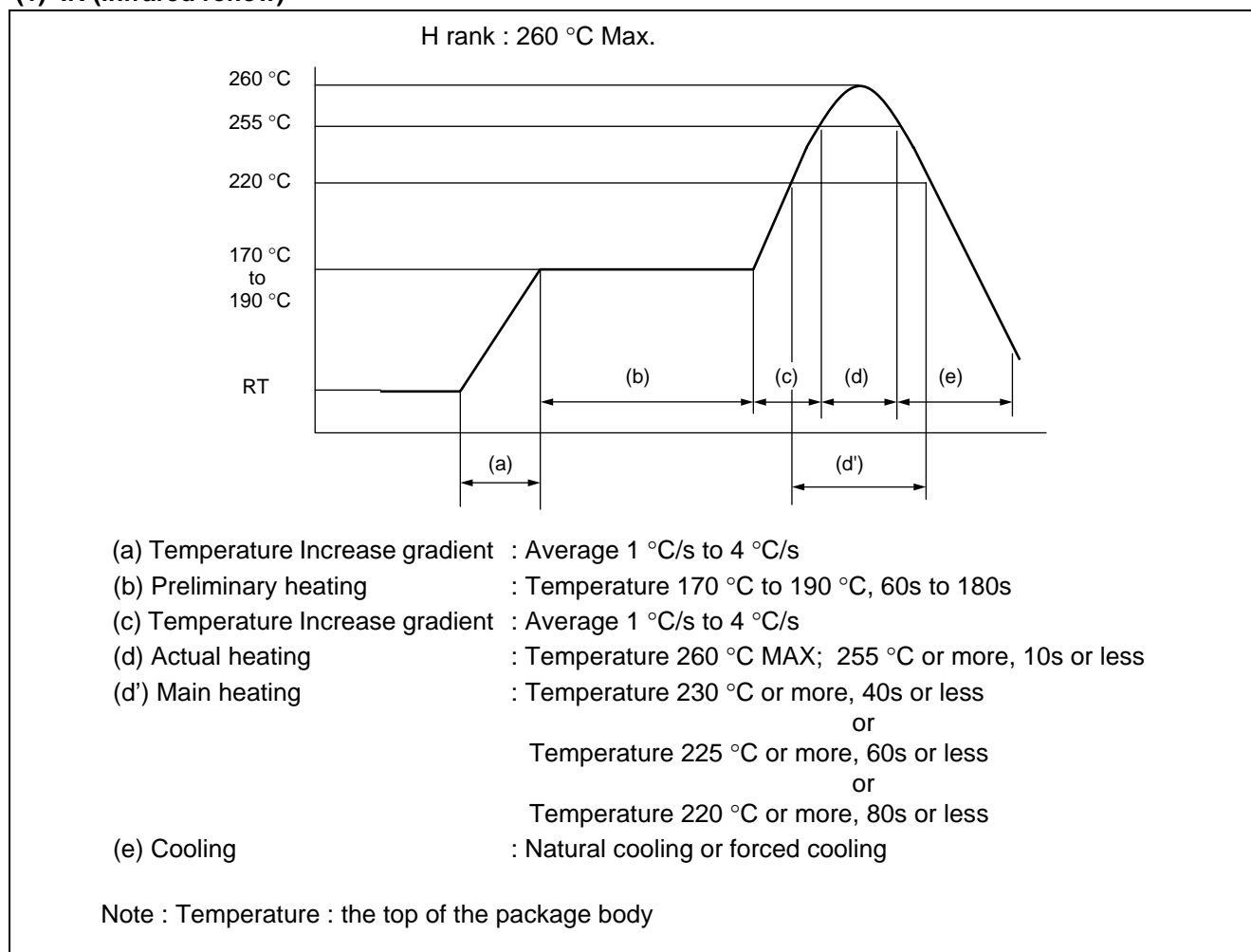
- JEITA logo: A square box containing the letter 'G'.
- JEDEC logo: A circle containing the letters 'Pb' with a diagonal slash through it.
- Text 'lead-free mark' with arrows pointing to the JEITA and JEDEC logos.
- Text 'QC PASS' located to the right of the second and third lines.
- Text 'Lead-Free version' with an arrow pointing to the '1/1' in the bottom section.

■ MB3771PF-□□□E1 Recommended Conditions of Moisture Sensitivity Level

Item	Condition	
Mounting Method	IR (infrared reflow) , Manual soldering (partial heating method)	
Mounting times	2 times	
Storage period	Before opening	Please use it within two years after Manufacture.
	From opening to the 2nd reflow	Less than 8 days
	When the storage period after opening was exceeded	Please processes within 8 days after baking (125 °C, 24H)
Storage conditions	5 °C to 30 °C, 70%RH or less (the lowest possible humidity)	

[Temperature Profile for FJ Standard IR Reflow]

(1) IR (infrared reflow)



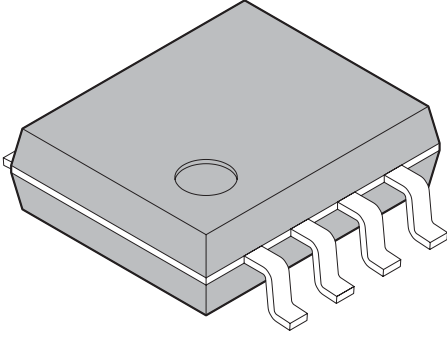
(2) Manual soldering (partial heating method)

Conditions : Temperature 400 °C MAX

Times : 5 s max/pin

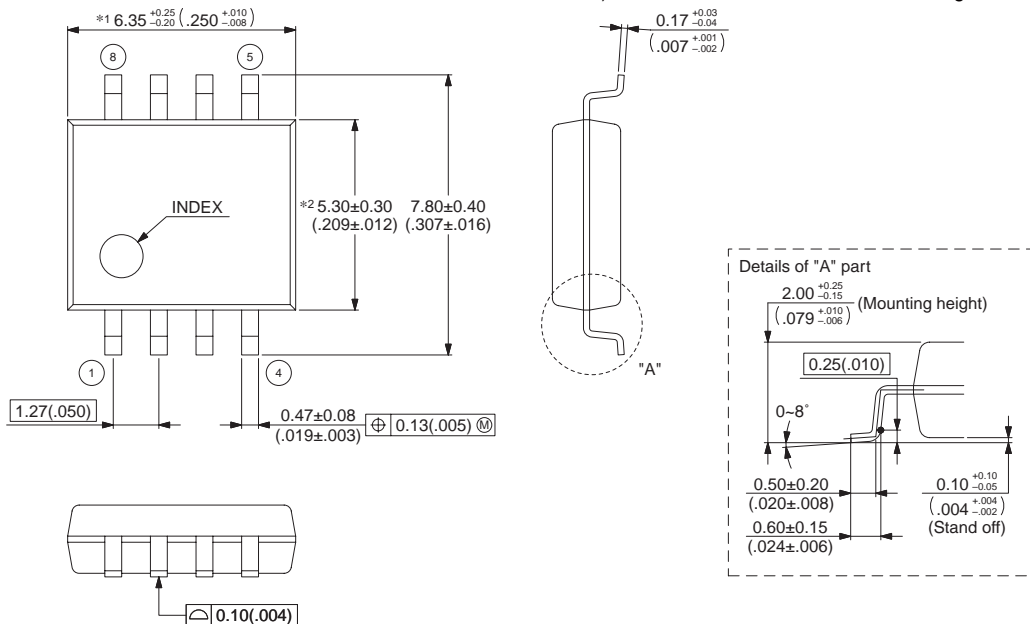
MB3771

PACKAGE DIMENSIONS

<p>8-pin plastic SOP</p>  <p>(FPT-8P-M01)</p>	Lead pitch	1.27 mm
	Package width × package length	5.3 × 6.35 mm
	Lead shape	Gullwing
	Sealing method	Plastic mold
	Mounting height	2.25 mm MAX
	Weight	0.10 g
	Code (Reference)	P-SOP8-5.3×6.35-1.27

8-pin plastic SOP (FPT-8P-M01)

Note 1) *1 : These dimensions include resin protrusion.
 Note 2) *2 : These dimensions do not include resin protrusion.
 Note 3) Pins width and pins thickness include plating thickness.
 Note 4) Pins width do not include tie bar cutting remainder.



Top view dimensions:
 *1 6.35^{+0.25}_{-0.20} (.250^{+0.010}_{-0.008})
 *2 5.30±0.30 (.209±.012) 7.80±0.40 (.307±.016)
 INDEX
 1.27(.050)
 0.47±0.08 (.019±.003) ⌀ 0.13(.005) Ⓣ
 0.10(.004)

Side view dimensions:
 0.17^{+0.03}_{-0.04} (.007^{+0.001}_{-0.002})

Details of "A" part:
 2.00^{+0.25}_{-0.15} (.079^{+0.010}_{-0.006}) (Mounting height)
 0.25(.010)
 0-8°
 0.50±0.20 (.020±.008)
 0.60±0.15 (.024±.006)
 0.10^{+0.10}_{-0.05} (.004^{+0.004}_{-0.002}) (Stand off)

© 2002 FUJITSU LIMITED F08002S-c-6-7

Dimensions in mm (inches).
 Note: The values in parentheses are reference values.

MEMO

MEMO

MEMO

FUJITSU MICROELECTRONICS LIMITED

Shinjuku Dai-Ichi Seimei Bldg. 7-1, Nishishinjuku 2-chome, Shinjuku-ku,
Tokyo 163-0722, Japan Tel: +81-3-5322-3347 Fax: +81-3-5322-3387
<http://jp.fujitsu.com/fml/en/>

For further information please contact:

North and South America

FUJITSU MICROELECTRONICS AMERICA, INC.
1250 E. Arques Avenue, M/S 333
Sunnyvale, CA 94085-5401, U.S.A.
Tel: +1-408-737-5600 Fax: +1-408-737-5999
<http://www.fma.fujitsu.com/>

Europe

FUJITSU MICROELECTRONICS EUROPE GmbH
Pittlerstrasse 47, 63225 Langen,
Germany
Tel: +49-6103-690-0 Fax: +49-6103-690-122
<http://emea.fujitsu.com/microelectronics/>

Korea

FUJITSU MICROELECTRONICS KOREA LTD.
206 KOSMO TOWER, 1002 Daechi-Dong,
Kangnam-Gu, Seoul 135-280
Korea
Tel: +82-2-3484-7100 Fax: +82-2-3484-7111
<http://www.fmk.fujitsu.com/>

Asia Pacific

FUJITSU MICROELECTRONICS ASIA PTE LTD.
151 Lorong Chuan, #05-08 New Tech Park,
Singapore 556741
Tel: +65-6281-0770 Fax: +65-6281-0220
<http://www.fujitsu.com/sg/services/micro/semiconductor/>

FUJITSU MICROELECTRONICS SHANGHAI CO., LTD.
Rm.3102, Bund Center, No.222 Yan An Road(E),
Shanghai 200002, China
Tel: +86-21-6335-1560 Fax: +86-21-6335-1605
<http://cn.fujitsu.com/fmc/>

FUJITSU MICROELECTRONICS PACIFIC ASIA LTD.
10/F., World Commerce Centre, 11 Canton Road
Tsimshatsui, Kowloon
Hong Kong
Tel: +852-2377-0226 Fax: +852-2376-3269
<http://cn.fujitsu.com/fmc/tw>

All Rights Reserved.

The contents of this document are subject to change without notice.

Customers are advised to consult with sales representatives before ordering.

The information, such as descriptions of function and application circuit examples, in this document are presented solely for the purpose of reference to show examples of operations and uses of FUJITSU MICROELECTRONICS device; FUJITSU MICROELECTRONICS does not warrant proper operation of the device with respect to use based on such information. When you develop equipment incorporating the device based on such information, you must assume any responsibility arising out of such use of the information.

FUJITSU MICROELECTRONICS assumes no liability for any damages whatsoever arising out of the use of the information.

Any information in this document, including descriptions of function and schematic diagrams, shall not be construed as license of the use or exercise of any intellectual property right, such as patent right or copyright, or any other right of FUJITSU MICROELECTRONICS or any third party or does FUJITSU MICROELECTRONICS warrant non-infringement of any third-party's intellectual property right or other right by using such information. FUJITSU MICROELECTRONICS assumes no liability for any infringement of the intellectual property rights or other rights of third parties which would result from the use of information contained herein.

The products described in this document are designed, developed and manufactured as contemplated for general use, including without limitation, ordinary industrial use, general office use, personal use, and household use, but are not designed, developed and manufactured as contemplated (1) for use accompanying fatal risks or dangers that, unless extremely high safety is secured, could have a serious effect to the public, and could lead directly to death, personal injury, severe physical damage or other loss (i.e., nuclear reaction control in nuclear facility, aircraft flight control, air traffic control, mass transport control, medical life support system, missile launch control in weapon system), or (2) for use requiring extremely high reliability (i.e., submersible repeater and artificial satellite).

Please note that FUJITSU MICROELECTRONICS will not be liable against you and/or any third party for any claims or damages arising in connection with above-mentioned uses of the products.

Any semiconductor devices have an inherent chance of failure. You must protect against injury, damage or loss from such failures by incorporating safety design measures into your facility and equipment such as redundancy, fire protection, and prevention of over-current levels and other abnormal operating conditions.

Exportation/release of any products described in this document may require necessary procedures in accordance with the regulations of the Foreign Exchange and Foreign Trade Control Law of Japan and/or US export control laws.

The company names and brand names herein are the trademarks or registered trademarks of their respective owners.