



Elm Road, West Chirton Industrial Estate, North Shields,
NE29 8SE, ENGLAND. TEL +44 (0191) 2930500. FAX +44 (0191)
2590997

2M x 8 SRAM MODULE

SYS82000RKX - 70/85/10/12

Issue 1.6 : February 1999

Description

The SYS82000RKX is a plastic 16Mbit Static RAM Module housed in a standard 36 pin Single-In-Line package organised as 2M x 8. This offers an extremely high PCB packing density.

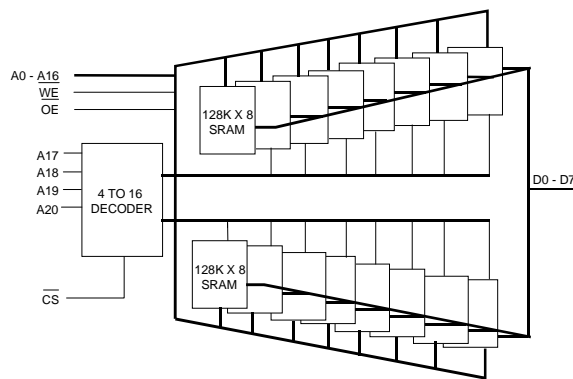
The module is constructed using sixteen 128Kx8 SRAMs in TSOP packages mounted onto both sides of an FR4 epoxy substrate. Access times are 70, 85, 100 and 120ns.

The SYS82000RKX is offered in standard and low power versions, with the -L module having a low voltage data retention mode for battery backed applications.

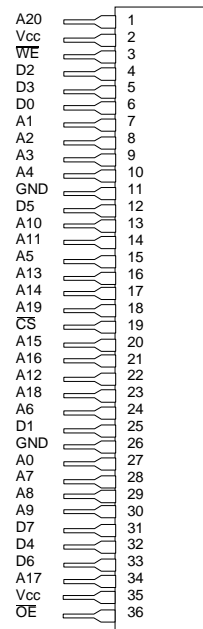
Features

- Access Times of 70/85/100/120ns.
- 36 Pin Single-In-Line package.
- 5 Volt Supply $\pm 10\%$.
- Low Power Dissipation 100/120ns :
Average (min cycle) 798 mW (max).
Standby (CMOS, -L) 11 mW (max).
- Completely Static Operation.
- Low Voltage V_{CC} Data Retention.
- Directly TTL Compatible.
- On-board Decoding & Capacitors.
- Compatible with SYS8512RKX & SYS81000RKXB

Block Diagram



Pin Definition



Pin Functions

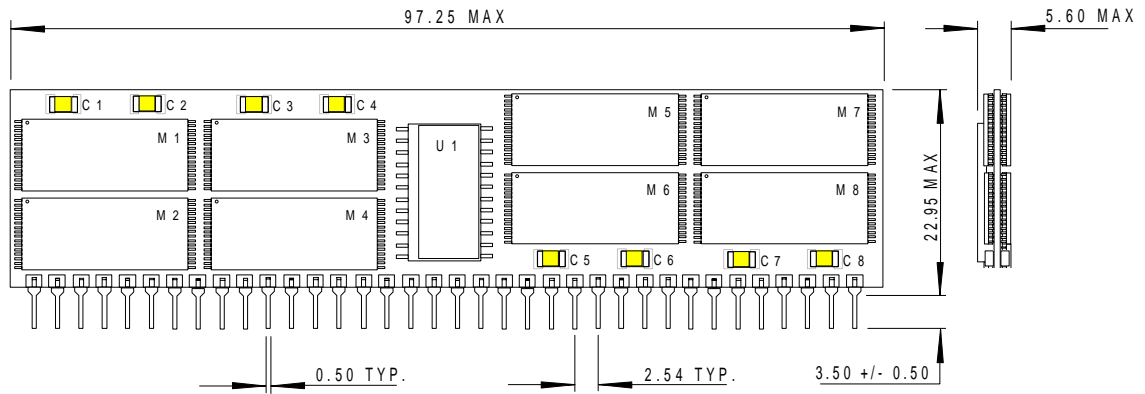
Address Inputs	A0 ~ A20
Data Input/Output	D0 ~ D7
Chip Select	\overline{CS}
Write Enable	\overline{WE}
Output Enable	\overline{OE}
No Connect	NC
Power (+5V)	V_{CC}
Ground	GND

Package Details

Plastic 36 Pin Single-In-Line (SIP)

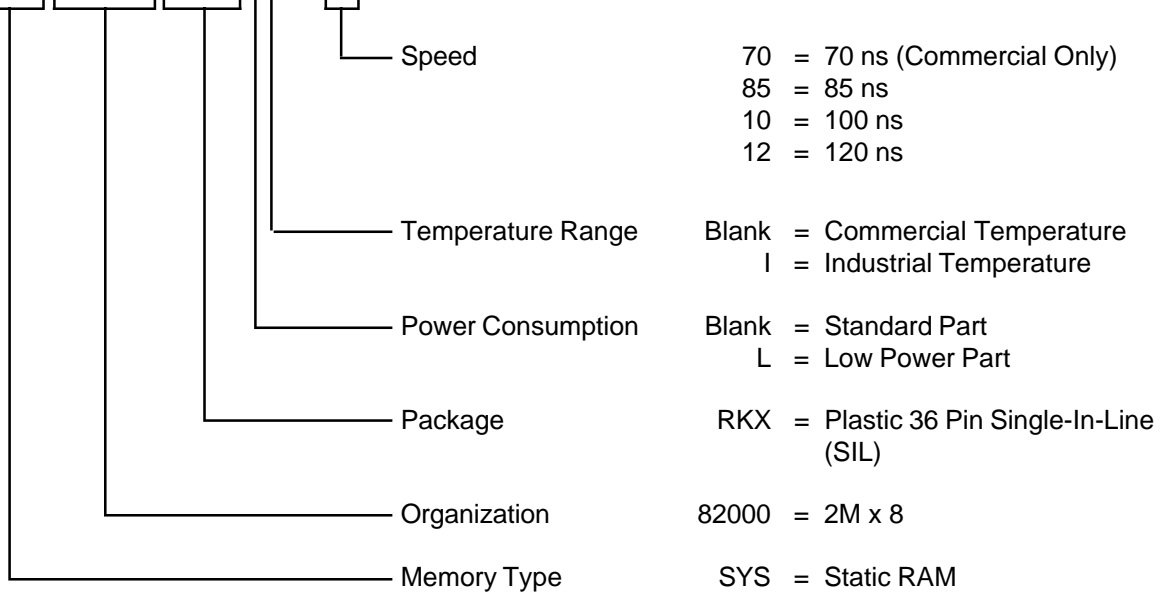
Package Information Dimensions in mm

Plastic 36 Pin Single-In-Line (SIL)



Ordering Information

SYS82000RKXLI - 70



Note :

Although this data is believed to be accurate, the information contained herein is not intended to and does not create any warranty of merchantability or fitness for a particular purpose. Our products are subject to a constant process of development. Data may be changed at any time without notice. Products are not authorised for use as critical components in life support devices without the express written approval of a company director.