



64K x 24 SRAM MODULE

SYS2464ZKX-12/15/20/25/35

Elm Road, West Chirton Industrial Estate, North Shields,
NE29 8SE, ENGLAND. TEL +44 191 2930500. FAX +44 191
2590997

Issue 1.0 : June 1996

Description

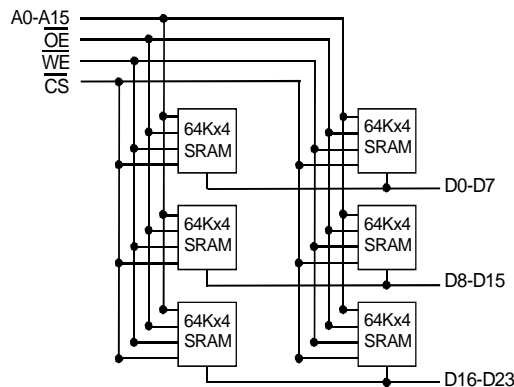
The SYS2464 is a 1,572,864 bit Static RAM organised as 64K x 24 with access time of 12, 15, 20, 25 and 35ns. The module consists of six 64Kx4 SOJ SRAM's, surface mounted on both sides of an FR4 Epoxy substrate. This offers an extremely high packing density.

The device has equal access and cycle times, is directly TTL compatible, and is offered in standard and low power versions. The -L version has data retention capability and can be used in battery backup applications.

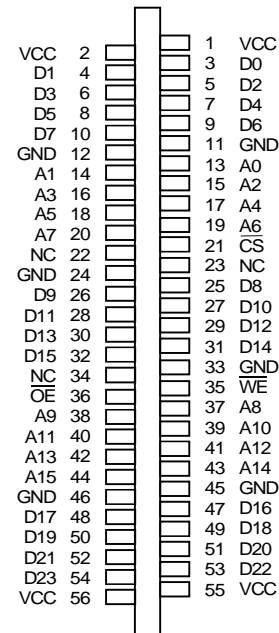
Features

- Access Times of 12/15/20/25/35 ns.
- 56 Pin ZIP package.
- Operating Power (24 bit mode) 5.3 W Max.
- Standby Power (CMOS) -L 1.0 W Max.
- 5 Volt Supply \pm 10%.
- Completely Static Operation.
- Equal Access and Cycle Times.
- All Inputs and Outputs Directly TTL Compatible.
- On-board Supply Decoupling Capacitors.
- Data Retention Capability (-L version only).

Block Diagram



Pin Definition



Pin Functions

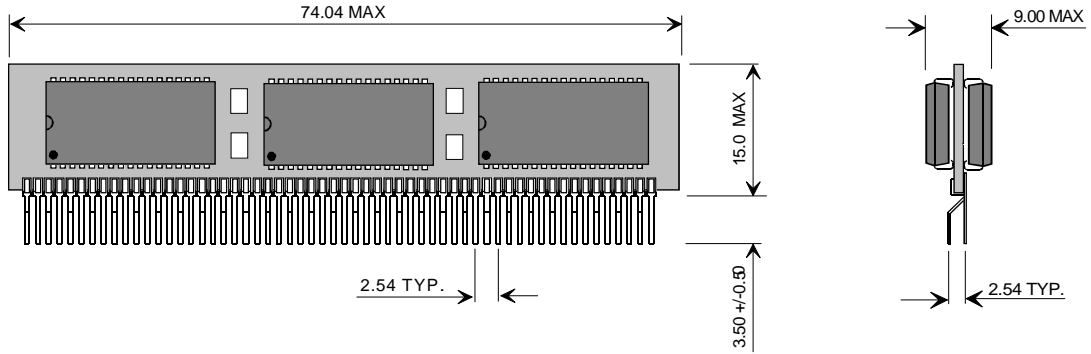
Address Inputs	A0 - A15
Data Input/Output	D0 - D23
Chip Select	CS
Write Enable	WE
Output Enable	OE
No Connect	NC
Power (+5V)	V_{cc}
Ground	GND

Package Details

Plastic 56 Pin ZIP

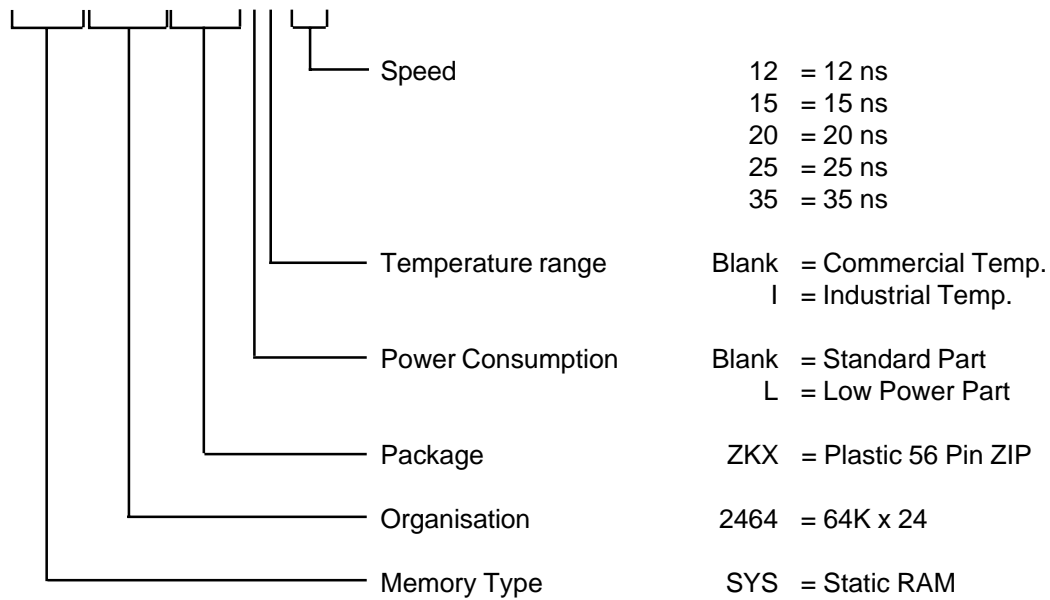
Package Information Dimensions in mm

Plastic 56 Pin Zig-zag-In-Line (ZIP)



Ordering Information

SYS2464ZKXLI-12



Note : This document may be wholly or partially subject to change without notice. HMP Ltd devices are not authorised for use as critical components in life support devices.