



## 2M x 32 FLASH MODULE

### PUMA 68FV64006/A - 90/12/15

Elm Road, West Chirton, NORTH SHIELDS, Tyne & Wear  
NE29 8SE, England Tel. +44 (0191) 2930500 Fax. +44 (0191) 2590997

Issue 2.0 : February 2000

#### Description

The PUMA 68FV64006 is a high density 64 MBit CMOS 3.3V ONLY FLASH memory module in a JEDEC 68 pin surface mount PLCC, with read access times of 90, 120 and 150ns. The plastic device is screened in to ensure high reliability.

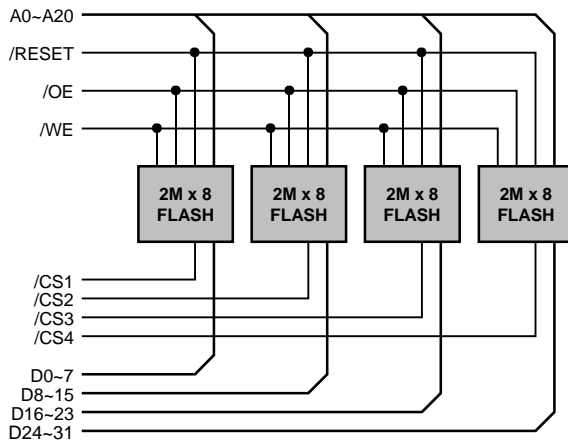
The device is capable of 10,000 Write/Erase cycles and has 10 year data retention.

#### Features

- 64 Megabit FLASH module.
- 3.3V  $\pm$  10% Supply Voltage
- Fast Access Times of 90/120/150 ns.
- Output Configurable as 32 / 16 / 8 bit wide.
- Industrial, Military Temperature Grade.
- Erase/Write Cycle Endurance 100,000 (Min.) - E variant.
- 10 year data retention.

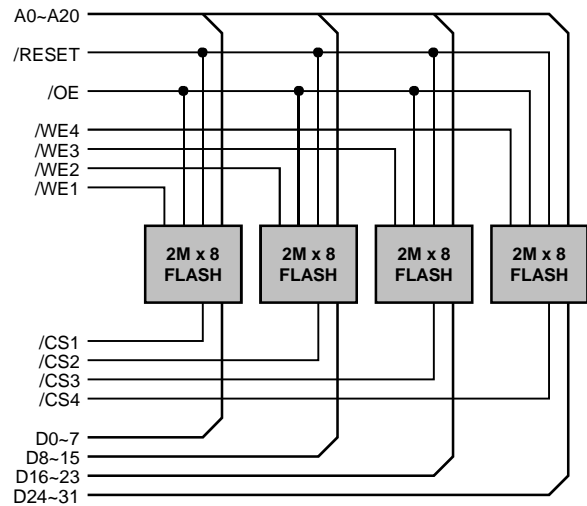
#### Block Diagram

PUMA 68FV64006



#### Block Diagram

PUMA 68FV64006A

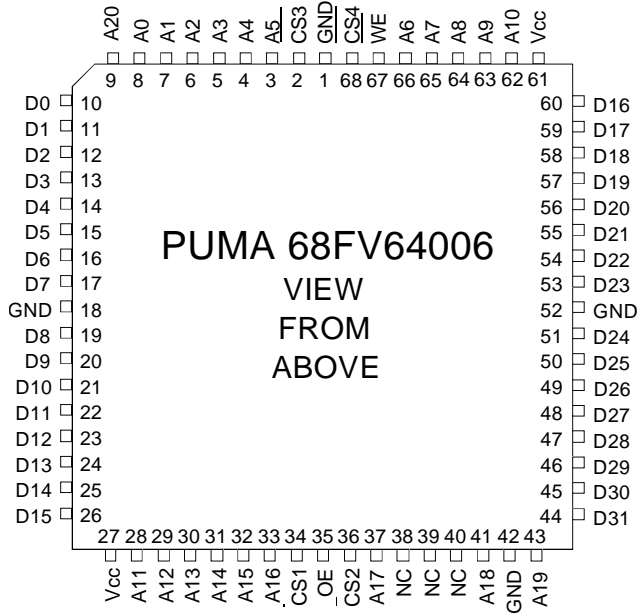


#### Pin Functions

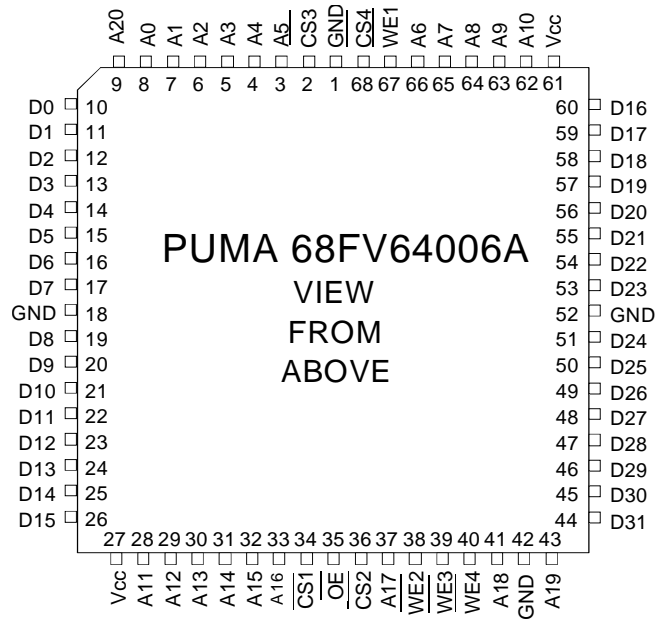
A0-A20	Address Input	/RESET	Not connected
D0-D31	Data Inputs/Outputs	/CS1~4	Chip Selects
/WE1~4	Write Enable	/OE	Output Enable
Vcc	Power (+5V)	GND	Ground

**Pin Definitions**

PUMA 68FV64006

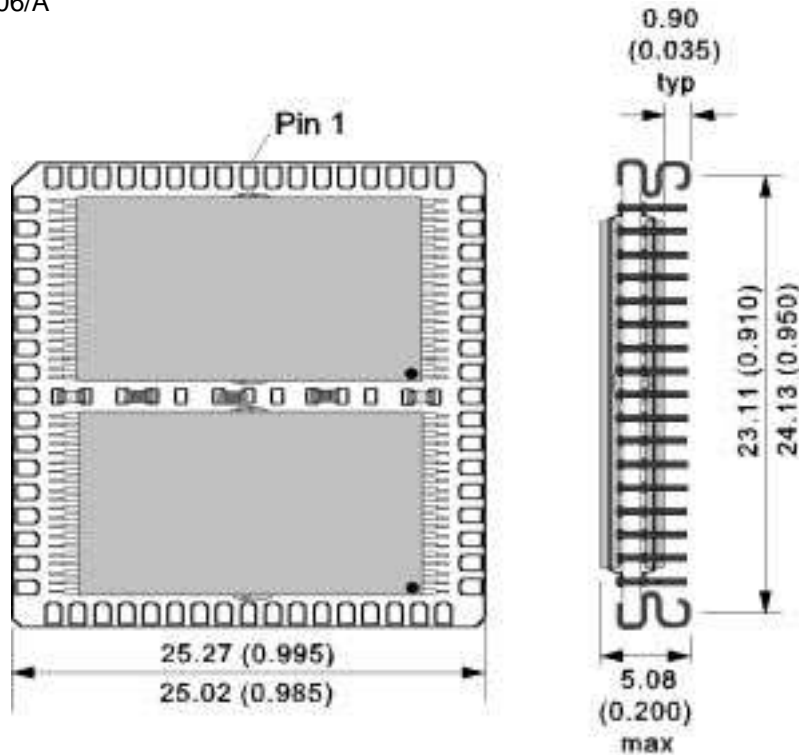


PUMA 68FV64006A



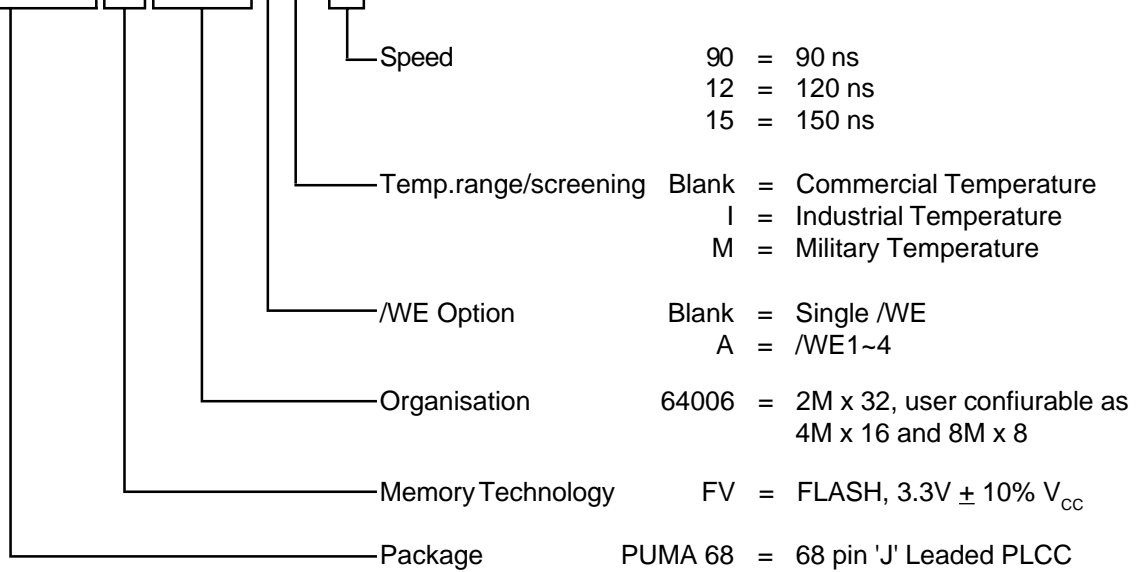
**Package Details**

PUMA 68FV64006/A



**Ordering Information**

**PUMA 68FV64006AM-90E**



**NOTE : E is designated to parts with extended Erase/Write Cycle Endurance (100,000 Min.). If not specified when ordered only a Erase/Write Cycle Endurance of 10,000 Minimum can be guaranteed.**

**Note :**

Although this data is believed to be accurate the information contained herein is not intended to and does not create any warranty of merchantability or fitness for a particular purpose. Our products are subject to a constant process of development. data may be changed at any time without notice. Products are not authorised for use as critical components in life support devices without the express written approval of a company director.