



VARISCITE LTD

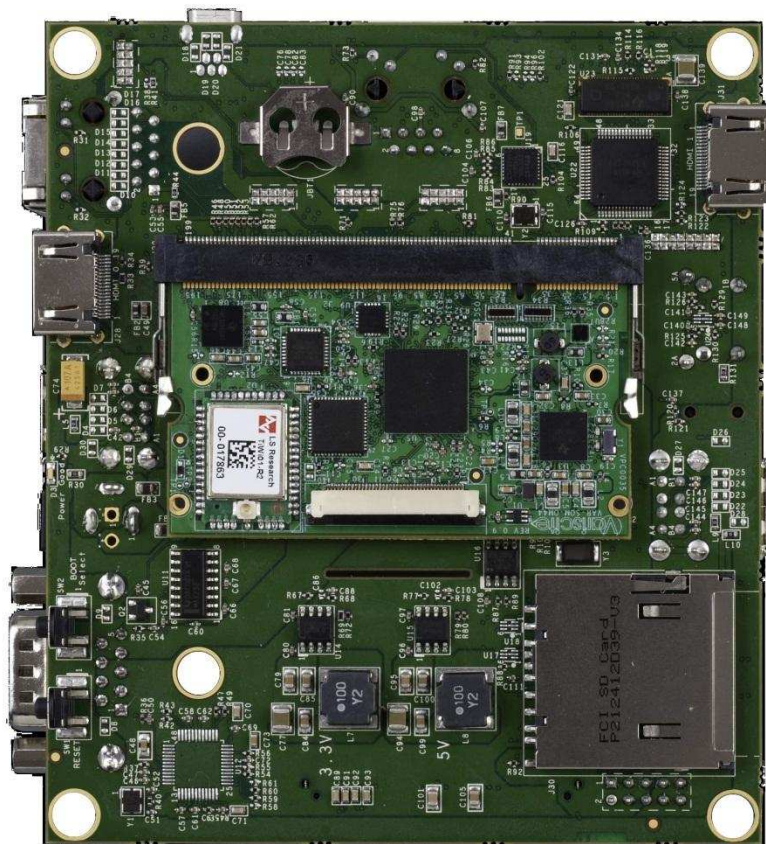
---

# VAR-OM44CustomBoard REV 1.1

## Datasheet

Carrier-board for VAR-SOM-OM44

V1.1



© 2012 Variscite Ltd.

All Rights Reserved. No part of this document may be photocopied, reproduced, stored in a retrieval system, or transmitted, in any form or by any means whether, electronic, Mechanical, or otherwise without the prior written permission of Variscite Ltd.

No warranty of accuracy is given concerning the contents of the information contained in this publication. To the extent permitted by law no liability (including liability to any person by reason of negligence) will be accepted by Variscite Ltd., its subsidiaries or employees for any direct or indirect loss or damage caused by omissions from or inaccuracies in this document.

Variscite Ltd. reserves the right to change details in this publication without notice. Product and company names herein may be the trademarks of their respective owners.

Variscite Ltd.

9, Hamelacha st.

Lod.

P.O.B 1121

Airport City, 70100

ISRAEL

Phone +972 (9) 9562910 • Fax +972 (9) 9589477

## Revision History

<b>Revision</b>	<b>Date</b>	<b>Notes</b>
0.1	27/07/2011	Preliminary
1.0	06/09/2011	Release
1.1	06/09/2012	Removing SATA interface Update J13 pin out Reference for VAR-EXT-CB401

# Table of Contents

Revision History.....	iii
Table of Contents .....	iv
List of Tables .....	6
1 Overview .....	7
1.1 General Information .....	7
1.1.1 SBC configuration.....	7
1.1.2 DVK configuration.....	7
1.1.3 Supporting Variscite products.....	7
1.1.4 Supporting O.S .....	7
1.1.5 Additional information .....	7
1.2 VAR-OM44CustomBoard features summary: .....	9
1.3 Block Diagram.....	10
1.4 Board Layout.....	11
1.5 VAR-OM44CustomBoard connectors .....	12
2 Detailed Description .....	14
2.1 Overview .....	14
2.2 VAR-SOM-OM44 Interfaces.....	14
2.2.1 SO-DIMM 200 (J31).....	14
2.2.2 40 pin SFF/FPC (J16).....	14
2.3 Standard External Interfaces.....	15
2.3.1 HOST USB (J5, J26) .....	15
2.3.2 USB OTG Connector Pin-out (J11) .....	15
2.3.3 SD Card (J32).....	16
2.3.4 Ethernet (J6, J17) .....	16
2.3.5 HDMI 0 (J2).....	17
2.3.6 AUDIO.....	18
2.3.7 RS232 -DTE (J1) .....	19
2.4 DVK External Interfaces.....	19

2.4.1	Parallel LCD (J24) .....	19
2.4.2	LVDS Interface Connector (J23) .....	21
2.4.3	LVDS signals (J23) .....	21
2.4.4	Touch Panel connectors (J7/J8) .....	21
2.4.5	RS232 - Debug (J25) .....	22
2.4.6	Camera (J12) .....	23
2.4.7	SD/MMC4 (J9) .....	24
2.4.8	MISC (J10) .....	24
2.4.9	McBSPx/SPI1 (J14) .....	25
2.4.10	SPI1/I2Cx (J21) .....	25
2.4.11	GPMC .....	26
2.4.12	JTAG (J19) .....	27
2.4.13	JTAG Connector Pin-out (J19) .....	27
2.4.14	Level Translator (J 13) .....	28
2.4.15	Level Translator Connector Pin-out (J 13) .....	28
2.5	User Interfaces .....	28
2.5.1	LED Indications .....	28
2.5.2	Control Buttons .....	29
2.5.3	Power Input (J2/J5) .....	29
3	Electrical Environmental Specifications .....	30
3.1	Absolute maximum electrical specifications .....	30
3.2	Operational electrical specifications .....	30
4	Environmental specifications .....	31
5	Legal notice .....	32
6	Warranty terms .....	33
7	Contact information .....	34

## List of Tables

Table 1-1 VAR-OM44CustomBoard connectors5 .....	13
Table 2-1 USB Host1/2 Connector Connector Pin-out (J5).....	15
Table 2-2 USB3/4 Host Connector Connector Pin-out (J26).....	15
Table 2-3 USB OTG connector Pin-out (j11) .....	16
Table 2-4 SD Card slot Connector Pin-out (J32) .....	16
Table 2-5 10/100/1000BaseT RJ45 Connector Pin-out (J6) .....	17
Table 2-6 10/100/100BaseT RJ45 Connector Pin-out (J17) .....	17
Table 2-7 HDMI Connector Pin-out (J2) .....	18
Table 2-8 Headphone Jack Connector Pin-out (J29).....	18
Table 2-9 Line In Jack Connector Pin-out (J28).....	18
Table 2-10 S/PDIF Jack Connector Pin-out (J27).....	19
Table 2-11 RS232 DTE Connector Pin-out (J1).....	19
Table 2-13 LCD connector Connector Pin-out (J24).....	20
Table 2-14 LVDS connector Connector Pin-out (J23).....	21
Table 2-15 Resistive touch panel Connector Pin-out (J8).....	22
Table 2-16 Capacitive touch panel Connector Pin-out (J7).....	22
Table 2-17 RS232 – Debug Connector Pin-out (J25) .....	22
Table 2-18 Camera Interface Connector Pin-out (J12) .....	23
Table 2-19 SD/MMC4 Connector Pin-out (J9) .....	24
Table 2-20 MISC Connector Pin-out (J10).....	25
Table 2-21 McBSP/SPI Connector Pin-out (J14) .....	25
Table 2-22 SPI1/I2Cx Connector Pin-out (J21).....	25
Table 2-23 GPMC 1 Connector Pin-out (J15).....	26
Table 2-24 GPMC 2 Connector Pin-out (J18).....	26
Table 2-25 GPMC 3 Connector Pin-out (J22).....	27
Table 2-26 JTAG Connector Pin-out (J19) .....	28
Table 2-27 Level Translator Connector Pin-out (J13) .....	28
Table 2-28 GP LED.....	29
Table 2-29 Terminal Block Connector Pin-out (J4) .....	29
Table 3-1 Absolute maximum electrical specifications.....	30
Table 3-2 Operational electrical specifications.....	30
Table 4-1 Environmental specifications .....	31

# 1 Overview

This chapter gives an overview of the VAR-OM44CustomBoard.

## 1.1 General Information

The VAR-OM44CustomBoard is a single board computer, utilizing all VAR-SOM-OM44 System-on-Modules features. For development and production, the VAR-OM44CustomBoard serves both as a complete development kit and as an end- product, assembled according to your specification for the most optimized price. The VAR-OM44CustomBoard is available in two main configurations:

- SBC
- DVK

### 1.1.1 SBC configuration

The SBC configuration forms a powerful, hand held size computing system with all standard peripherals interfaces as 4xUSB host ports, HDMI, Gigabit Ethernet, SD card and audio. All connectors are arranged in VAR-OM44CustomBoard rear/ front panel, easily fits to any required mechanics.

### 1.1.2 DVK configuration

The DVK configuration, assembled with large variety of debug & testing means as an OTG interface, 10/100BaseT Ethernet, Parallel LCD FFC/FPC connector, JTAG, serial interfaces and GPIO expansion connectors enables full VAR-SOM-OM44 testing ,evaluating ,and interfacing to custom hardware or a third part evaluation kit.

### 1.1.3 Supporting Variscite products

- VAR-SOM-OM44 System-On-Module
- [VAR-EXT-CB401](#) Dual CSI-2 Camera & digital microphone connectors

### 1.1.4 Supporting O.S

- Linux BSP
- Android

### 1.1.5 Additional information

Board schematics as well as mechanical CAD data base is available to download at [www.variscite.com](http://www.variscite.com) ,

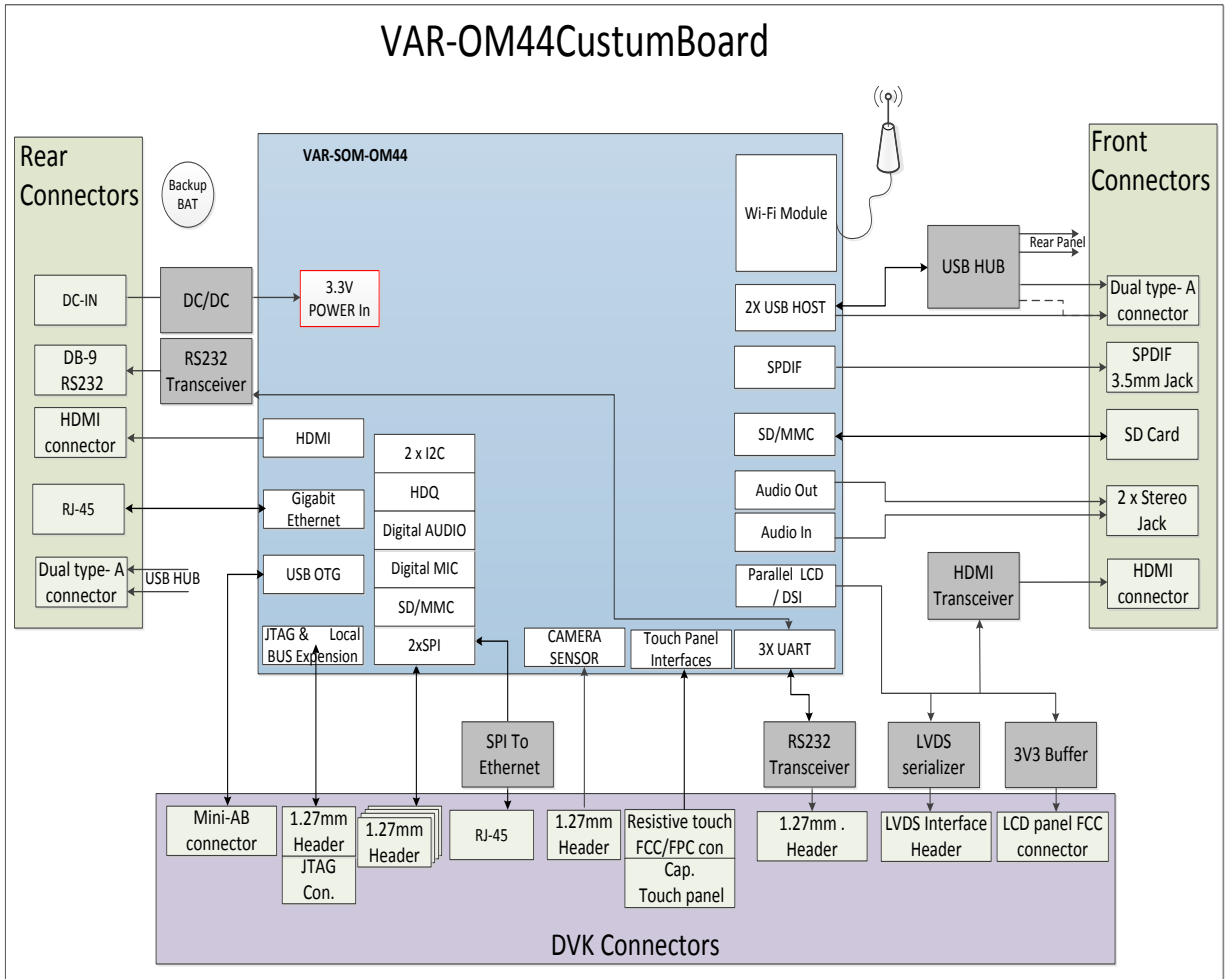
For further information contact Variscite support at <mailto:support@variscite.com>.



## 1.2 VAR-OM44CustomBoard features summary:

- SO-DIMM200 socket, compatible with VAR-SOM-OM44
- Dual Display
  - HDMI
  - LCD Parallel Interface connector compatible with U.R.T, 7" , TFT display module.
  - 24 bit LVDS transmitter ( TI's FlatLink™ compatible)
- Touch panel interface
  - Resistive (4 wire) – 4 pin FFC/FPC connector
  - Capacitive (I2C based) – 10 pin 1.27mm Header.
- Ethernet
  - 10/100/1000BaseT – RJ45
  - 10/100BaseT – RJ45
- USB
  - USB2.0 OTG ,Mini AB type
  - 4 x USB2.0 Host Type A
- AUDIO
  - 3.5mm Headphones jack.
  - 3.5mm Line in jack.
  - S/PDIF Out
- SD-Card slot
- 2 x UART ( RS232 levels)
  - DB-9 – Male (DTE)
  - IDC10 header
- JTAG
- Expansion connectors:
  - GPMC - Local Bus interface
  - SD/MMC interface
  - RAW image-sensor module interface
  - SPI
  - I2C
  - MSBSP/I2S
  - UART
  - Digital Microphone
  - GPIOs
  - 4 bit , general purpose, bidirectional 1.8V ↔ 3.3V level translation header
- Power
  - Power Terminal/ 2.5mm DC jack Options
  - 7.5V -14V DC Input.
  - RTC backup coin battery socket

### 1.3 Block Diagram





## 1.5 VAR-OM44CustomBoard connectors

The below Table listing the available connectors on the VAR- OM44CustomBoard , refer to chapter 2 for detailed description and pin out of each connector.

Reference	Function	Type
J1	UART1 (RS232)	D-Type -Male
J2	HDMI 0	HDMI
J3	Power In	2.5MM DC Jack * Assembly option with J4
J4	Power In	Terminal Block * Assembly option with J3
J5	USB Host , Ports 1/2	2 x USB TYPE A
J6	10/100/1000BaseT port	RJ-45
J7	Capacitive Touch Panel	Header , 2x5, 1.27mm
J8	Resistive Touch Panel	FFC/FPC ,4 wire ,1mm
J9	SD/MMC	Header , 2x5, 1.27mm
J10	MISC	Header , 2x5, 1.27mm
J11	USB OTG	USB Mini AB
J12	Camera Interface	Header , 2x20, 0.5mm
J13	General purpose , 4 x Bi directional 1.8V to 3.3V level shifter	Header , 2x5, 1.27mm
J14	McBSPx/SPI1	Header , 2x5, 1.27mm
J15	GPMC	Header , 2x5, 1.27mm
J16	VAR-SOM-OM44 GPMC & JTAG Connection	FFC/FPC , 40 pin
J17	10/100BaseT port	RJ-45
J18	GPMC	Header , 2x5, 1.27mm
J19	JTAG	Header , 2x7 ,2.54mm
J21	SPI/I2C	Header , 2x5, 1.27mm
J22	GPMC	Header , 2x5, 1.27mm
J23	24 Bit LVDS	Header , 2x7, 1.27mm
J24	24 bit , Parallel LCD	FFC/FPC , 40 pin
J25	UART3 (RS232)	Header , 2x5, 2.54mm
J26	USB Host , Ports 3/4	2 x USB TYPE A
J27	S/PDIF Out	Jack 3.5mm
J28	AUDIO In	Jack 3.5mm
J29	Headphone Jack	Jack 3.5mm
J31	VAR-Som-OM44 Socket	SODIMM , 200 pin 1.8V

Reference	Function	Type
J32	SD Slot	SD Card
JBT1	RTC battery holder	CR1225

Table 1-1 VAR-OM44CustomBoard connectors5

## 2 Detailed Description

### 2.1 Overview

This chapter details the VAR-OM44CustomBoard features and external interfaces, most are driven by the VAR-SOM-OM44. Please refer to the VAR-SOM-OM44 data sheet for more information regarding those interfaces.

The following list describes this chapter table's column header:

Pin#:

Pin Number of the specific connector

VAR-OM44CustomBoard Signal:

VAR-OM44CustomBoard schematic signal name

Type:

Pin Type & Direction:

- I – In
- O – Out
- DS – Differential Signal
- A – Analog
- P – Power Pin

Description:

Short Pin functionality description

### 2.2 VAR-SOM-OM44 Interfaces

#### 2.2.1 SO-DIMM 200 (J31)

The VAR-OM44CustomBoard features a SO-DIMM200, 1.8V standard connector compatible with the VAR-SOM-OM44 System On a Module devices. Please refer to the VAR-SOM-OM44 module data sheet for a complete signal description.

#### 2.2.2 40 pin SFF/FPC (J16)

The VAR-OM44CustomBoard features a 40 pin SFF/FPC connector in order to support VAR-SOM-OM44 GPMC/JTAG expansion connectivity. Please refer to the VAR-SOM-OM44 module data sheet for a complete signal description.

## 2.3 Standard External Interfaces

### 2.3.1 HOST USB (J5, J26)

The VAR-OM44CustomBoard supports four USB 2.0 Type A Host ports. The dual J5's USB host connector is driven by an on-board USB hub, while the dual J26 USB host connector is driven by both , an on-board HUB as well as by the VAR-SOM-OM44 USB HOST1 interface.

#### 2.3.1.1 USB Host 0/1 Connector Pin-out (J5)

Pin #	VAR-OM44CustomBoard Signal	Type	Description
A1	VCC_USB1	O	5V power supply. 500ma max
A2	USB_HUB_DN1	IO	USB Data Negative
A3	USB_HUB_DP1	IO	USB Data Positive
A4	GND	P	
B1	VCC_USB2	O	5V power supply. 500ma max
B2	USB_HUB_DN2	IO	USB Data Negative
B3	USB_HUB_DP2	IO	USB Data Positive
B4	GND		

Table 2-1 USB Host1/2 Connector Connector Pin-out (J5)

#### 2.3.1.2 USB Host 2, 3 Connector Pin-out (J26)

Pin #	VAR-OM44Custom Board Signal	Type	Description
A1	VCC_USB4	O	5V power supply. 500ma max
A2	USBH_DN1	IO	USB Data Negative (VAR-SOM-OM44)
A3	USBH_DP1	IO	USB Data Negative (VAR-SOM-OM44)
A4	GND	P	
B1	VCC_USB4	O	5V power supply. 500ma max
B2	USB_HUB_DN3	IO	USB Data Negative
B3	USB_HUB_DP3	IO	USB Data Positive
B4	GND		

2

### 2.3.2 USB OTG Connector Pin-out (J11)

The VAR-OM44CustomBoard OTG, min iAB type connector is driven by the VAR-SOM-OM44 OTG interface.

Pin #	VAR-OM44CustomBoard Signal	Type	Description
1	USB_OTG_VBUS	IO	5V in/out (Client/host)
2	USB_OTG_DN	IO	USB Data Negative

3	USB_OTG_DP	IO	USB Data Positive
4	USB_OTG_ID	I	USB OTG ID signal ('1' - Device mode)
5	GND	P	

Table 2-2 USB OTG connector Pin-out (j11)

### 2.3.3 SD Card (J32)

SD Card interface is based on the VAR-SOM-OM44 SD/MMC2 interface. In order to support 3.3V IO interface, a bidirectional buffer is used.

#### 2.3.3.1 SD card slot Connector Pin-out (J32)

Pin #	VAR-OM44CustomBoard Signal	Type	Description
1	MMC2_DAT3	IO	MMC Parallel Data, 3.3V
2	MMC2_CMD	IO	MMC command, 3.3V
3	GND	P	
4	VCC_SD	P	SD Card VCC 3.3v
5	MMC2_CKO	O	MMC Clock, 3.3V
6	GND	P	
7	MMC2_DAT0	IO	MMC Parallel Data, 3.3V
8	MMC2_DAT1	IO	MMC Parallel Data, 1.8V
9	MMC2_DAT2	IO	MMC Parallel Data, 1.8V
10	MMC2_CD	I	MMC Card Detect, 1.8V
11	GND	P	
12	SD_WP	I	MMC Write Protected , 1.8V

Table 2-3 SD Card slot Connector Pin-out (J32)

### 2.3.4 Ethernet (J6, J17)

The VAR-OM44CustomBoard features two Ethernet interfaces:

- 10/100/1000BaseT
- 10/100BaseT

Both are exposed by a standard RJ45 Ethernet jack with an integrated magnetics. The Giga Ethernet port is directly connected to VAR-SOM-OM44 on board gigabit Ethernet PHY while the fast Ethernet port is driven by on board ,SPI to fast Ethernet Bridge IC.

#### 2.3.4.1 10/100/1000BaseT Connector Pin-out (J6)

Pin #	VAR-OM44Custom Board Signal	Type	Description
1	VCC 3V3	P	
2	GETH_TR0P	DIO	Bi-directional pair Positive
3	GETH_TR0N	DIO	Bi-directional pair Negative

4	GETH_TR1P	DIO	Bi-directional pair Positive
5	GETH_TR1N	DIO	Bi-directional pair Negative
6	GETH_TR2P	DIO	Bi-directional pair Positive
7	GETH_TR2N	DIO	Bi-directional pair Negative
8	GETH_TR3P	DIO	Bi-directional pair Positive
9	GETH_TR3N	DIO	Bi-directional pair Negative
10	GND	P	
11	SPEED_A	A	LED Anode
12	SPEED_K	A	LED Cathode
13	LINK_A	A	LED Anode
14	LINK_K	A	LED Cathode

Table 2-4 10/100/1000BaseT RJ45 Connector Pin-out (J6)

### 2.3.4.2 10/100BaseT Connector Pin-out (J17)

Pin #	VAR-OM44Custom Board Signal	Type	Description
1	ETH_TXP	DO	Tx Pair- Positive
2	ETH_TXN	DO	Tx Pair- Negative
3	ETH_RXP	DI	Rx Pair- Positive
4	VCCA_3V3	AP	
5	VCCA_3V3	AP	
6	ETH_RXN	DI	Rx Pair- Negative
7	NC		
8	DGND	P	
9	SPEED1_A	A	Speed LED Anode
10	SPEED1_K	A	Speed LED Cathode
11	LINK1_K	A	Link LED Anode
12	LINK1_A	A	Link LED Cathode

Table 2-5 10/100/100BaseT RJ45 Connector Pin-out (J17)

### 2.3.5 HDMI 0 (J2)

The VAR-3xCustumBoard features a HDMI connector to interface an external monitor. HDMI 0 connector is driven by native VAR-SOM-OM44 HDMI signals

#### 2.3.5.1 HDMI Connector Pin-out (J2)

Pin #	VAR-OM44Custom Board Signal	Type	Description
1	DAT2+	DO	HDMI Data 2 positive
2	DAT2_S	P	GND
3	DAT2-	DO	HDMI Data 2 negative
4	DAT1+	DO	HDMI Data 1 positive

5	DAT1_S	P	GND
6	DAT1-	DO	HDMI Data 1 negative
7	DAT0+	DO	HDMI Data 0 positive
8	DAT0_S	P	GND
9	DAT0-	DO	HDMI Data 0 negative
10	CLK+	DO	HDMI Clock positive
11	CLK_S	P	GND
12	CLK 0-	DO	HDMI Clock negative
13	CEC	IO	
14	NC	NC	
15	SCL	IO	HDMI I2C Data
16	SDA	IO	HDMI I2C Clock
17	DDC/CEC GND	P	GND
18	+5V	P	5V Output

Table 2-6 HDMI Connector Pin-out (J2)

### 2.3.6 AUDIO

The VAR-OM44CustomBoard feature three 3.5mm jacks for audio interfaces, all are directly driven by VAR-SOM-OM44.

- Headphone Jack
- Line in
- S/PDIF out

#### 2.3.6.1 Headphone jack Connector Pin-out (J29)

Pin #	VAR-OM44Custom Board Signal	Type	Description
1	GND	AP	
2	AUD_OUT_L	AI	Pre-amped audio signal
3	AUD_OUT_R	AI	Pre-amped audio signal

Table 2-7 Headphone Jack Connector Pin-out (J29)

#### 2.3.6.2 Line In jack Connector Pin-out (J28)

Pin #	VAR-OM44Custom Board Signal	Type	Description
1	GND	AP	
2	AUD_IN_R	AI	Line in Right input
3	AUD_IN_L	AI	Line in Left input

Table 2-8 Line In Jack Connector Pin-out (J28)

### 2.3.6.3 S/PDIF Connector Pin-out (J27)

Pin #	VAR-OM44Custom Board Signal	Type	Description
1	GND	AP	
2	S/PDIF Signal	O	Digital S/PDIF signal
3	GND	AP	

Table 2-9 S/PDIF Jack Connector Pin-out (J27)

### 2.3.7 RS232 -DTE (J1)

The RS232 DTE interface is driven by VAR-SOM-OM44 UART1 interface and a RS232 transceiver. Together with an on-board standard, male D-Type9 connector, this serves as a DTE interface, for connecting a third party DCE (modem) device.

#### 2.3.7.1 RS232 -DTE Connector Pin-out (J1)

Pin #	VAR-OM44Custom Board Signal	Type	Description
1			
2	UART1_RX_C	I	UART#3/#1 Receive
3	UART1_TX_C	O	UART#3/#1 Transmit
4			
5	DGND	Power	
6			
7	UART1_RTS_C	O	UART#3/#1 RTS
8	UART1_CTS_C	I	UART#3 #1CTS
9			

Table 2-10 RS232 DTE Connector Pin-out (J1)

## 2.4 DVK External Interfaces

This section describes the additional available feature in VAR-SOM-OM44 DVK configuration.

### 2.4.1 Parallel LCD (J24)

A 24 bit LCD interface, driven by VAR-SOM-OM44 parallel LCD interface and exposed by a standard 40 pin FFC/FPC, 0.5mm pitch, connector. The Connector pin-out is compatible with U.R.T , 7" , TFT LCD module (UMSH-8272MD-1T). A 1.8V to 3.3V level translator is used in order to support the LCD module IO level specifications.

#### 2.4.1.1 Parallel LCD Connector Pin-out (JJ24)

Pin #	VAR-OM44Custom Board Signal	Type	Description

Pin #	VAR-OM44Custom Board Signal	Type	Description
1	VCC_5V	P	VLED ,5V
2	VCC_5V	P	VLED ,5V
3	BACKLIGHTEN_3V3	O	Backlight brightness control
4	DGND	P	GLED
5	DGND	P	GLED
6	VCC_3V3	P	VCC
7	VCC_3V3	P	VCC
8	MODE	O	MODE
9	DISPC2_DE_B	O	Data Enable
10	DISPC2_VSYNC_B	O	Vertical Sync
11	DISPC2_HSYNC_B	O	Horizontal Sync
12	DGND	P	
13	DISPC2_DATA7_B	O	Blue Bit 5
14	DISPC2_DATA6_B	O	Blue Bit 4
15	DISPC2_DATA5_B	O	Blue Bit 3
16	DGND	P	
17	DISPC2_DATA4_B	O	Blue Bit 2
18	DISPC2_DATA3_B	O	Blue Bit 1
19	DISPC2_DATA2_B	O	Blue Bit 0
20	DGND	P	
21	DISPC2_DATA15_B	O	Green Bit 5
22	DISPC2_DATA14_B	O	Green Bit 4
23	DISPC2_DATA13_B	O	Green Bit 3
24	DGND	P	
25	DISPC2_DATA12_B	O	Green Bit 2
26	DISPC2_DATA11_B	O	Green Bit 1
27	DISPC2_DATA10_B	O	Green Bit 0
28	DGND	P	
29	DISPC2_DATA23_B	O	Red Bit 5
30	DISPC2_DATA22_B	O	Red Bit 4
31	DISPC2_DATA21_B	O	Red Bit 3
32	DGND	P	
33	DISPC2_DATA20_B	O	Red Bit 2
34	DISPC2_DATA19_B	O	Red Bit 1
35	DISPC2_DATA18_B	O	Red Bit 0
36	DGND	P	
37	DISPC2_PCLK_B	O	Clock
38	DGND	P	
39	LR	O	Left /Right Select
40	DGND	O	Up/ Down Select

Table 2-11 LCD connector Connector Pin-out (J24)

### 2.4.2 LVDS Interface Connector (J23)

The VAR-OM44CustomBoard LVDS interface, compatible to a 24bit, four lane LVDS interface LCDs, is driven by an on-board TI SN75LVDS83B LVDS transmitter. LVDS data is sourced from VAR-SOM-OM44 parallel LCD interface.

The LVDS connector is a 1.27mm pitch 7x2 header.

### 2.4.3 LVDS signals (J23)

Pin #	Signal	Type	Description
1	RXIN0-	DO	LVDS Lane 0 , negative signal
2	RXIN2-	DO	LVDS Lane 2 , negative signal
3	RXIN0+	DO	LVDS Lane 0 , positive signal
4	RXIN2+	DO	LVDS Lane 2 , positive signal
5	DGND	P	
6	DGND	P	
7	RXIN1-	DO	LVDS Lane 1 , negative signal
8	CLKIN+	DO	LVDS Clock 0 , positive signal
9	RXIN1+	DO	LVDS Lane 1 , positive signal
10	CLKIN-	DO	LVDS clock , negative signal
11	VCC_5V	POWER	
12	DGND	POWER	
13	VCC_3V3	POWER	
14	RXIN3+	DO	LVDS Lane 3 , positive signal
15	BACKLIGHTEN_3V3	O	Backlight brightness control
16	RXIN3-	DO	LVDS Lane 3 , negative signal

Table 2-12 LVDS connector Connector Pin-out (J23)

### 2.4.4 Touch Panel connectors (J7/J8)

The VAR-OM44CustomBoard supports two touch panel interfaces:

- Resistive touch panels
- capacitive touch panels

The resistive touch panel connector, exposed by 4-wire FCC/FPC connector (Molex, 52207-0485), is driven by VAR-SOM-OM44 touch panel interface, capacitive touch panels, usually requires an I2C interface are supported by a 5x2 1.27mm Header, exposing VAR-SOM-OM44 I2C3 signals.

#### 2.4.4.1 Resistive Touch Panel Connector Pin-out (J8)

Pin #	VAR-OM44Custom Board Signal	Type	Description
1	TS_X-	AI	Touch Screen X Minus
2	TS_Y+	AI	Touch Screen Y Plus
3	TS_X+	AI	Touch Screen X Plus

4	TS_Y-	AI	Touch Screen Y Minus
---	-------	----	----------------------

Table 2-13 Resistive touch panel Connector Pin-out (J8)

#### 2.4.4.2 Capacitive Touch Panel Connector Pin-out (J7)

Pin #	VAR-OM44Custom Board Signal	Type	Description
1	VCC_3V3	P	
2	VCC_5V	P	
3	VIO	P	
4	CPT_INT	I	Capacitive touch panel interrupt
5	I2C3_SDA	IO	3.3V version of VAR-SOM-OM44 I2C3 interface.
6	NC		
7	I2C3_SCL	O	3.3V version of VAR-SOM-OM44 I2C3 interface.
8	NC		
9	DGND	P	
10	VCC_3V3	P	

Table 2-14 Capacitive touch panel Connector Pin-out (J7)

#### 2.4.5 RS232 - Debug (J25)

RS232 Debug port is driven by VAR-SOM-OM44 UART3 interface and a RS232 transceiver. Exposed by 10pin IDC header, this port can be connected to a DTE device (i.e. PC) using a standard cable. Note that this port is usually serves as low level software debug port.

##### 2.4.5.1 RS232 -Debug Connector Pin-out (J25)

Pin #	VAR-OM44Custom Board Signal	Type	Description
1	NC		
2	UART3_RX_C	I	UART#3 Receive
3	UART3_TX_C	O	UART#3 Transmit
4	NC		
5	GND	Power	
6	NC		
7	UART3_RTS_C	O	UART#3 RTS
8	UART3_CTS_C	I	UART#3 CTS
9	NC		
10	NC		

Table 2-15 RS232 – Debug Connector Pin-out (J25)

## 2.4.6 Camera (J12)

The VAR-OM44CustomBoard supports two CSI (Camera Serial interface channels) and one , 8 bit CPI (Camera parallel Interface) ,both are directly driven by VAR-SOM-OM44 .The camera expansion connectors is a Hirose Electric 0.5mm Header , DF17(3.0)-040DS-0.5V(57), suggest mating connectors is Hirose Electric , DF17(2.0)-040DP-0.5V(57).

### 2.4.6.1 Camera Connector Pin-out (J12)

Pin #	VAR-OM44Custom Board Signal	Parallel Camera Signal	VAR-SOM-OM44 PIN
1	VIO		
2	VCC_3V3		
3	CSI22_DX0	CAM2_D3	141
4	CSI21_DX0		50
5	CSI22_DY0	CAM2_D2	143
6	CSI21_DY0		52
7	CSI22_DX1	CAM2_D1	135
8	CSI21_DX1		130
9	CSI22_DY1		137
10	CSI21_DY1		132
11	DGND		
12	DGND		
13	CSI22_DY2	CAM2_WEN	136
14	CSI21_DX2		56
15	CSI22_DX2	CAM2_FLD	138
16	CSI21_DY2		54
17	CSI21_DX3		53
18	CSI21_DX4	CAM2_D5	129
19	CSI21_DY3	CAM2_D6	55
20	CSI21_DY4		131
21	DGND		
22	DGND		
23	CAM_SHUTTER	CAM2_HS	72
24	BACKLIGHTEN	CAM2_D9	76
25	CAM_GLB_RESET	CAM2_PCLK	59
26	HUB_REST	CAM2_D7	78
27	KPD_ROW3_CAM4_D2_GPIO_175	CAM2_D4	85
28	CAM_STROBE	CAM2_VS	80
29	KPD_ROW2_CAM2_D1_1_GPIO_3		87
30	VCC_5V		

Table 2-16 Camera Interface Connector Pin-out (J12)

## 2.4.7 SD/MMC4 (J9)

SD/MMC4 expansion connector pins are directly connected to the VAR-SOM-OM44 pins. Note that those signals are shared with on board Wi-Fi module and can't be used if the Wi-Fi module is enabled.

### 2.4.7.1 SD/MMC4 Connector Pin-out (J9)

Pin #	VAR-OM44Custom Board Signal	VAR-SOM-OM44 PIN
1	SDMMC4_CLK	164
2	VCC_3V3	
3	SDMMC4_CMD	166
4	VIO	
5	SDMMC4_DAT0	168
6	SDMMC4_DAT3	170
7	SDMMC4_DAT1	174
8	MMC4_GPIO	194
9	SDMMC4_DAT2	172
10	DGND	164

Table 2-17 SD/MMC4 Connector Pin-out (J9)

## 2.4.8 MISC (J10)

Miscellanies expansion connector exposes few VAR-SOM-OM44 interfaces:

- HDQ (one Wire)
- Digital Microphone
- UART2
- PWM (Backlight Enable)

All are directly connected to VAR-SOM-OM44 pins, refer to VAR-SOM-OM44 data sheet for more details.

### 2.4.8.1 MISC Connector Pin-out (J10)

Pin #	VAR-OM44Custom Board Signal	VAR-SOM-OM44 PIN
1	BACKLIGHTEN	158
2	HDQ_GPIO127	82
3	FREF_CLK1_OUT	49
4	DMIC_CLK	186
5	DMIC_DAT	188
6	UART2_TX	69
7	UART2_CTS	65
8	UART2_RTS	67
9	UART2_RX	71

10	DGND	1
----	------	---

Table 2-18 MISC Connector Pin-out (J10)

### 2.4.9 McBSPx/SPI1 (J14)

McBSPx/SPI1 expansion connector pins are directly connected to the VAR-SOM-OM44 pins. Refer to VAR-SOM-OM44 data sheet for more details.

#### 2.4.9.1 McBSPx/SPI1 Connector Pin-out (J14)

Pin #	VAR-OM44Custom Board Signal	VAR-SOM-OM44 PIN
1	VCC_3V3	
2	MCBSP1_CLKX	27
3	MCBSP2_CLK	98
4	MCBSP1_DR	176
5	MCBSP2_DR	102
6	MCBSP1_DX	95
7	MCBSP2_DX	104
8	MCBSP1_FSX	93
9	MCBSP2_FSX	106
10	DGND	1

Table 2-19 McBSP/SPI Connector Pin-out (J14)

### 2.4.10 SPI1/I2Cx (J21)

SPI1/I2Cx expansion connector pins are directly connected to the VAR-SOM-OM44 pins, refer to VAR-SOM-OM44 data sheet for more details.

#### 2.4.10.1 SPI1/I2Cx Connector Pin-out (J21)

Pin #	VAR-OM44Custom Board Signal	VAR-SOM-OM44 PIN
1	VIO	117
2	MCSP11_SCLK	37
3	MCSP11_CS0	34
4	MCSP11_SIMO	39
5	I2C3_SCL	63
6	MCSP11_SOMI	41
7	I2C4_SDA	99
8	I2C3_SDA	61
9	I2C4_SCL	101
10	DGND	1

Table 2-20 SPI1/I2Cx Connector Pin-out (J21)

## 2.4.11 GPMC

GPMC expansion connectors pins are directly connected to the VAR-SOM-OM44 pins, refer to VAR-SOM-OM44 data sheet for more details. In order to use those expansions a 40 pin flat cable should be used to connect between VAR-SOM-OM44 expansion connector and J16 on VAR-OM44CustomBoard.

### 2.4.11.1 GPMC 1 Connector Pin-out (J15)

Pin #	VAR-OM44Custom Board Signal	VAR-SOM-OM44 Expansion Connector PIN
1	VIO	117
2	VCC_3V3	
3	GPMC_NADV_ALE	37
4	GPMC_NCS1	35
5	GPMC_NOE_SDMMC2_CLK	38
6	GPMC_NCS0	34
7	GPMC_NWESDMMC2_CM D	39
8	GPMC_A22	33
9	GPMC_NBE0_CLE	40
10	GPMC_A21	32

Table 2-21 GPMC 1 Connector Pin-out (J15)

### 2.4.11.2 GPMC 2 pin-out (J18)

Pin #	VAR-OM44Custom Board Signal	VAR-SOM-OM44 Expansion Connector PIN
1	DGND	1
2	GPMC_CLK	25
3	GPMC_AD13	27
4	GPMC_AD11	23
5	GPMC_AD14	28
6	GPMC_AD10	22
7	GPMC_AD15	29
8	GPMC_AD9	21
9	GPMC_A20	31
10	GPMC_AD8	20

Table 2-22 GPMC 2 Connector Pin-out (J18)

## 2.4.11.3 GPMC 3 Connector Pin-out (J22)

Pin #	VAR-OM44Custom Board Signal	VAR-SOM-OM44 Expansion Connector PIN
1	DGND	1
2	GPMC_AD12	26
3	GPMC_AD4	15
4	GPMC_AD3	14
5	GPMC_AD5	16
6	GPMC_AD0	11
7	GPMC_AD6	18
8	GPMC_AD1	12
9	GPMC_AD7	19
10	GPMC_AD2	13

Table 2-23 GPMC 3 Connector Pin-out (J22)

## 2.4.12 JTAG (J19)

JTAG expansion connectors pins are directly connected to the VAR-SOM-OM44 pins, the connector is compatible to a standard 2x7 , 2.54mm JTAG cables . In order to use this expansion a 40 pin flat cable should be used to connect between VAR-SOM-OM44 expansion connector and J16 on VAR-OM44CustomBoard.

## 2.4.13 JTAG Connector Pin-out (J19)

Pin #	VAR-OM44Custom Board Signal	VAR-SOM-OM44 Expansion Connector PIN
1	JTAG_TMS	2
2	JTAG_NTRST	3
3	JTAG_TDI	1
4	DGND	9
5	VIO	10
6	NC	
7	JTAG_TDO	4
8	DGND	9
9	JTAG_RTCK	5
10	DGND	9
11	JTAG_TCK	8
12	DGND	9
13	JTAG_EMU0	6
14	JTAG_EMU1	7
15	JTAG_TMS	2

16	JTAG_NTRST	3
17	JTAG_TDI	1
18	DGND	9

Table 2-24 JTAG Connector Pin-out (J19)

#### 2.4.14 Level Translator (J 13)

Level Translation expansion connector is a standalone utility. Featuring Ti's TXB0104, it enables 1.8V level IOs (used by the VAR-SOM-OM44 IO) shifting to a 3.3V levels IO commonly used. The device is a 60Mbps bidirectional level shifter , for more information refer to the TXB0104 data sheet.

<http://focus.ti.com/general/docs/lit/getliterature.tsp?genericPartNumber=txb0104&fileType=pdf>

#### 2.4.15 Level Translator Connector Pin-out (J13)

Pin #	VAR-OM44Custom Board Signal	Description
1	GP1_3V3	3V3 level in/Out #1
2	GP1_1V8	1V8 level in/Out #1
3	GP2_3V3	3V3 level in/Out #2
4	GP2_1V8	1V8 level in/Out #2
5	GP4_3V3	3V3 level in/Out #3
6	GP4_1V8	1V8 level in/Out #3
7	GP3_3V3	3V3 level in/Out #4
8	GP3_1V8	1V8 level in/Out #4
9	VCC_3V3	POWERF
10	GND	GND

Table 2-25 Level Translator Connector Pin-out (J13)

## 2.5 User Interfaces

### 2.5.1 LED Indications

#### 2.5.1.1 Power On LED (D5)

D5 is indicating that 5V power rail of the VAR-SOM-OM44 is on.

#### 2.5.1.2 GP LED (D3, D4)

General purpose functionality LED, controlled by VAR-SOM-OM44 pins , using a 1.8V to 3.3V level shifter.

The VAR-OM44CustomBoard OTG connector is driven by the VAR-SOM-OM44 OTG interface.

LED Reference	VAR-OM44CustomBoard Signal	VAR-SOM-OM44 PIN
3	LED_0_3V3	180

4	LED_1_3V3	182
---	-----------	-----

Table 2-26 GP LED

## 2.5.2 Control Buttons

### 2.5.2.1 Reset Button (SW1)

System hardware-reset

### 2.5.2.2 Boot Select (SW2)

Boot select switch sets the VAR-SOM-OM44 boot source & sequence. If VAR-SOM-OM44 external boot is required, it should be pressed during

Position	Logic Level	Boot Source	Boot Device Order
Released	'0'	Internal	MMC1 (micro SD Card), UART
Pressed	'1'	External	MMC2,UART

2-29 Boot select Switch modes

## 2.5.3 Power Input (J2/J5)

The VAR-OM44CustomBoard is powered using a, 7V-14V DC power supply, using one of the below connectors (Assembly option)

### 2.5.3.1 DC-IN Jack (J3)

Dc-In power jack is compatible with standard 2.5mm/5.5mm power plug.

Jack Part number:

KOBI CON, 163-0180-EX

### 2.5.3.2 Terminal Block (J4)

Pin #	Signal
1	GND
2	VCC IN

Table 2-27 Terminal Block Connector Pin-out (J4)

### 2.5.3.3 RTC Backup battery (JB1)

The VAR-OM44 features CR1225 battery holder powering VAR-SOM-OM44 RTC backup supply rail

## 3 Electrical Environmental Specifications

### 3.1 Absolute maximum electrical specifications

	<b>Min</b>	<b>Max</b>
Main Power supply, DC-IN	-0.3V	25V
External Interfaces	Unless other specified, refer to VAR-SOMOM44 data sheet.	

Table 3-1 Absolute maximum electrical specifications

### 3.2 Operational electrical specifications

	<b>Min</b>	<b>Max</b>
Main Power supply, DC-IN	7V	14V
External Interfaces	Unless other specified, refer to VAR-SOMOM44 data sheet.	

Table 3-2 Operational electrical specifications

## 4 Environmental specifications

	Min	Max
Commercial operating temperature range	0°C	+70°C
MTBF	10000hrs >	
Shock resistance	50G / 20 ms	
Relative humidity, Operational	10%	90%
Relative humidity, Storage	5%	95%
Vibration	20G / 0 - 600 Hz	

Table 4-1 Environmental specifications

## 5 Legal notice

Variscite LTD (“Variscite”) products and services are sold subject to Variscite’s terms and conditions of sale, delivery and payment supplied at the time of order acknowledgement.

Variscite warrants performance of its products to the specifications in effect at the date of shipment. Variscite reserves the right to make changes to its products and specifications or to discontinue any product or service without notice. Customers should therefore obtain the latest version of relevant information from Variscite to verify that the information is current.

Testing and other quality control techniques are utilized to the extent Variscite deems necessary to support its warranty.

Specific testing of all parameters of each device is not necessarily performed unless required by law or regulation.

In order to minimize risks associated with customer applications, the customer must use adequate design and operating safeguards to minimize inherent or procedural hazards. Variscite is not liable for applications assistance or customer product design. The customer is solely responsible for its selection and use of Variscite products. Variscite is not liable for such selection or use nor for use of any circuitry other than circuitry entirely embodied in a Variscite product.

Variscite products are not intended for use in life support systems, appliances, nuclear systems or systems where malfunction can reasonably be expected to result in personal injury, death or severe property or environmental damage. Any use of products by the customer for such purposes is at the customer’s own risk.

Variscite does not grant any license (express or implied) under any patent right, copyright, mask work right or other intellectual property right of Variscite covering or relating to any combination, machine, or process in which its products or services might be or are used. Any provision or publication of any third party’s products or services does not constitute Variscite’s approval, license, warranty or endorsement thereof. Any third party trademarks contained in this document belong to the respective third party owner.

Reproduction of information from Variscite datasheets is permissible only if reproduction is without alteration and is accompanied by all associated copyright, proprietary and other notices (including this notice) and conditions. Variscite is not liable for any un-authorized alteration of such information or for any reliance placed thereon.

Any representations made, warranties given, and/or liabilities accepted by any person which differ from those contained in this datasheet or in Variscite’s standard terms and conditions of sale, delivery and payment are made, given and/or accepted at that person’s own risk. Variscite is not liable for any such representations, warranties or liabilities or for any reliance placed thereon by any person.

## 6 Warranty terms

Variscite guarantees hardware products against defects in workmanship and material for a period of one (1) year from the date of shipment. Your sole remedy and Variscite's sole liability shall be for Variscite, at its sole discretion, to either repair or replace the defective hardware product at no charge or to refund the purchase price. Shipment costs in both directions are the responsibility of the customer. This warranty is void if the hardware product has been altered or damaged by accident, misuse or abuse.

### Disclaimer of Warranty

THIS WARRANTY IS MADE IN LIEU OF ANY OTHER WARRANTY, WHETHER EXPRESSED, OR IMPLIED, OF MERCHANTABILITY, FITNESS FOR A SPECIFIC PURPOSE, NON-INFRINGEMENT OR THEIR EQUIVALENTS UNDER THE LAWS OF ANY JURISDICTION, EXCEPT THE WARRANTY EXPRESSLY STATED HEREIN. THE REMEDIES SET FORTH HEREIN SHALL BE THE SOLE AND EXCLUSIVE REMEDIES OF ANY PURCHASER WITH RESPECT TO ANY DEFECTIVE PRODUCT.

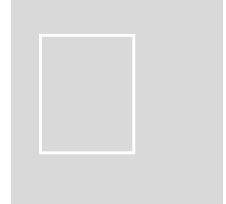
### Limitation on Liability

UNDER NO CIRCUMSTANCES SHALL VARISCITE BE LIABLE FOR ANY LOSS, DAMAGE OR EXPENSE SUFFERED OR INCURRED WITH RESPECT TO ANY DEFECTIVE PRODUCT. IN NO EVENT SHALL VARISCITE BE LIABLE FOR ANY INCIDENTAL OR CONSEQUENTIAL DAMAGES THAT YOU MAY SUFFER DIRECTLY OR INDIRECTLY FROM USE OF ANY PRODUCT.

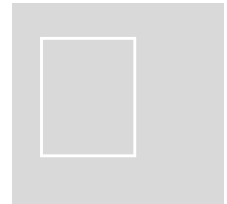
## 7 Contact information

### Headquarters

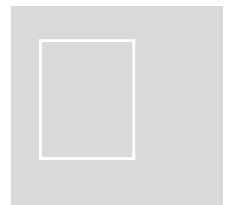
Variscite LTD  
9, Hamelacha st.  
Lod.  
P.O.B 1121  
Airport City, 70100  
ISRAEL  
Phone +972 (9) 9562910 • Fax +972 (9) 9589477



Tel: +972 (9) 9562910  
Fax: +972 (9) 9589477



Sales: [sales@variscite.com](mailto:sales@variscite.com)  
Technical support: [support@variscite.com](mailto:support@variscite.com)



Website: [www.variscite.com](http://www.variscite.com)

