



16-bit High Performances Flash Smart Card IC

Environment

- Voltage Supply Class A, B, C: 1.8V, 3V, 5.0V ± 10%
- 25 to +85 °C Operating Temperature
- Max supply current 10mA @ 20MHz, Class A
- Max supply current 6mA @ 20MHz, Class B
- Max supply current 4mA @ 20MHz, Class C
- ISO7816-3 pads > 4 kV ESD Protection HBM

CPU

- Software compatible Intel 80251 (MCS251)
- Accelerated 16 bit CPU Architecture
- Up to 20 MHz internal CPU clock

Idle Modes

- Idle and Stop mode selectable modes
- NVM update operation with CPU in idle mode
- IO Transmission and Reception with CPU in idle mode
- Max Idle current / Clock stopped: 100 uA

Security

- Hardware Random Number Generator
- Hardware DES/TDES module
- Unique chip identification number
- Notification of tampering
- IC operates under regulated voltage and internal clock
- Under / Over voltage sensors (Vcc)

Memory Control

- General Purpose Non Volatile Memory: GPNVM
- Memory Management Protection Mechanism
- Memory management HW logical to physical (LOG2PHY)
- Ultra Fast Byte program time
- Fast GPNVM Page Erase time

ISO 7816-3 interface

- ISO 7816-3 compliant electrical interface
- ISO 7816-3 compliant T=0 and T=1 protocols
- ETU Timer/Counter

Memories

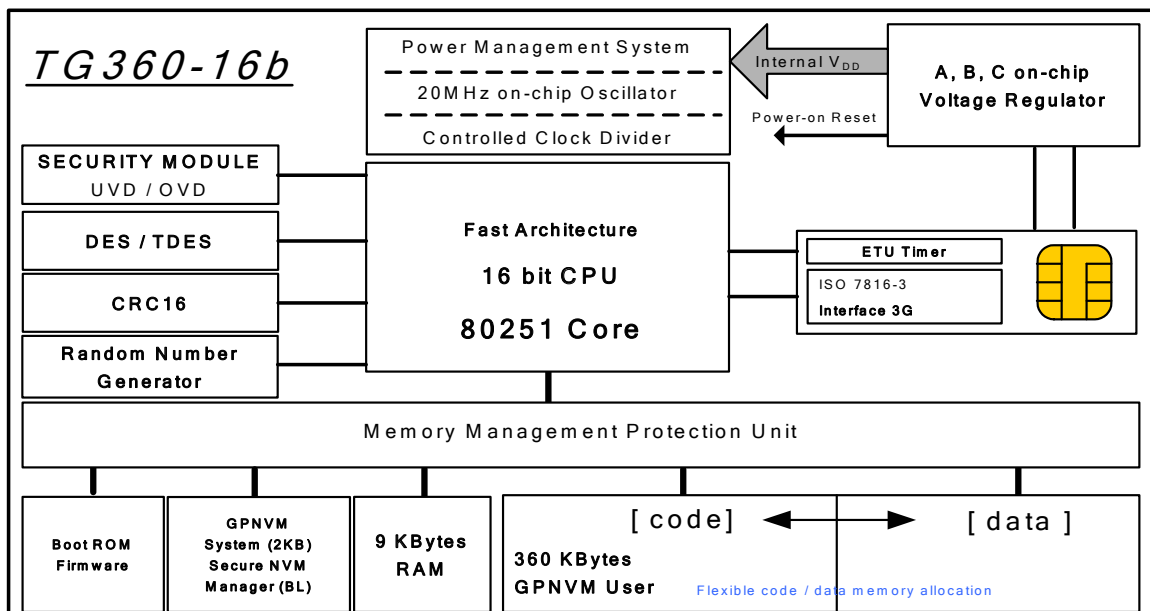
- 9KB RAM
- 360 KB User GPNVM256 = 256B/page
- 2KB System GPNVM= 16 Pages of 256 B
- GPNVM data retention: 10 years
- GPNVM Endurance E/W > 100 Kcycles
- Secure Boot loader T=0 compatible

Chip Forms

- 8" Wafer sawn or unsawn
- Back grinding and distressing options
- Modules

Typical Application:

- USIM/UICC cards 128KB
- JavaCard based platform





Introduction

TG360-16B is a member of the Theseus family of devices designed specifically for smart card applications and Java Card technology. It is software compatible with the industry standard MCS251 micro-controller. Computing performances are powering JavaCard based applications with large provision of memory resources seen thru linear Von Neumann space up to 24MB.

Security of the family of devices makes them particularly suitable in electronic commerce and sensitive data areas. This is accomplished in hardware, with not only protection against out of parameter operation of the device, but hardware memory management to protect against software security attacks. The CPU clock is derived from its own internal oscillator, so preventing attacks by clock manipulation, or extrapolating program execution by monitoring current variations on clock edges.

The need to support the emerging multifunction cards requires that the device under software control can download an application and run it when the device is in the field embedded in a plastic card. This application can be in the form of a script to be executed by an interpreter or as a raw binary directly executed by the processor. The device has to be protected against the downloading of attack software designed to corrupt or uncover the working or data contained in the device. Traditionally this has been a software function, which relies on the total integrity of the embedded software. The TG360-16B implements the first level of protection in hardware.

A dynamic memory protection mechanism is relying on a flexible border between code and data space.

The General Purpose Non Volatile Memory concept allows reaching ultra low cost implementation of traditional 128KB EEPROM smart card ICs and more. All your efforts to save code footprint are optimizing your end product performances.

Serial interface

TG360-16B offers a unique serial interface compliant with the ISO 7816-3 specification with several modes implemented allowing serial connections at 9600 up to 357K bits per second at 3.57MHz. TG360-16B supports T=0 asynchronous half duplex character transmission protocol, T=1 asynchronous half duplex block transmission and a proprietary T=14 protocol used for fast loading of Code into the OTP by the card manufacturer. It handles minimum guard time requirements between characters specified by ISO7816-3 specification automatically. TG360-16B is designed to be compatible with the ISO7816-3 specification defining the characteristics of Integrated Circuit Cards commonly referred to as smart cards.

Random Number Generator

The on chip random number generator is passing test based on Fips140-2 criteria, providing a rapid stream of truly random numbers. This allows use of the random numbers generated beyond just the provision of numbers for randomising transmissions or generating keys.

DES/TDES/3KDES and CRC16 Hardware modules

Hardware acceleration of DES / Triple DES and 3 Keys DES encryption decryption algorithms provide an efficient way to protect application data and code. It supports ECB and CBC modes. In addition, CRC16 hardware module allows the verification of data integrity.

Clocks

TG360-16B has its own internal oscillator this allows the core of the device to be independent of the external clock. The processor can also be clocked much faster than the IO CLK signal. This ensures the elimination of fraudulent attacks involving frequency jitter and unequal mark space ratios. The internal clock generator is connected to the core via a divider that is under the control of the software. This allows the Operating System writer to control the trade off between execution speed and power drawn by the device. Extending battery life in hand help applications where slow interfaces are involved.

Anti tampering

The TG360-16b has extensive anti tampering provision including the monitoring of the connection to the device to ensure that deviations beyond a prescribed criteria result in the device being closed down before its operating conditions are violated.

On chip voltage regulators

Several on chip regulators isolate the various elements of the device from variations and fluctuations in the supply voltage. This allows elements to be characterised precisely, as they operate at one fixed voltage, which in turn maximises the endurance of the device.

Technology

This product is using superior Flash memory SuperFlash Technology licensed from SST and SuperFlash is a registered trademark of SST (Silicon Storage Technology Inc.).



Technical Data

Absolute Maximum Ratings

Parameter	Symbol	Limit Values			Unit
		min	typical	max	
Supply Operating Volt	V _{cc}	-0.3		6	V
Voltage at remaining pin	V _{pin}	V _{ss} -0.3		V _{cc} +0.3	V
Power dissipation	P _{tot}			+60	mW
Storage temperature	I _{ccl}	-40		+125	°C

DC Characteristics

Parameter	Symbol	Limit Values			Unit
		min	typical	max	
Operating temperature	T _A	-25		+85	°C
Supply Voltage Class A, B, C	V _{cc}	1.62		5.5	V
Supply Current Class B	I _{cc}			6 (Note 1)	mA
Supply Current Class C	I _{cc}			4 (Note 1)	mA
Supply Current idle	I _{ccl}			200 (Note 2)	µA
Supply Current stopped	I _{ccS}			100 (Note 3)	µA

Note 1: The supply current refers to external clock frequency of 5 Mhz

Note 2: The supply current at 3.3V and a clock frequency of 1 Mhz, at +25 °C

Note 3: The supply current at 3.3V and +25 °C

IO pin:

Parameter	Symbol	Conditions	min	max	Unit
H input voltage	V _{IH}	I _{IHmax} = ±20µA	0.7 * V _{cc}	V _{cc}	V
L input voltage	V _{IL}	I _{IL max} = ±20µA	-0.3	0.8	V
H output voltage (Note 1)	V _{OH}	I _{OHmax} = +20µA	0.7 * V _{cc}	V _{cc}	V
L output voltage	V _{OL}	I _{OLmax} = -1mA	0	0.4	V
Rise Fall Time	t _r , t _F	C _{IN} = C _{OUT} = 30 pF		1	µS

NOTE 1: Assumes 20KΩ Pull up resistor on interface device

Clock (CLK)

Parameter	Symbol	Condition	Min	Max	Unit
H output voltage	V _{OH}	I _{OHmax} = +20 µA	V _{cc} -0.7	V _{cc}	V
L output voltage	V _{OL}	I _{OLmax} = -20µA	0	0.5	V
Rise Fall Time	t _r , t _F	C _{IN} = C _{OUT} = 30 pF		9% CLK period	

Reset(RST)

Parameter	Symbol	Condition	Min	Max	Unit
H output voltage	V _{OH}	I _{OHmax} = +20 µA	V _{cc} -0.7	V _{cc}	V
L output voltage	V _{OL}	I _{OLmax} = -20µA	0	0.6	V
Rise Fall Time	t _r , t _F	C _{IN} = C _{OUT} = 30 pF		400	µs

EM Microelectronic-Marin SA (EM) makes no warranty for the use of its products, other than those expressly contained in the Company's standard warranty which is detailed in EM's General Terms of Sale located on the Company's web site. EM assumes no responsibility for any errors which may appear in this document, reserves the right to change devices or specifications detailed herein at any time without notice, and does not make any commitment to update the information contained herein. No licenses to patents or other intellectual property of EM are granted in connection with the sale of EM products, expressly or by implications. EM's products are not authorized for use as components in life support devices or systems