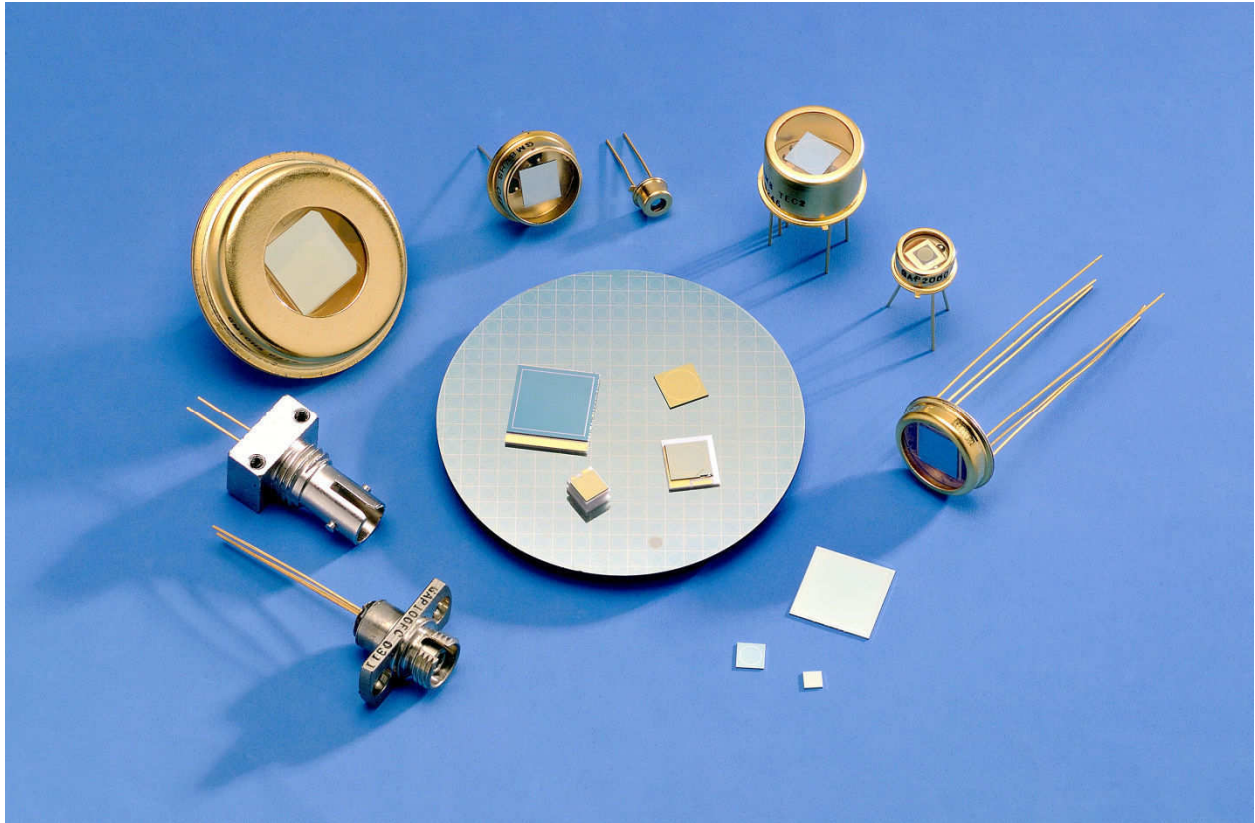


Product Specification

IAV352



GPD Optoelectronics Corp.

7 Manor Parkway

Salem, NH 03079

Tel: +1 603 894 6865 Fax: +1 603 894 6866

www.gpd-ir.com sales@gpd-ir.com

**GPD OPTOELECTRONICS CORP
PRODUCT SPECIFICATIONS SHEET**

CUSTOMER: ANY	NO. IAV352
CITY:	TYPE: APD PHOTODIODE
CUST. DWG.	PKG. *ceramic MAT InGaAs
DEVICE MARKING	
(a) G	
(b) IAV350	
(c) DC	

GROUP A AND/OR PERFORMANCE CHARACTERISTICS

NO.	PARAMETER CONDITIONS @ 23°C ± 2°C	MIN	TYP	MAX	UNITS
1	Wavelength Range	1000		1630	nm
2	Responsivity @ M = 1 1550 nm wavelength	0.85	0.90	0.95	A/W
3	Dark Current @ M=10		30	250	nA
4	Operating voltage, V _r @ M=10	37	52	68	volts
5	Breakdown Voltage, V _{br} (I _d = 10 μA)	45	60	75	volts
6	Active Diameter	350	352	355	μm
7	Capacitance @ M=10		3.2	4.0	pF
8	Bandwidth @ M = 5		0.6		GHz
9	Bandwidth @ M = 10		0.6		GHz
10	Bandwidth @ M = 20		0.6		GHz
11	Excess Noise Factor, F @ M = 10		3.2	3.7	
12	Excess Noise Factor, F @ M = 20		5.5	6.0	
13	Noise Equivalent Power, NEP @ M = 10		0.08		pW/Hz ^{1/2}
14	<u>ABSOLUTE MAXIMUM CONDITIONS</u>				
15	Operating Temp Range	0		70	°C
16	Storage Temp Range	-40		85	°C
17	Max Reverse Current			1	mA
18	Max Forward Current	0		10	mA
19	Optical Input (average)			0	dBm

SPECIAL REQUIREMENTS

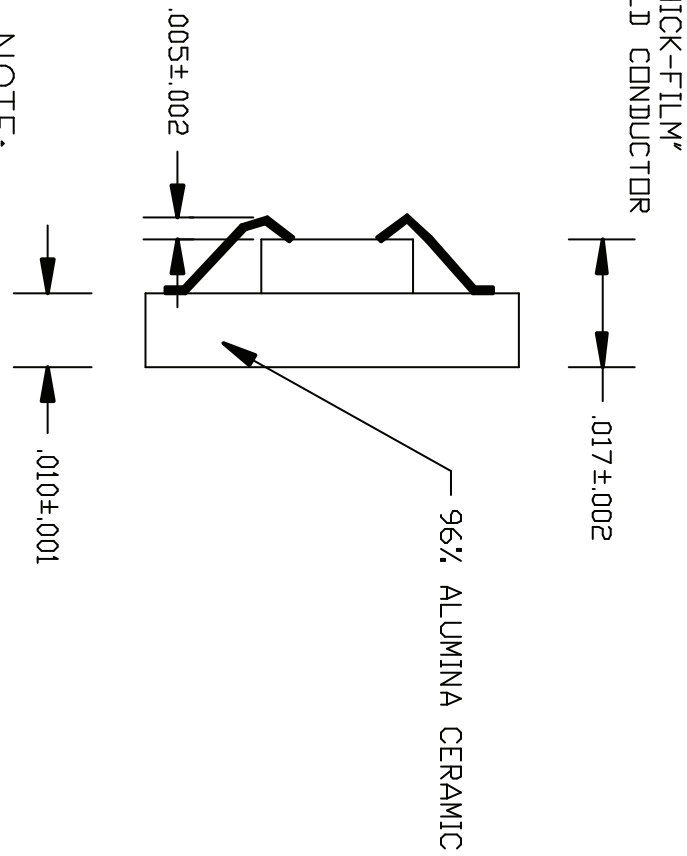
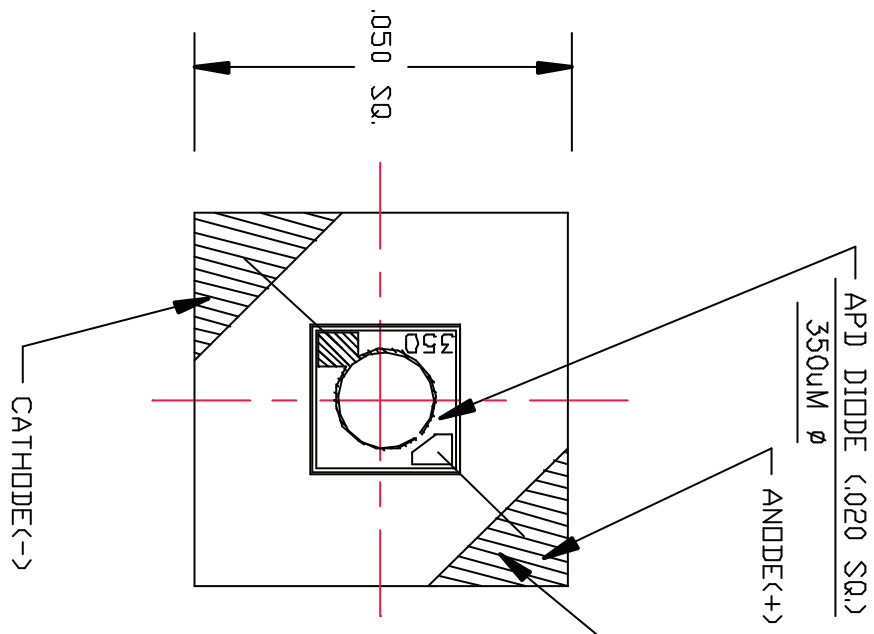
*Ceramic Submount Outline Drawing# 13344 350 Micron Dia. Active Area
 *The following data is required for each unit. Breakdown Voltage @ 10μA, Operating Voltage and Dark Current for Gain=10,15 and 20, Responsivity (X.XX A/W) @ M=1; 1550 nm. *Test conditions @ 23°C ± 2°C RoHS Compliant

REVISION										APPROVED	
----------	--	--	--	--	--	--	--	--	--	----------	--

A-13344

REVISIONS

ZONE	REV	DESCRIPTION	DATE	APPROVED
A	ORIGINATE & RELEASE	1/22/10		



NOTE:
 DIODE TO BE CENTERED WITHIN ±.001
 TO PERIMETER OF CERAMIC.

APPROVALS

USED ON	BY	DATE
DRFT.	C.M.W.	1/22/10
CHK.		
ENG.		
PROC.		

TOLERANCES

ALL DIMS. ARE IN INCHES
 XX PLACE DEC. ±.010
 XXX PLACE DEC. ±.005
 FRACTIONS ±1/64
 ANGLES ±0.5°

FINISH:

MATERIAL:
 SEE FLAGS

GPD OPTOELECTRONICS CORP.
 7 MANOR PARKWAY, SALEM, NH. 03079-2842

OUTLINE IAV352

SIZE	FSCM NO.	DWG NO.	REV
A	53399	13344	A

SCALE 40:1
 SHEET 1 OF 1