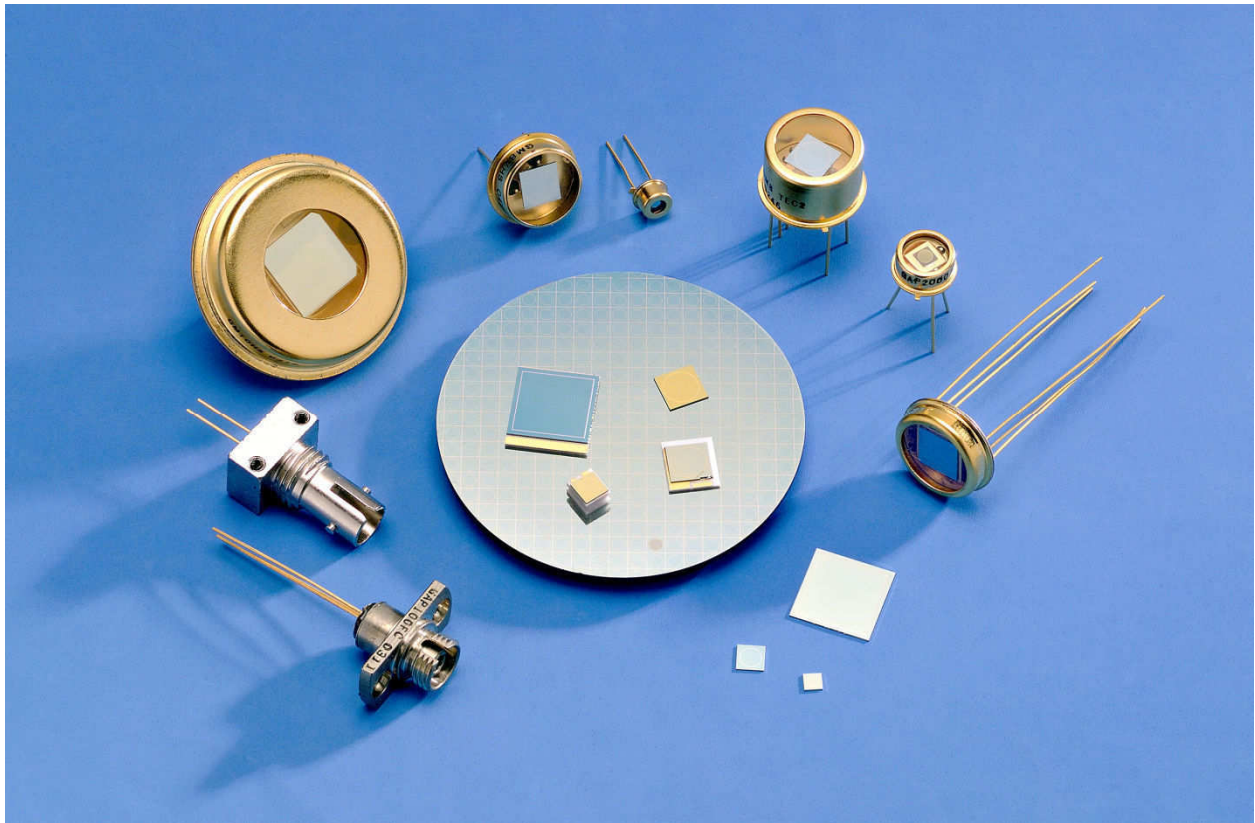


# Product Specification

## IAV202



**GPD Optoelectronics Corp.**

7 Manor Parkway

Salem, NH 03079

Tel: +1 603 894 6865 Fax: +1 603 894 6866

[www.gpd-ir.com](http://www.gpd-ir.com) [sales@gpd-ir.com](mailto:sales@gpd-ir.com)

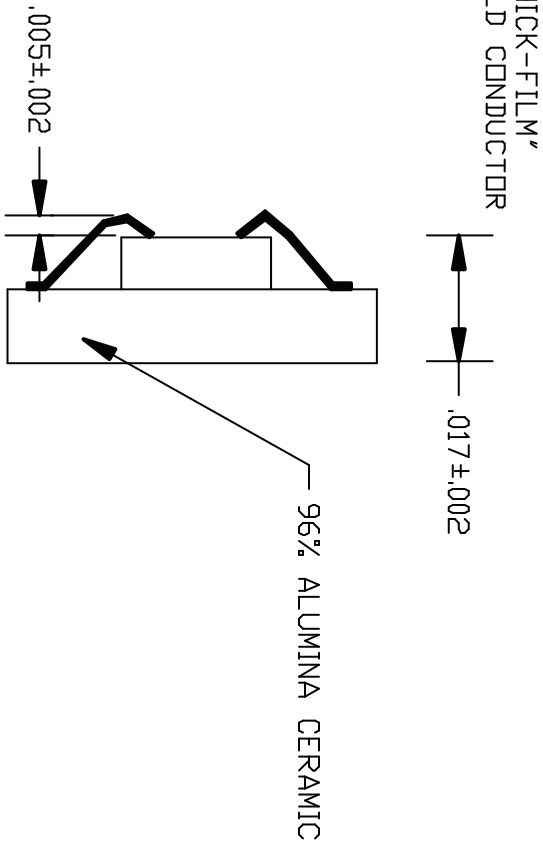
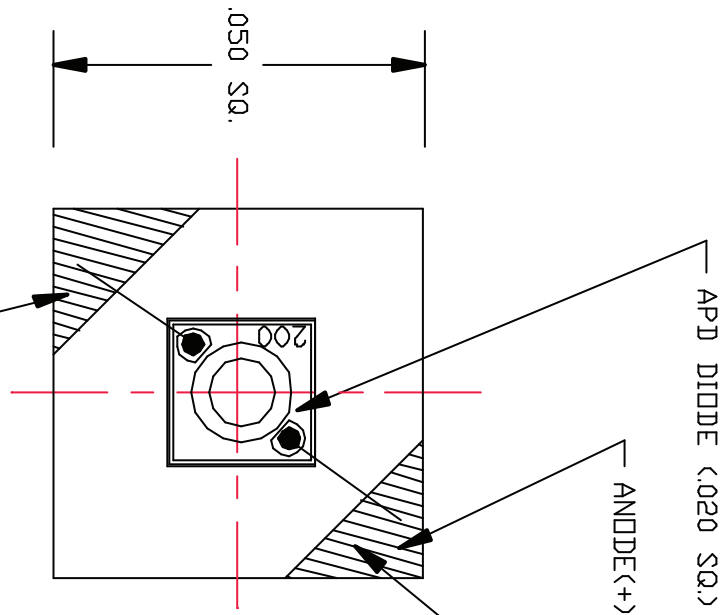


USER

REVDATE

FNAME

REVISIONS		DESCRIPTION	DATE	APPROVED
ZONE	REV			
A	1	ORIGINATE & RELEASE	1/6/10	



NOTE:  
DIODE TO BE CENTERED WITHIN ±.001  
TO PERIMETER OF CERAMIC.

APPROVALS

TOLERANCES

USED ON	BY	DATE
DRFT.	C.M.W.	1/6/10
CHK.		
ENG.		
PROC.		

ALL DIMS. ARE IN INCHES  
XX PLACE DEC.±.010  
XXX PLACE DEC.±.005  
FRACTIONS±1/64  
ANGLES±0.5°  
FINISH:  
MATERIAL:  
SEE FLAGS

GPD OPTOELECTRONICS CORP.  
7 MANOR PARKWAY, SALEM, NH. 03079-2842  
OUTLINE IAV202

SIZE	FSCM NO.	DWG NO.	REV
A	53399		A

SCALE 40:1

SHEET 1 OF 1