

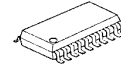
5Vrms Ground Referenced 6-Channel Line Amplifier

■ GENERAL DESCRIPTION

The **NJW1240** is a 6-channel audio line amplifier for High Voltage Pre-out of Car AV system. It can swing 5Vrms(14.1V peak-to-peak) signal at 8V operating voltage because of including the charge pump circuit.

Ground-referenced outputs eliminate output coupling capacitor. The pop noise suppression circuit reduces a pop noise at the power-on and power-off.

■ PACKAGE OUTLINE

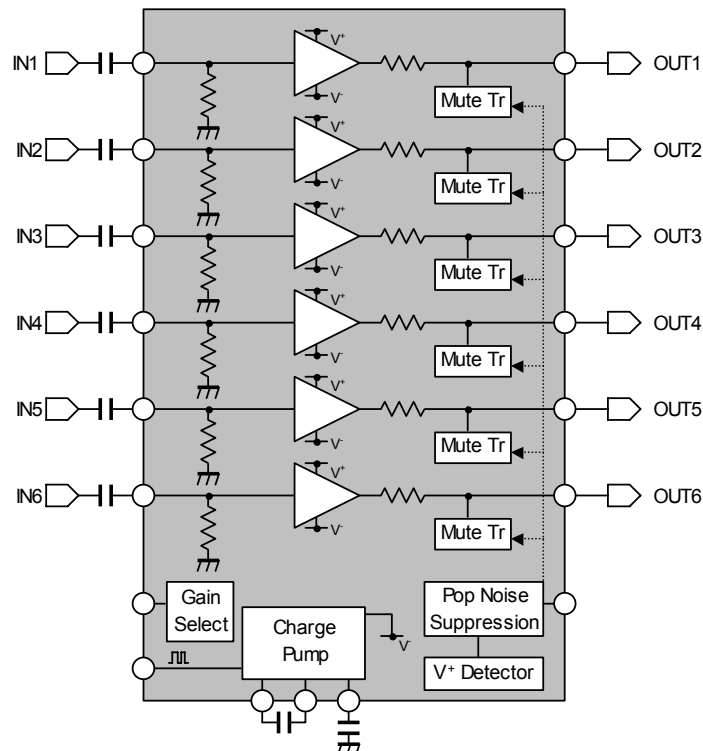


NJW1240V

■ FEATURES

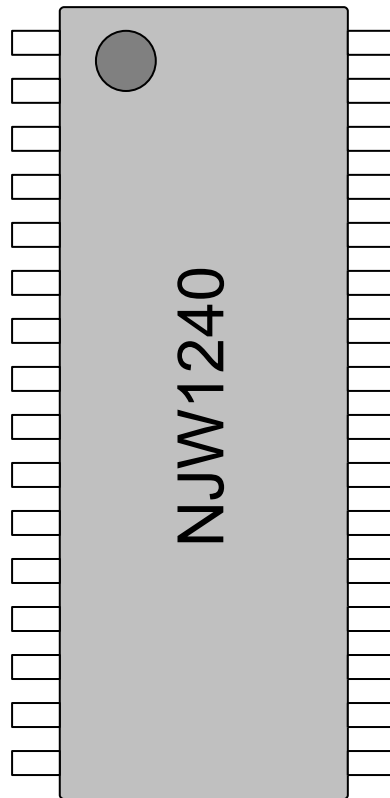
- Operating Voltage +6 to +10V
- Operating Current $I_{DD}=15\text{mA typ.}$
at $V^+=8\text{V}$, $R_L=47\text{k}\Omega$, No Signal
- Maximum Output Voltage 5.0Vrms min.
- Low Distortion 0.0008% typ
- Low Output Noise -102dB typ.
- Output Coupling Capacitor-less
- External Synchronizing Divide-by-2
- Pop Noise Suppression Circuit
- External Mute
- Gain Select +6dB/+8.3dB
- RF Immunity OpAmp tolerant to FR noise. (ex. mobile phone)
- Bi-CMOS Technology
- Package Outline SSOP32

■ BLOCK DIAGRAM



NJW1240

■ PIN CONFIGURATION



No.	Symbol	Function	No.	Symbol	Function
1	IN1	Input 1	17	NC	No Connect
2	IN2	Input 2	18	FB	V- Power Supply External Setting
3	IN3	Input 3	19	CP	Flying Capacitor Positive Terminal
4	IN4	Input 4	20	NC	No Connect
5	IN5	Input 5	21	NC	No Connect
6	IN6	Input 6	22	GND	Ground
7	MUTE	MUTE / Pop Noise Suppression	23	CN	Flying Capacitor Negative Terminal
8	GAIN	Gain Select	24	MUTE_TC	Pop Noise Suppression Capacitor
9	V ⁻ IN	V- Power Input	25	V ⁺ A	V+ Power Supply for Analog
10	V ⁻ OUT	V- Power Output	26	GND	Ground
11	RegCNT	V- Power Control	27	OUT6	Output 6
12	NC	No Connect	28	OUT5	Output 5
13	NC	No Connect	29	OUT4	Output 4
14	CLK	External Clock Input	30	OUT3	Output 3
15	V ⁺ Reg	V+ Power Supply for Regulator	31	OUT2	Output 2
16	NC	No Connect	32	OUT1	Output 1