

PWM SWITCHING REGULATOR CONTROL IC FOR SLAVE TYPE

■ GENERAL DESCRIPTION

The **NJM2379** is a high speed switching regulator control IC, and directly drive an external power MOS-FET to use internal totempole output circuit.

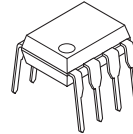
The **NJM2379** operates slave mode which synchronous external oscillation frequency, and the slave mode reduce the total noise.

The **NJM2379** is suitable for flyback type switching regulation up to 10W and several output power supply for LCD panel.

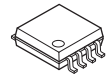
■ FEATURES

- Operating Voltage (3.6 to 32V)
- Reference Voltage (2.5V±2%)
- Input Outside
 - Oscillator Frequency (5 to 350 kHz)
- Output Switch Current (±8mA min.)
- Under Voltage Lockouts Circuit
- Bipolar Technology
- Package Outline DIP8, DMP8, SOP8 JEDEC 150mil SSOP8

■ PACKAGE OUTLINE



NJM2379D
(DIP8)



NJM2379M
(DMP8)

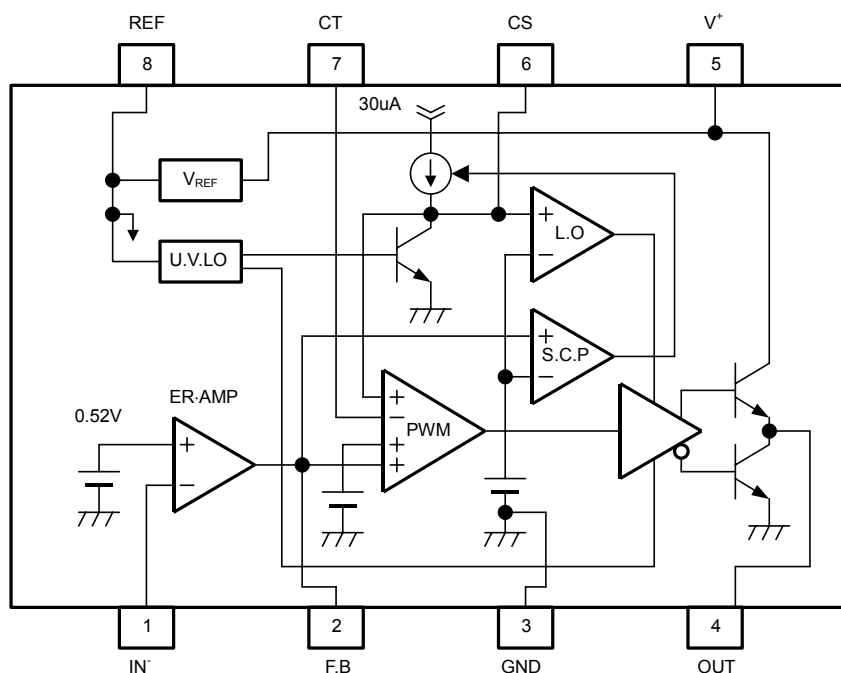


NJM2379E
(SOP8)



NJM2379V
(SSOP8)

■ BLOCK DIAGRAM



PIN FUNCTION

1. IN⁻
2. F.B
3. GND
4. OUT
5. V⁺
6. CS
7. CT
8. REF