

Switching Regulator IC for Buck Converter

Current Mode Control w/ 40V/3A MOSFET

■ GENERAL DESCRIPTION

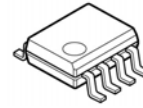
The **NJW4154** is a buck converter with **40V/3A** MOSFET. It corresponds to high oscillating frequency, and Low ESR Output Capacitor (MLCC) within wide input range from 4.5V to 40V.

Therefore, the **NJW4154** can realize downsizing of applications with a few external parts so that adopts current mode control.

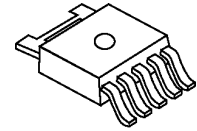
Also, it has a soft start function, external clock synchronization, over current protection and thermal shutdown circuit.

It is suitable for supplying power to a Car Accessory, Office Automation Equipment, Industrial Instrument and so on.

■ PACKAGE OUTLINE



NJW4154GM1



NJW4154DL3

■ FEATURES

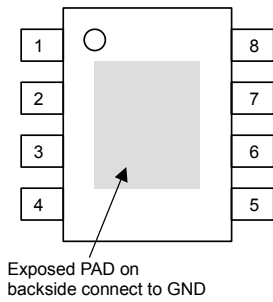
- Current Mode Control
- External Clock Synchronization
- Wide Operating Voltage Range 4.5V to 40V
- Switching Current 4.5A min.
- PWM Control
- Built-in Compensation Circuit
- Correspond to Ceramic Capacitor (MLCC)
- Oscillating Frequency 300kHz typ. (A ver.)
- Soft Start Function 4ms typ.
- UVLO (Under Voltage Lockout)
- Over Current Protection (Hiccup type)
- Thermal Shutdown Protection
- Power Good Function (NJW4154GM1 only)
- Standby Function
- Package Outline NJW4154GM1 : HSOP8
NJW4154DL3 : TO-252-5

■ PRODUCT CLASSIFICATION

Part Number	Version	Oscillation Frequency	Power Good	Package	Operating Temperature Range
NJW4154GM1-A	A	300kHz typ.	√	HSOP8	General Spec. -40°C to +85°C
NJW4154DL3-A	A	300kHz typ.		TO-252-5	General Spec. -40°C to +85°C

NJW4154

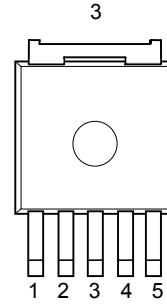
■ PIN CONFIGURATION



NJW4154GM1-A

PIN FUNCTION

1. SW
2. SW
3. GND
4. PG
5. IN-
6. EN/SYNC
7. V⁺
8. V⁺

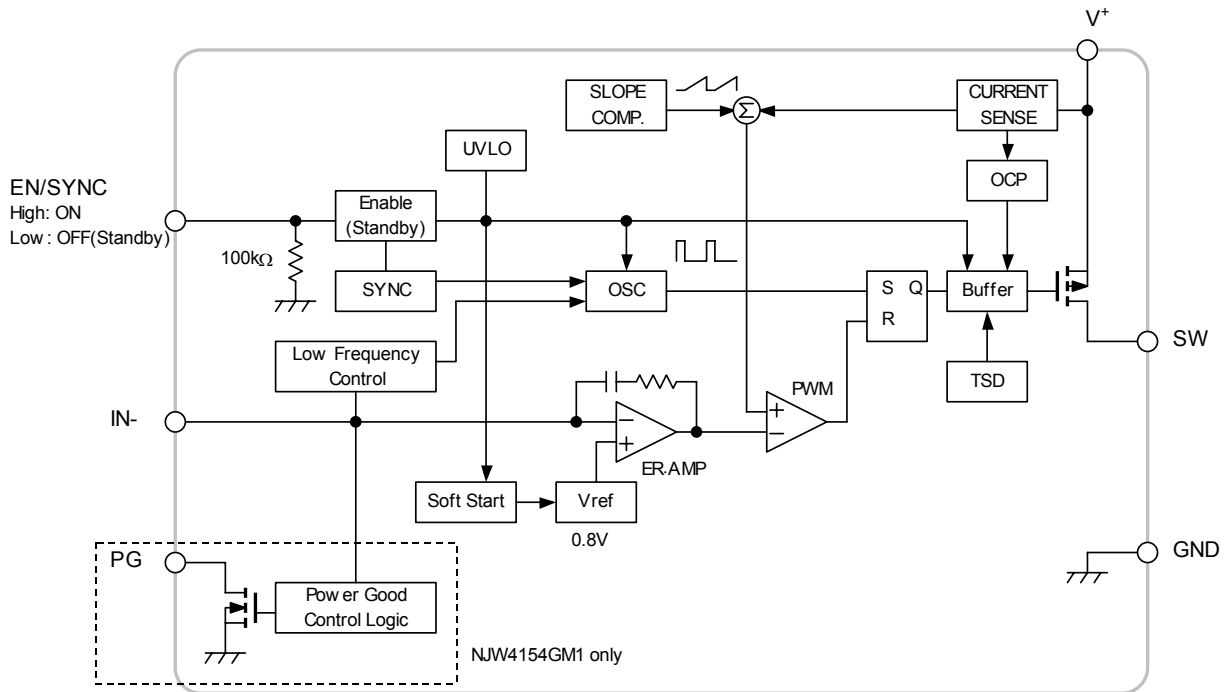


NJW4154DL3-A

PIN FUNCTION

1. V⁺
2. SW
3. GND
4. IN-
5. EN/SYNC

■ BLOCK DIAGRAM



■ ABSOLUTE MAXIMUM RATINGS

(Ta=25°C)

PARAMETER	SYMBOL	MAXIMUM RATINGS	UNIT	
Supply Voltage	V ⁺	+45	V	
V ⁺ - SW pin Voltage	V _{V-SW}	+45	V	
EN/SYNC pin Voltage	V _{EN/SYNC}	+45	V	
IN- pin Voltage	V _{IN-}	-0.3 to +6	V	
Power Good pin Voltage (*1)	V _{PG}	-0.3 to +6	V	
Power Dissipation	P _D	HSOP8	790 (*2)	mW
			2,500 (*3)	
		TO-252-5	1,190 (*4)	
			3,125 (*3)	
Junction Temperature Range	T _j	-40 to +150	°C	
Operating Temperature Range	T _{opr}	-40 to +85	°C	
Storage Temperature Range	T _{stg}	-40 to +150	°C	

(*1): Apply only the NJW4154GM1.

(*2): Mounted on glass epoxy board. (76.2×114.3×1.6mm:based on EIA/JDEC standard, 2Layers)

(*3): Mounted on glass epoxy board. (76.2×114.3×1.6mm:based on EIA/JDEC standard, 4Layers)

(For 4Layers: Applying 74.2×74.2mm inner Cu area and a thermal via hole to a board based on JEDEC standard JESD51-5)

(*4): Mounted on glass epoxy board. (76.2×114.3×1.6mm:based on EIA/JDEC standard size, 2Layers, Cu area 100mm²)

■ RECOMMENDED OPERATING CONDITIONS

PARAMETER	SYMBOL	MIN.	TYP.	MAX.	UNIT
Supply Voltage	V ⁺	4.5	—	40	V
Power Good pin Voltage (*5)	V _{PG}	0	—	5.5	V
External Clock Input Range	f _{SYNC}	290	—	500	kHz

(*5): Apply only the NJW4154GM1.

NJW4154

■ ELECTRICAL CHARACTERISTICS

(Unless otherwise noted, $V^+ = V_{EN/SYNC} = 12V$, $T_a = 25^\circ C$)

PARAMETER	SYMBOL	TEST CONDITION	MIN.	TYP.	MAX.	UNIT
Under Voltage Lockout Block						
ON Threshold Voltage	V_{T_ON}	$V^+ = L \rightarrow H$	4.2	4.4	4.5	V
OFF Threshold Voltage	V_{T_OFF}	$V^+ = H \rightarrow L$	4.1	4.3	4.4	V
Hysteresis Voltage	V_{HYS}		70	90	–	mV
Soft Start Block						
Soft Start Time	T_{SS}	$V_B = 0.75V$	2	4	8	ms
Oscillator Block						
Oscillation Frequency	f_{OSC}	A version, $V_{IN} = 0.7V$	270	300	330	kHz
Oscillation Frequency OCP operates	f_{OSC_LIM}	A version, $V_{IN} = 0.4V$	–	100	–	kHz
Oscillation Frequency deviation (Supply voltage)	f_{DV}	$V^+ = 4.5V$ to $40V$	–	1	–	%
Oscillation Frequency deviation (Temperature)	f_{DT}	$T_a = -40^\circ C$ to $+85^\circ C$	–	5	–	%
Error Amplifier Block						
Reference Voltage	V_B		-1.0%	0.8	+1.0%	V
Input Bias Current	I_B		-0.1	–	+0.1	μA
PWM Compare Block						
Maximum Duty Cycle	M_{AXDUTY}	$V_{IN} = 0.7V$	88	93	–	%
Minimum ON Time1 (Use Built-in Oscillator)	$t_{ON-min1}$		–	250	340	ns
Minimum ON Time2 (Use Ext CLK)	$t_{ON-min2}$	$f_{SYNC} = 400kHz$	–	170	250	ns
OCP Block						
COOL DOWN Time	t_{COOL}		–	25	–	ms
Output Block						
Output ON Resistance	R_{ON}	$I_{SW} = 3A$	–	0.15	0.3	Ω
Switching Current Limit	I_{LIM}		4.5	6	7.5	A
SW Leak Current	I_{LEAK}	$V_{EN/SYNC} = 0V$, $V^+ = 45V$, $V_{SW} = 0V$	–	–	4	μA

■ ELECTRICAL CHARACTERISTICS

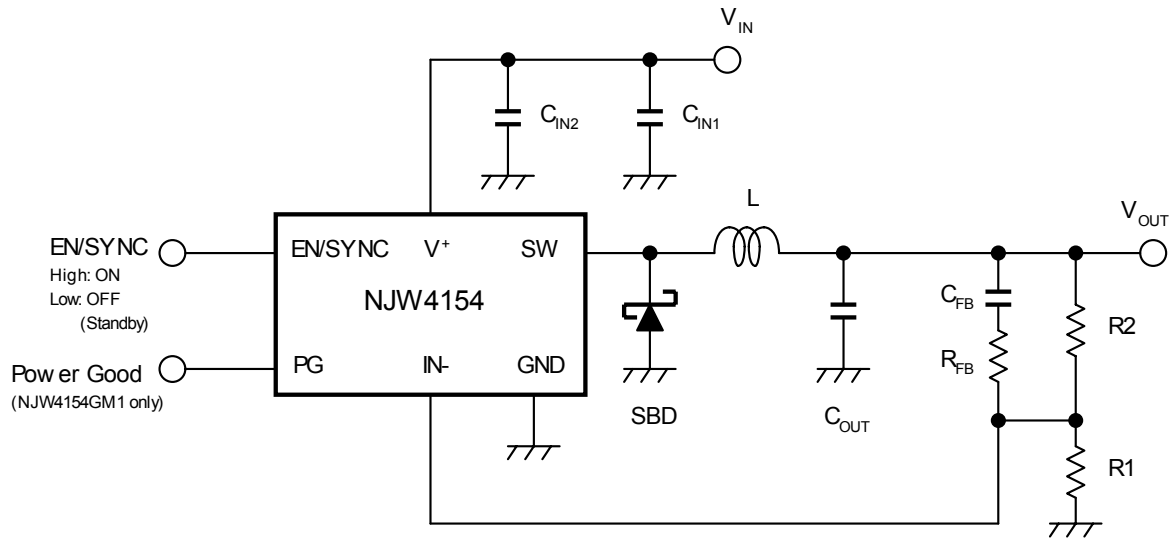
(Unless otherwise noted, $V^+ = V_{\text{EN/SYNC}} = 12\text{V}$, $T_a = 25^\circ\text{C}$)

PARAMETER	SYMBOL	TEST CONDITION	MIN.	TYP.	MAX.	UNIT
Standby Control / Sync Block						
EN/SYNC pin High Threshold Voltage	$V_{\text{THH_EN/SYNC}}$	$V_{\text{EN/SYNC}} = \text{L} \rightarrow \text{H}$	1.6	–	V^+	V
EN/SYNC pin Low Threshold Voltage	$V_{\text{THL_EN/SYNC}}$	$V_{\text{EN/SYNC}} = \text{H} \rightarrow \text{L}$	0	–	0.5	V
Input Bias Current (EN/SYNC pin)	I_{EN}	$V_{\text{EN/SYNC}} = 12\text{V}$	–	170	250	μA
Power Good Block (*6)						
High Level Detection Voltage	$V_{\text{THH_PG}}$	Measured at IN- pin	105	110	115	%
High Level Detection Voltage	$V_{\text{THL_PG}}$	Measured at IN- pin	85	90	95	%
Hysteresis Region	$V_{\text{HYS_PG}}$		–	2	–	%
Power Good ON Resistance	$R_{\text{ON_PG}}$	$I_{\text{PG}} = 10\text{mA}$	–	37	50	Ω
Leak Current at OFF State	$I_{\text{LEAK_PG}}$	$V_{\text{PG}} = 6\text{V}$	–	–	0.1	μA
General Characteristics						
Quiescent Current	I_{DD}	$R_L = \text{no load}$, $V_{\text{IN-}} = 0.7\text{V}$	–	3.5	4.2	mA
Standby Current	$I_{\text{DD_STB}}$	$V_{\text{EN/SYNC}} = 0\text{V}$	–	–	3	μA

(*6): Apply only the NJW4154GM1.

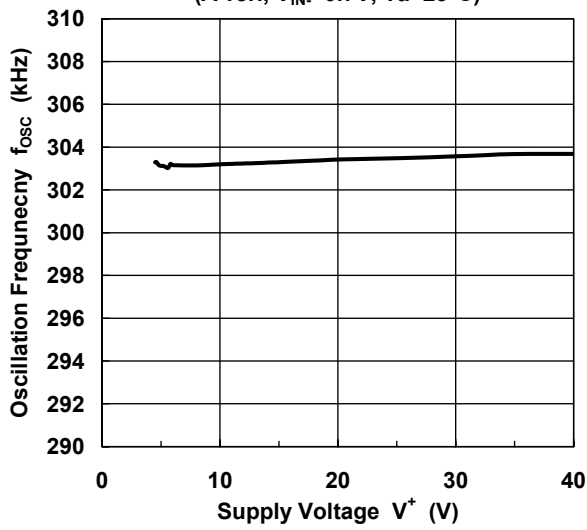
NJW4154

■ TYPICAL APPLICATIONS

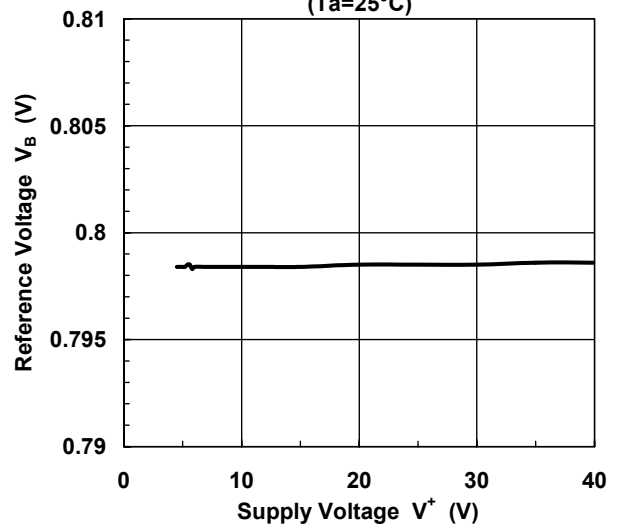


■ TYPICAL CHARACTERISTICS

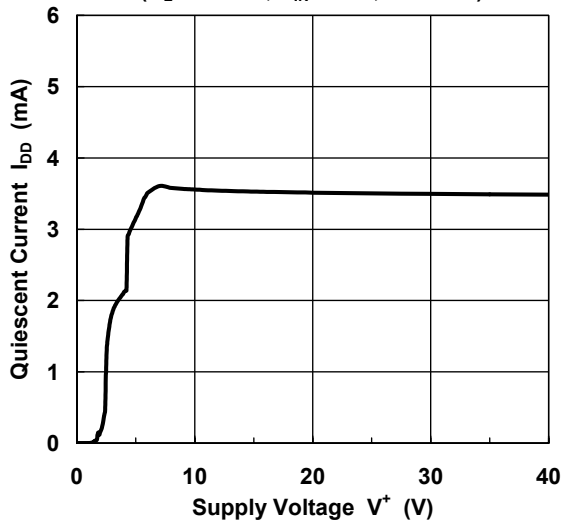
Oscillation Frequency vs. Supply Voltage
(A ver., $V_{IN}=0.7V$, $T_a=25^\circ C$)



Reference Voltage vs. Supply Voltage
($T_a=25^\circ C$)

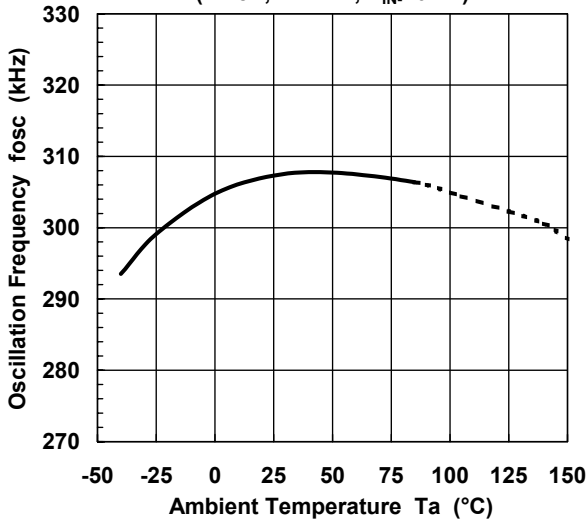


Quiescent Current vs. Supply Voltage
($R_L=no\ load$, $V_{IN}=0.7V$, $T_a=25^\circ C$)

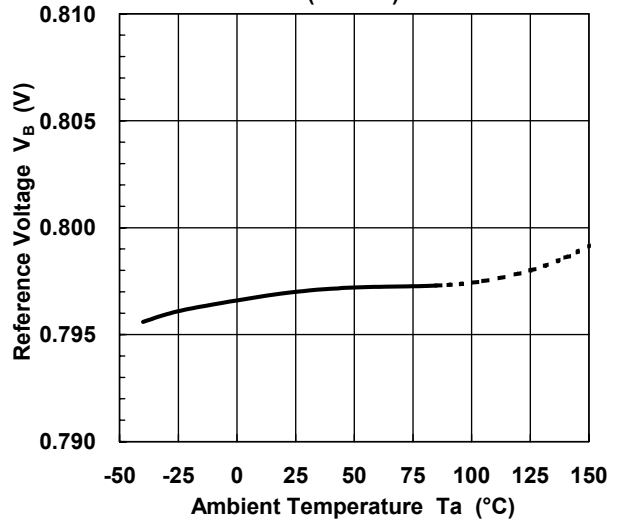


■ TYPICAL CHARACTERISTICS

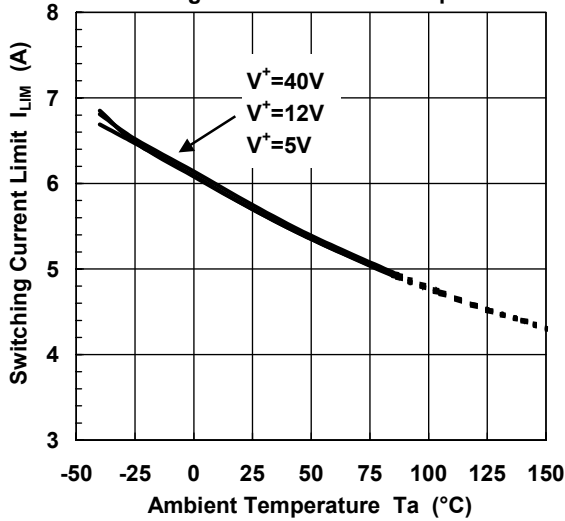
Oscillation Frequency vs Temperature
(A ver., $V^+=12V$, $V_{IN}=0.7V$)



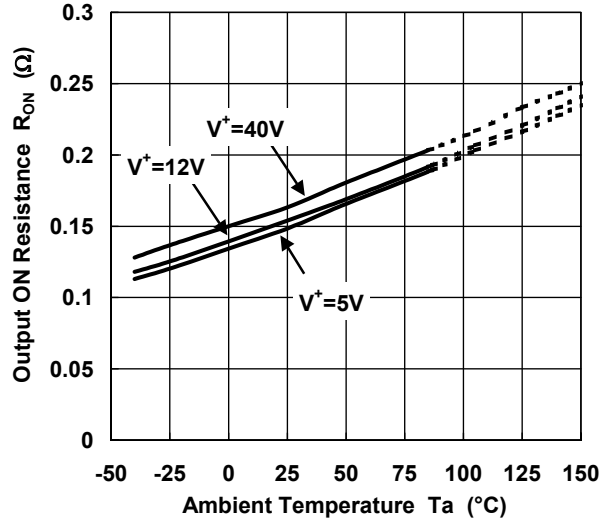
Reference Voltage vs. Temperature
($V^+=12V$)



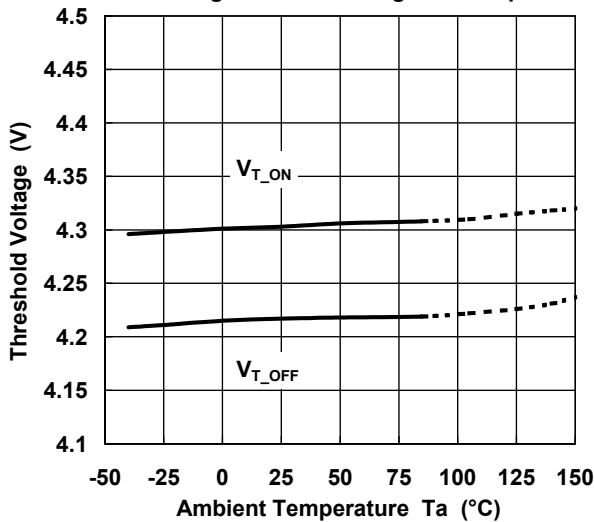
Switching Current Limit vs. Temperature



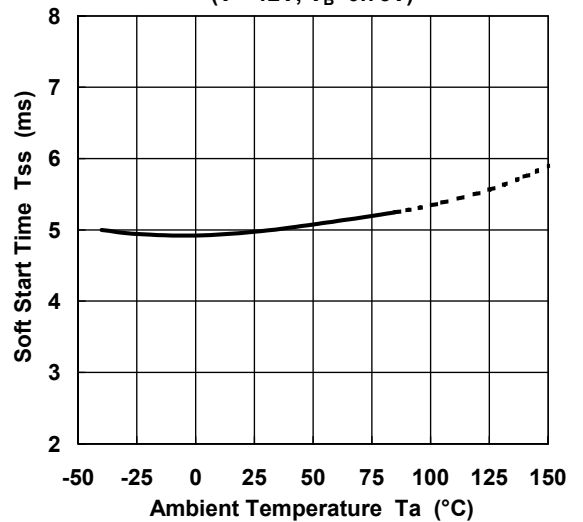
Output ON Resistance vs. Temperature
($I_{sw}=3A$)



Under Voltage Lockout Voltage vs. Temperature

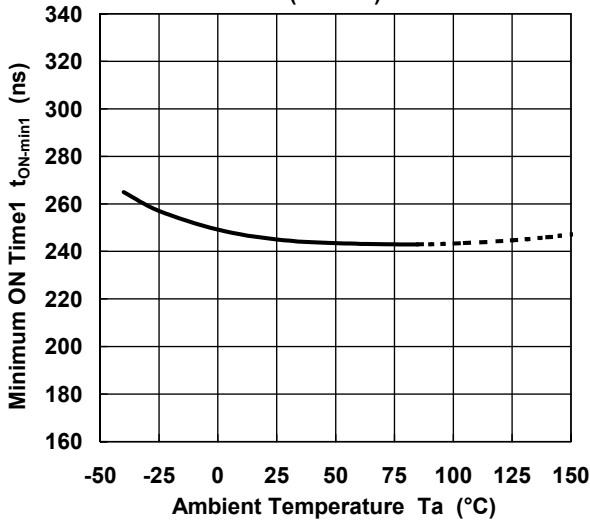


Soft Start Time vs. Temperature
($V^+=12V$, $V_B=0.75V$)

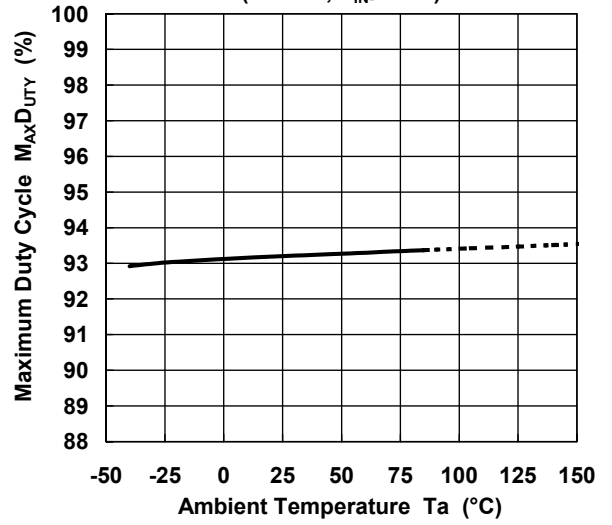


■ TYPICAL CHARACTERISTICS

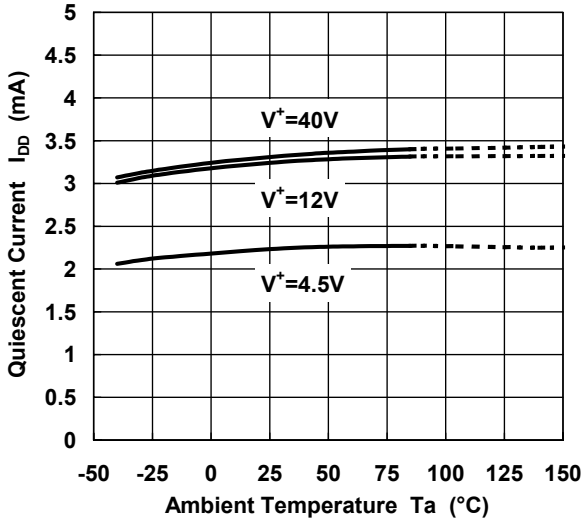
Minimum ON Time1 vs. Temperature
($V^+ = 12V$)



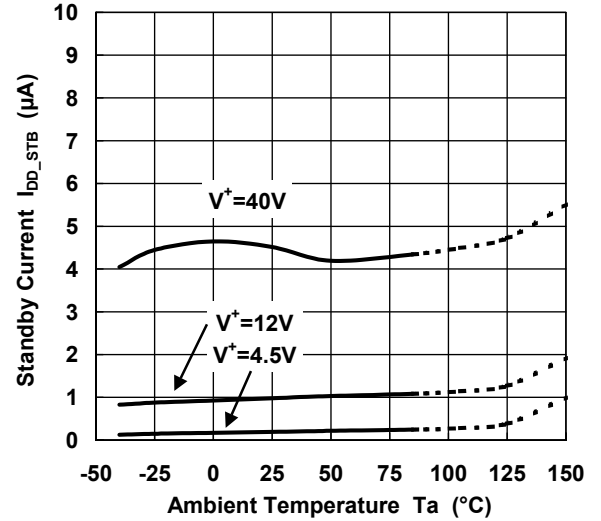
Maximum Duty Cycle vs. Temperature
($V^+ = 12V, V_{IN} = 0.7V$)



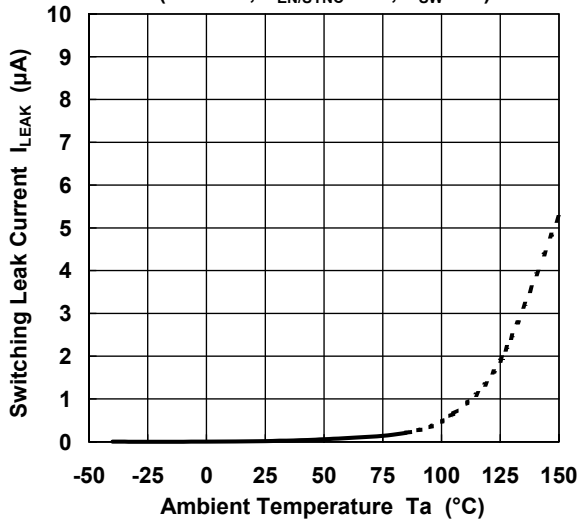
Quiescent Current vs. Temperature
($R_L = \text{no load}, V_{IN} = 0.7V$)



Standby Current vs. Temperature
($V_{EN/SYNC} = 0V$)



Switching Leak Current vs. Temperature
($V^+ = 45V, V_{EN/SYNC} = 0V, V_{SW} = 0V$)



■ PIN DESCRIPTIONS

PIN NAME	PIN NUMBER		FUNCTION
	HSOP8	TO-252-5	
SW	1 2	2	Switch Output pin of Power MOSFET
GND	3	3	GND pin
PG	4	–	Power Good pin. An open drain output that goes high impedance when the IN- pin voltage is stable around $\pm 10\%$. (Only HSOP8 PKG)
IN-	5	4	Output Voltage Detecting pin Connects output voltage through the resistor divider tap to this pin in order to voltage of the IN- pin become 0.8V.
EN/SYNC	6	5	Standby Control pin The EN/SYNC pin internally pulls down with 100k Ω . Normal Operation at the time of High Level. Standby Mode at the time of Low Level or OPEN. Moreover, it operates by inputting clock signal at the oscillatory frequency that synchronized with the input signal.
V ⁺	7 8	1	Power Supply pin for Power Line
Exposed PAD	–	–	Connect to GND (Only HSOP8 PKG)

■ Description of Block Features

1. Basic Functions / Features

● Error Amplifier Section (ER-AMP)

0.8V±1% precise reference voltage is connected to the non-inverted input of this section.

To set the output voltage, connects converter's output to inverted input of this section (IN- pin). If requires output voltage over 0.8V, inserts resistor divider.

Because the optimized compensation circuit is built-in, the application circuit can be composed of minimum external parts.

● PWM Comparator Section (PWM), Oscillation Circuit Section (OSC)

The NJW4154 uses a constant frequency, current mode step down architecture. The oscillation frequency is 300kHz (typ.) at A version. The PWM signal is output by feedback of output voltage and slope compensation switching current at the PWM comparator block.

The maximum duty ratio is 93% (typ.).

The minimum ON time is limited to 250nsec (typ.) at using internal oscillator or 170nsec (typ.) at external synchronization.

The buck converter of ON time is decided the following formula.

$$t_{on} = \frac{V_{OUT}}{V_{IN} \times f_{OSC}} [s]$$

V_{IN} shows input voltage and V_{OUT} shows output voltage.

When the ON time becomes below in t_{ON-min} , in order to maintain output voltage at a stable state, change of duty or pulse skip operation may be performed.

● Power MOSFET (SW Output Section)

The power is stored in the inductor by the switch operation of built-in power MOSFET. The output current is limited to 4.5A(min.) the overcurrent protection function. In case of step-down converter, the forward direction bias voltage is generated with inductance current that flows into the external regenerative diode when MOSFET is turned off.

The SW pin allows voltage between the PV⁺ pin and the SW pin up to +45V. However, you should use an Schottky diode that has low saturation voltage.

● Power Supply, GND pin (V⁺ and GND)

In line with switching element drive, current flows into the IC according to frequency. If the power supply impedance provided to the power supply circuit is high, it will not be possible to take advantage of IC performance due to input voltage fluctuation. Therefore insert a bypass capacitor close to the V⁺ pin – the GND pin connection in order to lower high frequency impedance.

■ Description of Block Features (Continued)

2. Additional and Protection Functions / Features

● Under Voltage Lockout (UVLO)

The UVLO circuit operating is released above $V^+ = 4.4V$ (typ.) and IC operation starts. When power supply voltage is low, IC does not operate because the UVLO circuit operates. There is 90mV(typ.) width hysteresis voltage at rise and decay of power supply voltage. Hysteresis prevents the malfunction at the time of UVLO operating and releasing.

● Soft Start Function (Soft Start)

The output voltage of the converter gradually rises to a set value by the soft start function. The soft start time is 4ms (typ.). It is defined with the time of the error amplifier reference voltage becoming from 0V to 0.75V. The soft start circuit operates after the release UVLO and/or recovery from thermal shutdown.

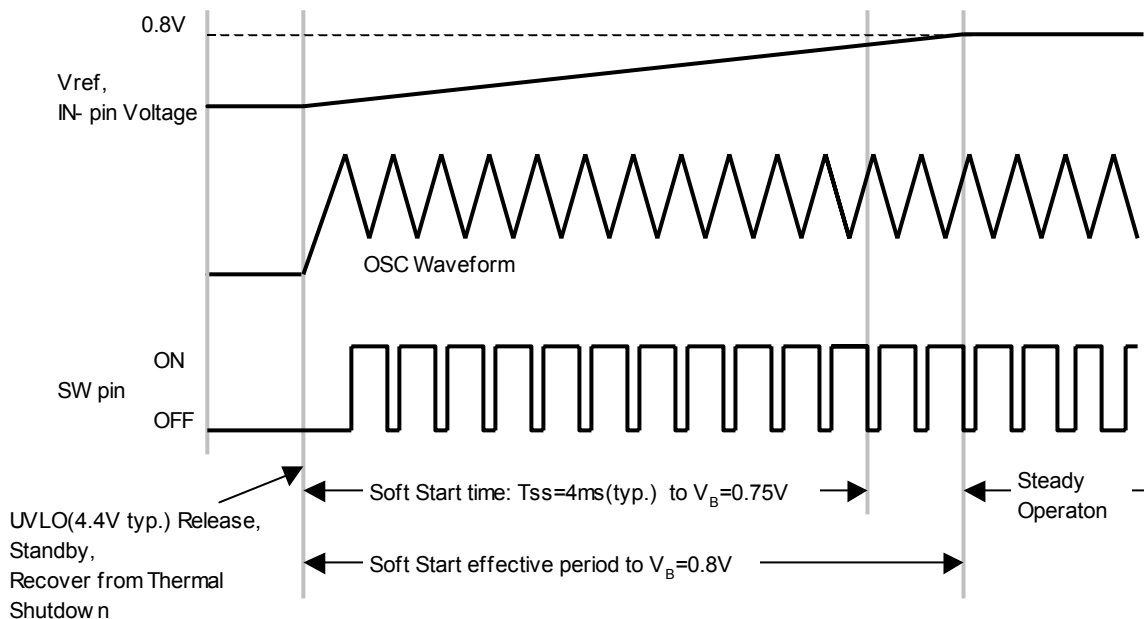


Fig. 1. Startup Timing Chart

■ Description of Block Features (Continued)

● Over Current Protection Circuit (OCP)

NJW4154 contains overcurrent protection circuit of hiccup architecture. The overcurrent protection circuit of hiccup architecture is able to decrease heat generation at the overload.

The NJW4154 output returns automatically along with release from the over current condition.

At when the switching current becomes I_{LIM} or more, the overcurrent protection circuit is stopped the MOSFET output. The switching output holds low level down to next pulse output at OCP operating.

When IN- pin voltage becomes 0.5V or less, it operates with 100kHz (typ.).

At the same time starts pulse counting, and stops the switching operation when the overcurrent detection continues approx 1ms.

After NJW4154 switching operation was stopped, it restarts by soft start function after the cool down time of approx 25ms (typ.).

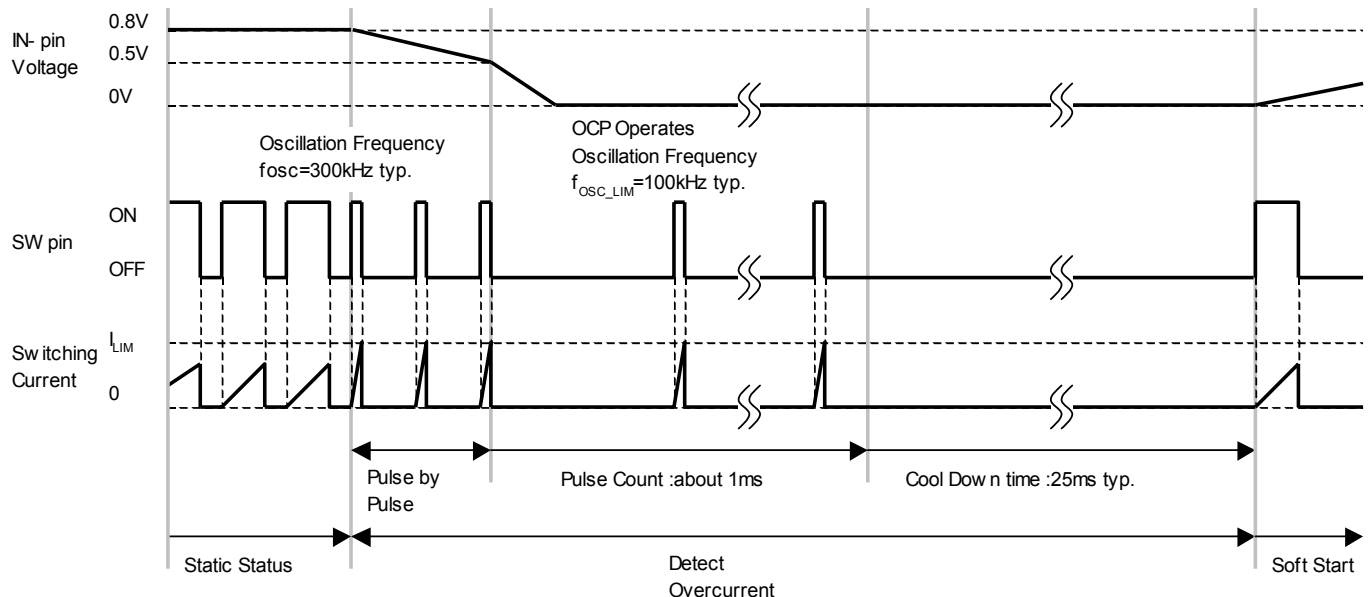


Fig. 2. Timing Chart at Over Current Detection

● Thermal Shutdown Function (TSD)

When Junction temperature of the NJW4154 exceeds the $160^{\circ}C^*$, internal thermal shutdown circuit function stops SW function. When junction temperature decreases to $145^{\circ}C^*$ or less, SW operation returns with soft start operation.

The purpose of this function is to prevent malfunctioning of IC at the high junction temperature. Therefore it is not something that urges positive use. You should make sure to operate within the junction temperature range rated ($150^{\circ}C$). (* Design value)

● Standby Function

The NJW4154 stops the operating and becomes standby status when the EN/SYNC pin becomes less than 0.5V.

The EN/SYNC pin internally pulls down with $100k\Omega$, therefore the NJW4154 becomes standby mode when the EN/SYNC pin is OPEN. You should connect this pin to V^+ when you do not use standby function.

■ Description of Block Features (Continued)

● External Clock Synchronization

By inputting a square wave to EN/SYNC pin, can be synchronized to an external frequency.

You should fulfill the following specification about a square wave.

Input Frequency	: 290kHz to 500kHz
Duty Cycle	: 20% to 80%
Voltage magnitude	: 1.6V or more at High level 0.5V or less at Low level

The trigger of the switching operating at the external synchronized mode is detected to the rising edge of the input signal. At the time of switching operation from standby or asynchronous to synchronous operation, it has set a delay time approx 20 μ s to 30 μ s in order to prevent malfunctions. (Fig. 3.)

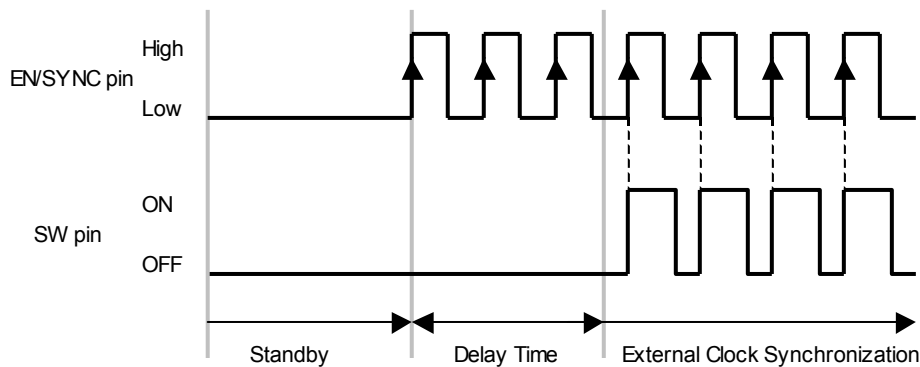


Fig. 3. Switching Operation by External Synchronized Clock

● Power Good Function (NJW4154GM1 only)

It monitors the output status and outputs a signal from PG pin that internally connected to open drain MOSFET.

The Power Good pin goes high impedance when the IN- pin voltage is stable around $\pm 10\%$ (typ.) of error amplifier reference voltage.

A low on the pin indicates that the IN- pin voltage is out of the setting voltage.

To prevent malfunction of the Power Good output, it has hysteresis 2%(typ.) and the delay time approx 20 μ s to 30 μ s against the IN- pin voltage changes.

■ Application Information

● Inductors

Because a large current flows to the inductor, you should select the inductor with the large current capacity not to saturate. Optimized inductor value is determined by the input voltage and output voltage.

The Optimized inductor value: (It is a reference value.)

$$V_{iIN}=12V \rightarrow V_{OUT}=3.3V \quad : L \leq 3.5\mu H$$

$$V_{iIN}=12V \rightarrow V_{OUT}=5.0V \quad : L \leq 4.7\mu H$$

$$V_{iIN}=24V \rightarrow V_{OUT}=5.0V \quad : L \leq 3.5\mu H$$

You should set the inductor as a guide from above mentioned value to half value.

Reducing L decreases the size of the inductor. However a peak current increases and adversely affects the efficiency. (Fig. 4.)

Moreover, you should be aware that the output current is limited because it becomes easy to operating to the overcurrent limit.

The peak current is decided the following formula.

$$\Delta I_L = \frac{(V_{iIN} - V_{OUT}) \times V_{OUT}}{L \times V_{iIN} \times f_{OSC}} \text{ [A]}$$

$$I_{pk} = I_{OUT} + \frac{\Delta I_L}{2} \text{ [A]}$$

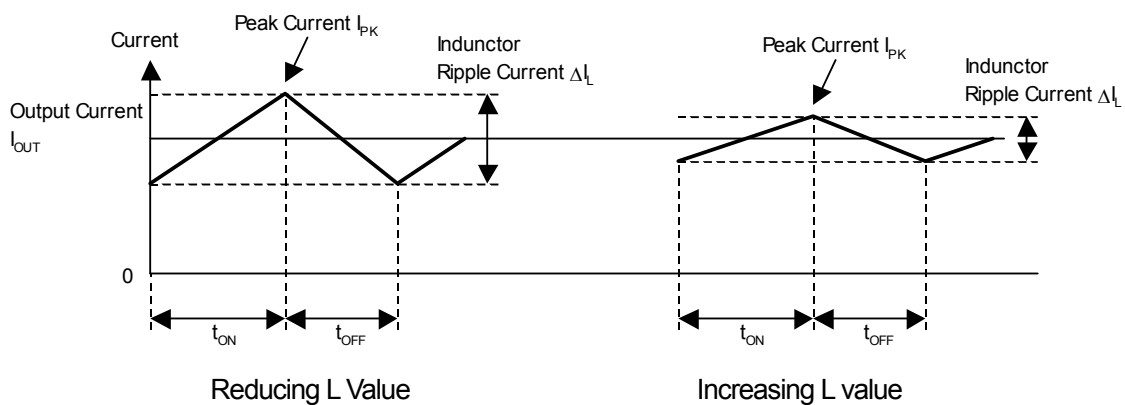


Fig. 4. Inductor Current State Transition (Continuous Conduction Mode)

■ Application Information (Continued)

● Catch Diode

When the switch element is in OFF cycle, power stored in the inductor flows via the catch diode to the output capacitor. Therefore during each cycle current flows to the diode in response to load current. Because diode's forward saturation voltage and current accumulation cause power loss, a Schottky Barrier Diode (SBD), which has a low forward saturation voltage, is ideal.

An SBD also has a short reverse recovery time. If the reverse recovery time is long, through current flows when the switching transistor transitions from OFF cycle to ON cycle. This current may lower efficiency and affect such factors as noise generation.

● Input Capacitor

Transient current flows into the input section of a switching regulator responsive to frequency. If the power supply impedance provided to the power supply circuit is large, it will not be possible to take advantage of the NJW4154 performance due to input voltage fluctuation. Therefore insert an input capacitor as close to the MOSFET as possible. A ceramic capacitor is the optimal for input capacitor.

The effective input current can be expressed by the following formula.

$$I_{\text{RMS}} = I_{\text{OUT}} \times \frac{\sqrt{V_{\text{OUT}} \times (V_{\text{IN}} - V_{\text{OUT}})}}{V_{\text{IN}}} \text{ [A]}$$

In the above formula, the maximum current is obtained when $V_{\text{IN}} = 2 \times V_{\text{OUT}}$, and the result in this case is

$$I_{\text{RMS}} = I_{\text{OUT(MAX)}} \div 2.$$

When selecting the input capacitor, carry out an evaluation based on the application, and use a capacitor that has adequate margin.

● Output Capacitor

An output capacitor stores power from the inductor, and stabilizes voltage provided to the output.

Because NJW4154 corresponds to the output capacitor of low ESR, the ceramic capacitor is the optimal for compensation.

The Optimized capacitor value: (It is a reference value.)

$$V_{\text{OUT}} = 3.3\text{V} \quad : C_{\text{OUT}} \geq 100\mu\text{F}$$

$$V_{\text{OUT}} = 5.0\text{V} \quad : C_{\text{OUT}} \geq 47\mu\text{F}$$

In addition, you should consider varied characteristics of capacitor (a frequency characteristic, a temperature characteristic, a DC bias characteristic and so on) and unevenness peculiar to a capacitor supplier enough.

Therefore when selecting a capacitors, you should confirm the characteristics with supplier datasheets.

When selecting an output capacitor, you must consider Equivalent Series Resistance (ESR) characteristics, ripple current, and breakdown voltage.

The output ripple noise can be expressed by the following formula.

$$V_{\text{ripple(p-p)}} = \text{ESR} \times \Delta I_{\text{L}} \text{ [V]}$$

The effective ripple current that flows in a capacitor (I_{rms}) is obtained by the following equation.

$$I_{\text{rms}} = \frac{\Delta I_{\text{L}}}{2\sqrt{3}} \text{ [Arms]}$$

■ Application Information (Continued)

● Setting Output Voltage, Compensation Capacitor

The output voltage V_{OUT} is determined by the relative resistances of R1, R2. The current that flows in R1, R2 must be a value that can ignore the bias current that flows in ER AMP.

$$V_{OUT} = \left(\frac{R2}{R1} + 1 \right) \times V_B \text{ [V]}$$

The zero points are formed with R2 and C_{FB} , and it makes for the phase compensation of NJW4154. The zero point is shown the following formula.

$$f_{z1} = \frac{1}{2 \times \pi \times R2 \times C_{FB}} \text{ [Hz]}$$

You should set the zero point as a guide from 50kHz to 70kHz.

■ Application Information (Continued)

● Board Layout

In the switching regulator application, because the current flow corresponds to the oscillation frequency, the substrate (PCB) layout becomes an important.

You should attempt the transition voltage decrease by making a current loop area minimize as much as possible. Therefore, you should make a current flowing line thick and short as much as possible. Fig.5. shows a current loop at step-down converter. Especially, should lay out high priority the loop of C_{IN} -SW-SBD that occurs rapid current change in the switching. It is effective in reducing noise spikes caused by parasitic inductance.

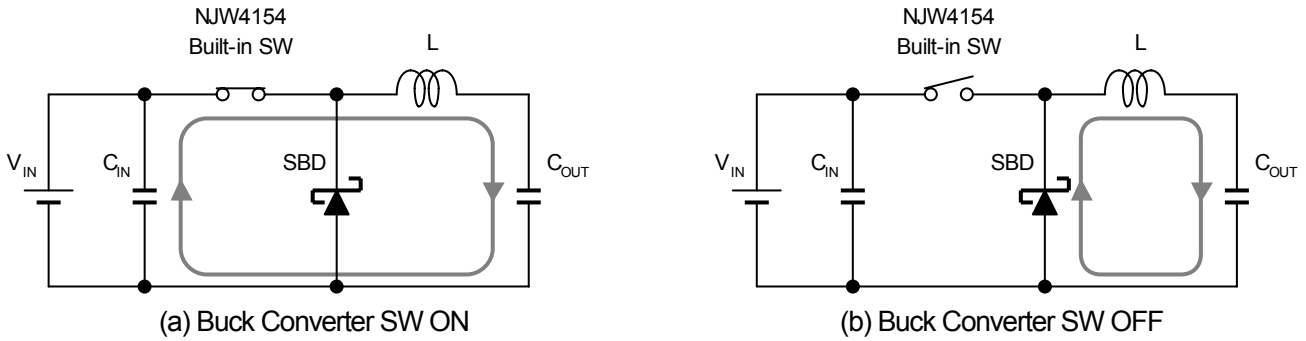


Fig. 5. Current Loop at Buck Converter

Concerning the GND line, it is preferred to separate the power system and the signal system, and use single ground point.

The voltage sensing feedback line should be as far away as possible from the inductance. Because this line has high impedance, it is laid out to avoid the influence noise caused by flux leaked from the inductance.

Fig. 6. shows example of wiring at buck converter. Fig. 7 shows the PCB layout example.

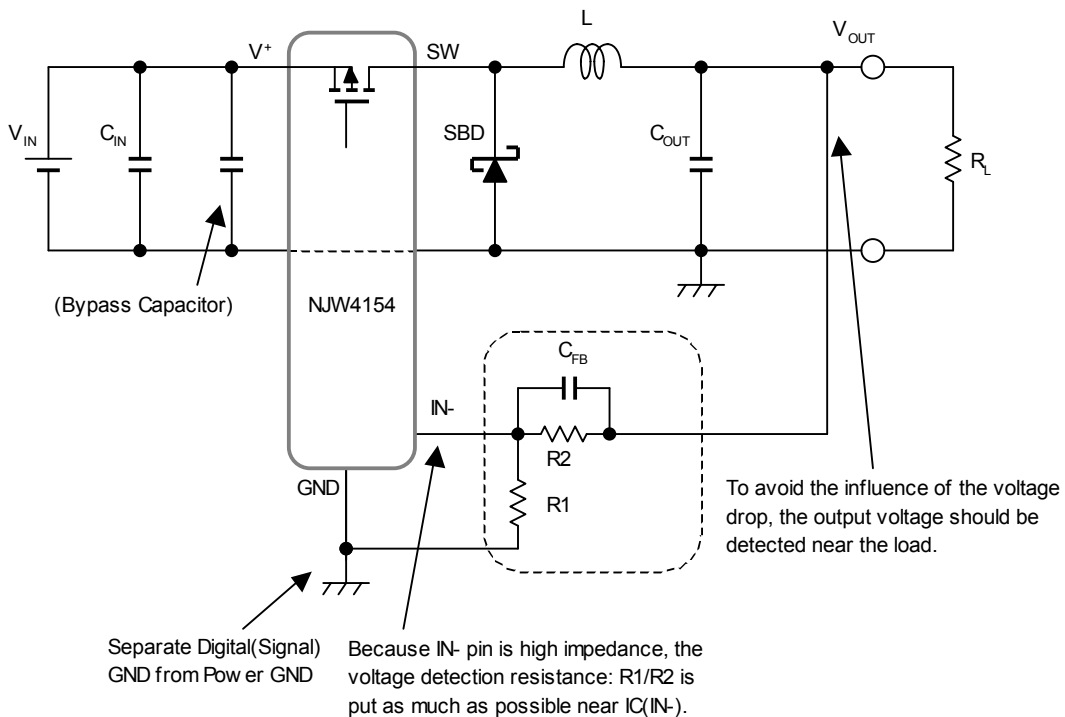
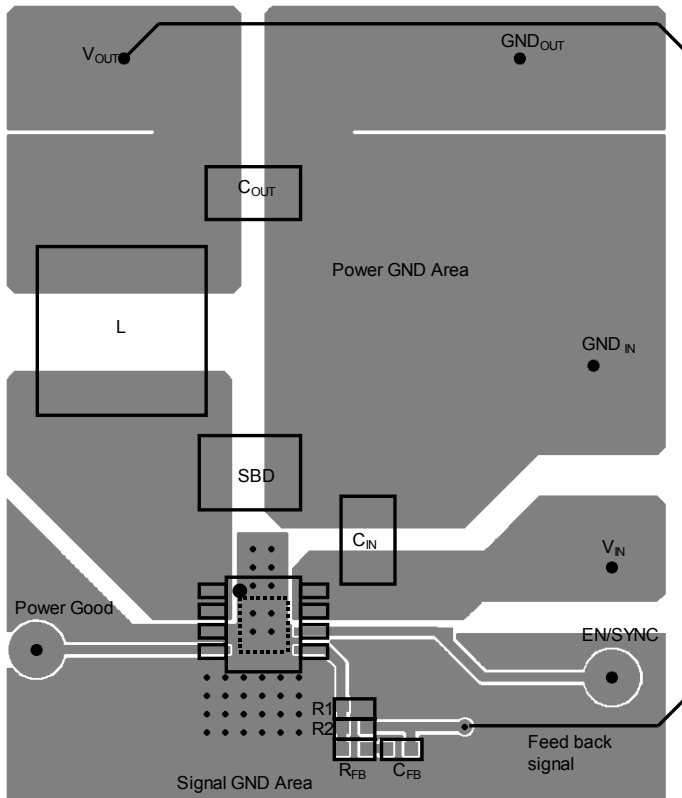
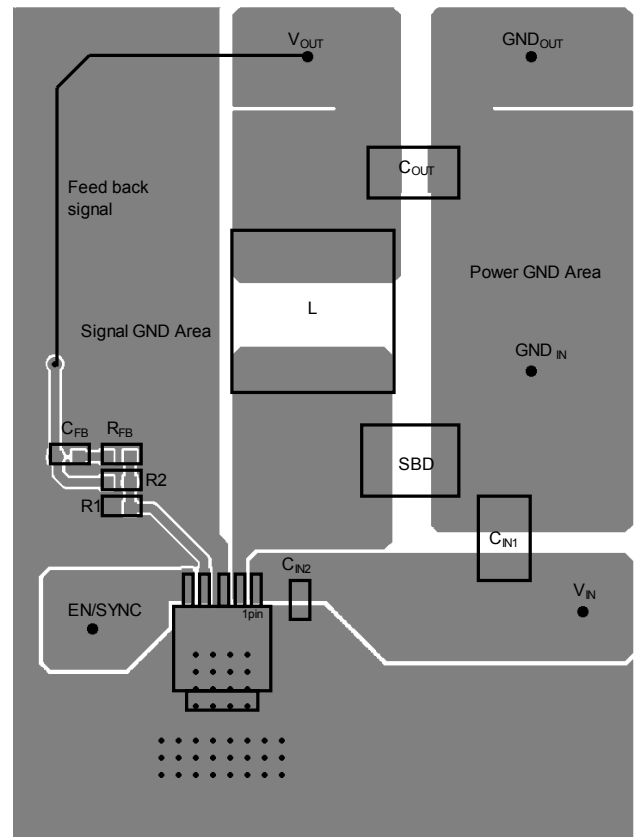


Fig. 6. Board Layout at Buck Converter

■ Application Information (Continued)



HSOP8 Package



TO-252-5 Package

Connect Signal GND line and Power GND line on backside pattern

Fig. 7. Layout Example (upper view)

■ Calculation of Package Power

A lot of the power consumption of buck converter occurs from the internal switching element (Power MOSFET). Power consumption of NJW4154 is roughly estimated as follows.

Input Power:	$P_{IN} = V_{IN} \times I_{IN}$ [W]
Output Power:	$P_{OUT} = V_{OUT} \times I_{OUT}$ [W]
Diode Loss:	$P_{DIODE} = V_F \times I_{L(avg)} \times \text{OFF duty}$ [W]
NJW4154 Power Consumption:	$P_{LOSS} = P_{IN} - P_{OUT} - P_{DIODE}$ [W]

Where:

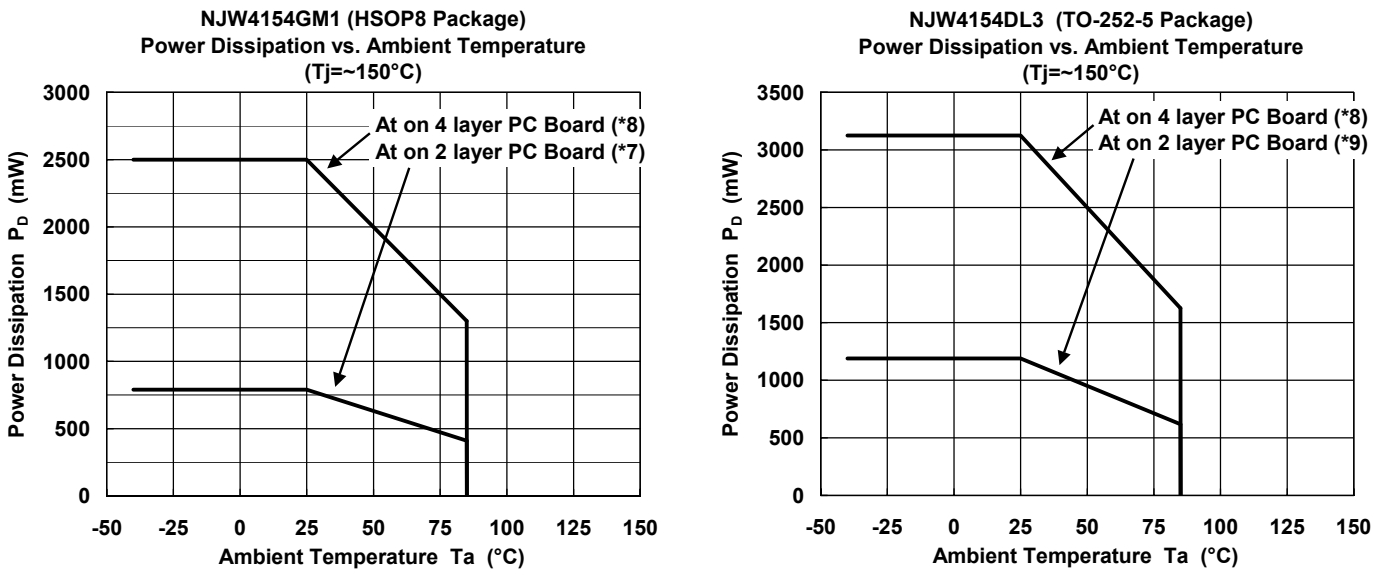
V_{IN}	: Input Voltage for Converter	I_{IN}	: Input Current for Converter
V_{OUT}	: Output Voltage of Converter	I_{OUT}	: Output Current of Converter
V_F	: Diode's Forward Saturation Voltage	$I_{L(avg)}$: Inductor Average Current
OFF duty	: Switch OFF Duty		

Efficiency (η) is calculated as follows.

$$\eta = (P_{OUT} \div P_{IN}) \times 100 [\%]$$

You should consider temperature derating to the calculated power consumption: P_D .

You should design power consumption in rated range referring to the power dissipation vs. ambient temperature characteristics (Fig. 8).



(*7): Mounted on glass epoxy board. (76.2×114.3×1.6mm:based on EIA/JDEC standard, 2Layers)

(*8): Mounted on glass epoxy board. (76.2×114.3×1.6mm:based on EIA/JDEC standard, 4Layers)

(For 4Layers: Applying 74.2×74.2mm inner Cu area and a thermal via hall to a board based on JEDEC standard JESD51-5)

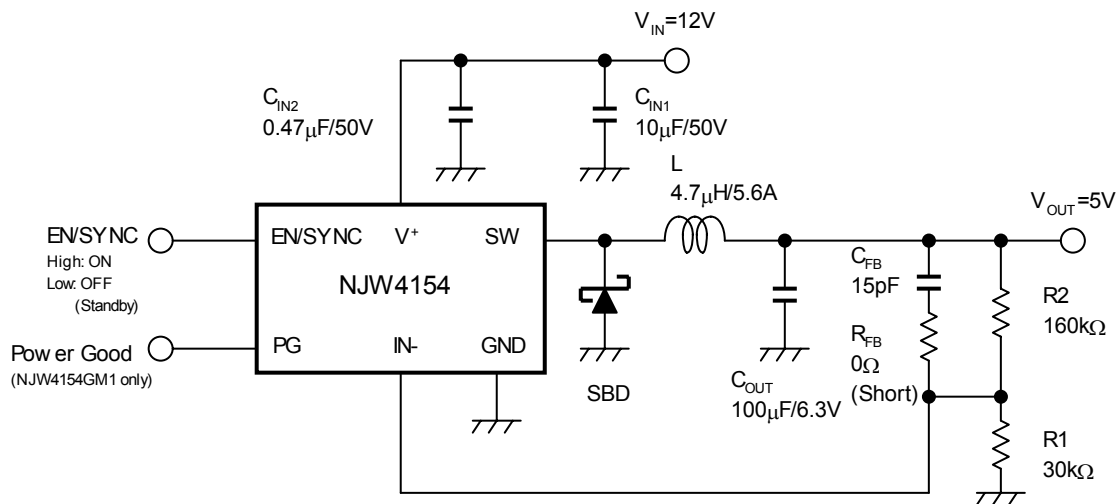
(*9): Mounted on glass epoxy board. (76.2×114.3×1.6mm:based on EIA/JDEC standard size, 2Layers, Cu area 100mm²)

Fig. 8. Power Dissipation vs. Ambient Temperature Characteristics

■ Application Design Examples

● Buck Converter Application Circuit

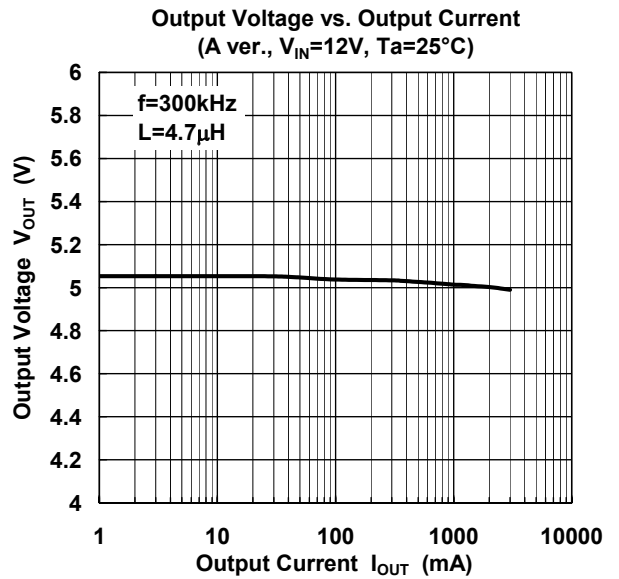
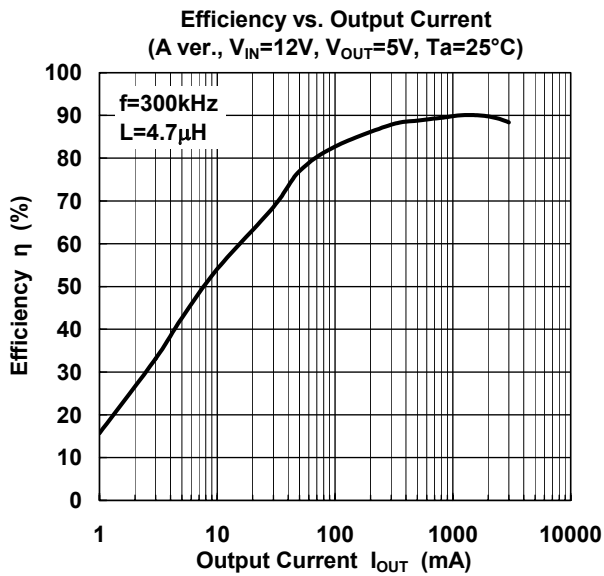
IC : NJW4154GM1-A
 Input Voltage : $V_{IN}=12V$
 Output Voltage : $V_{OUT}=5V$
 Output Current : $I_{OUT}=3A$
 Oscillation frequency : $f_{osc}=300kHz$



Reference	Qty.	Part Number	Description	Manufacturer
IC	1	NJW4154	Internal 3A MOSFET SW.REG. IC	New JRC
L	1	CDRH127NP-4R7N	Inductor 4.7µH, 5.6A	Sumida
SBD	1	MBRS540T3G	Schottky Diode 40V, 5A	ON Semiconductor
C _{IN1}	1	UMK325BJ106MM	Ceramic Capacitor 3225 10µF, 50V, X5R	Taiyo Yuden
C _{IN2}	1	0.47µF	Ceramic Capacitor 2012 0.47µF, 50V, B	Std.
C _{OUT}	1	GRM32EB30J107ME16L	Ceramic Capacitor 3225 100µF, 6.3V, B	Murata
C _{FB}	1	15pF	Ceramic Capacitor 1608 15pF, 50V, CH	Std.
R _{FB}	1	0Ω (Short)	Optional	—
R1	1	30kΩ	Resistor 1608 30kΩ, ±1%, 0.1W	Std.
R2	1	160kΩ	Resistor 1608 160kΩ, ±1%, 0.1W	Std.

■ Application Characteristics :NJW4154GM1-A

- At $V_{OUT}=5.0V$ setting



[CAUTION]

The specifications on this databook are only given for information, without any guarantee as regards either mistakes or omissions. The application circuits in this databook are described only to show representative usages of the product and not intended for the guarantee or permission of any right including the industrial rights.