

Features

- HDMI1.4 compliant re-driver
- Operation up to 3.4Gbps per lane (340MHz pixel clock) for 4K x 2K 24Hz(297MHz) and 3D Video formats(1080p, 1080i, 720p)
- 48-bit per pixel Deep Color™
- Convert low-swing DC and AC coupled differential inputs including Dual Mode DisplayPort AC coupled signals
- Open-drain current steering Rx terminated differential output
- Support Output Squelch function for the power-down mode
- Idle clock detection function for output squelch and auto standby features
- Provide Output squelch function to turn off TMDS common mode output when the clock is not present
- Built-in Rx sense detection function and Passive DDC level shifter
- Programmable equalizer, Pre-emphasis and amplitude settings to achieve optimized HDMI signal integrity
- Support 3.3V source to 5V sink-side system
- Integrated ESD protection on I/O pins for 8kV HBM and contact per IEC61000-4-2, level 4
- 3.3V Power supply
- 32-pin TQFN (ZL), Pb-free & Green

Description

PI3HDMI511 is TMDS ReDriver (Repeater) supporting HDMI 1.4 and legacy DVI 1.0 specifications up to the 3.4Gbps data rate with 48-bit per pixel Deep Color™.

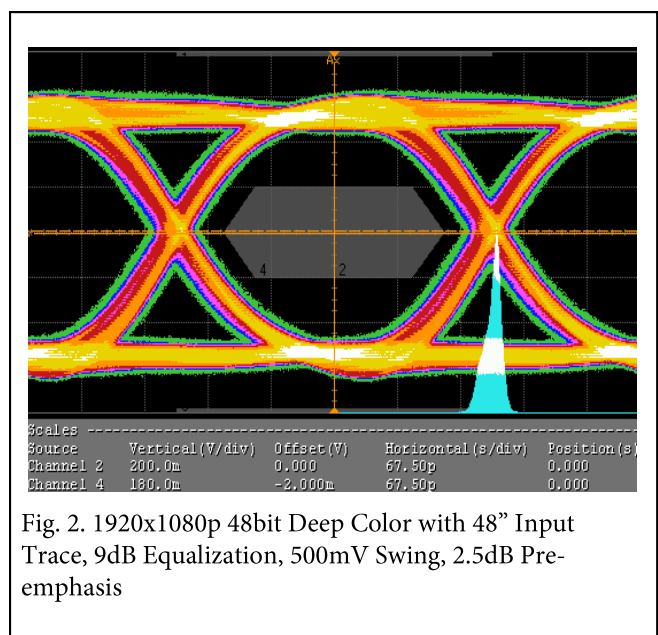
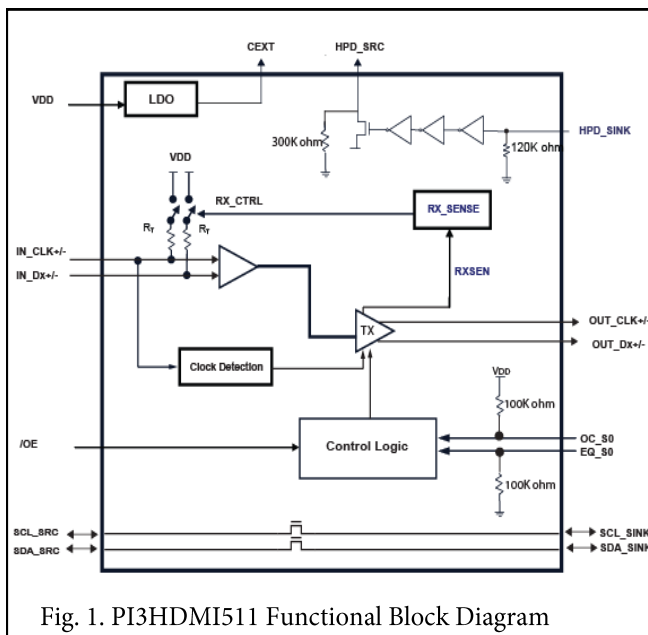
It converts the DC and AC coupled source devices into the HDMI compliant signal with proper signal swing, especially in the Notebook HDMI and Dual mode DisplayPort PC chipset and docking products.

Programmable termination settings at TMDS input helps to avoid the compatibility issue caused by non -standard HDMI source to determine the connection status of TMDS channel with proper termination voltage setting.

PI3HDMI511 also supports low power mode when no valid signal presents on the TMDS link with the clock detection and Receiver sensing features. The double termination HDMI output can drive long cable connections.

Applications

- Notebook computers
- PC docking station
- Set-Top Box (STB)
- A/V Home entertainment systems
- Dongle, switch boxes
- Long HDMI cables



Ordering Information

Ordering Code	Package Code	Package Description
PI3HDMI511ZLE	ZLE	Pb-free & Green 32-Contact TQFN

Notes:

1. Thermal characteristics can be found on the company web site at www.pericom.com/packaging/
2. "E" = Pb-free and Green, Adding an "X" suffix = Tape/Reel

Related Products

Part Number	Product Description
PI3EQXDP1201	ActiveEye™ DisplayPort 1.2 ReDriver with the built-in AUX listener
PI3VDP1430	ActiveEye™ Dual Mode DisplayPort to HDMI Level Shifter and Re-driver
PI3HDMI412AD	ActiveEye™ 1:2 Active HDMI1.4 compliant Splitter/Re-driver
PI3HDMI336	ActiveEye™ 3:1 Active HDMI1.4 Switch/Re-driver with I2C control and ARC
PI3HDMI611	ActiveEye™ 3.4G HDMI1.4 ReDriver for Sink-side application
PI3HDMI521	ActiveEye™ 2:1 3.4Gbps HDMI1.4 Switch/Re-driver with built-in ARC and Fast Switching support for Sink Application
PI3HDMI621	ActiveEye™ 2:1 3.4Gbps HDMI1.4 Switch/Re-driver with built-in ARC and Fast Switching support for Sink Application
PI3VDP3212	2-Lane DisplayPort1.2 Compliant Switch
PI3VDP12412	4-Lane DisplayPort1.2 Compliant Switch

INFORMATION IN THIS DOCUMENT IS PROVIDED IN CONNECTION WITH PERICOM PRODUCT. NO LICENSE, EXPRESS OR IMPLIED, BY ESTOPPEL OR OTHERWISE, TO ANY INTELLECTUAL PROPERTY RIGHTS IS GRANTED BY THIS DOCUMENT. EXCEPT AS PROVIDED IN PERICOM'S TERMS AND CONDITIONS OF SALE FOR SUCH PRODUCTS INCLUDING LIABILITY OR WARRANTIES RELATING TO FITNESS FOR A PARTICULAR PURPOSE, MERCHANTABILITY, OR INFRINGEMENT OF ANY PATENT, COPYRIGHT OR OTHER INTELLECTUAL PROPERTY RIGHT.

Pericom may make changes to specifications and product descriptions at any time, without notice. Designers must not rely on the absence or characteristics of any features or instructions marked "reserved" or "undefined". Pericom reserves these for future definition and shall have no responsibility whatsoever for conflicts or incompatibilities arising from future changes to them. The products described in this document may contain design defects or errors known as errata which may cause the product to deviate from published specification. Current characterized errata are available on request.

Contact your local Pericom Sales office or your distributor to obtain the latest specifications and before placing your product order.

Copyright 2012 Pericom Corporation. All rights reserved. Pericom and the Pericom logo are trademarks of Pericom Corporation in the U.S. and other countries.