

CZTA94

**SURFACE MOUNT  
HIGH VOLTAGE  
PNP SILICON TRANSISTOR**



**SOT-223 CASE**



[www.centrasemi.com](http://www.centrasemi.com)

**DESCRIPTION:**

The CENTRAL SEMICONDUCTOR CZTA94 type is a surface mount epoxy molded PNP silicon planar epitaxial transistors designed for extremely high voltage applications.

**MARKING: FULL PART NUMBER**

**MAXIMUM RATINGS:** ( $T_A=25^\circ\text{C}$ )

Collector-Base Voltage  
Collector-Emitter Voltage  
Emitter-Base Voltage  
Continuous Collector Current  
Power Dissipation  
Operating and Storage Junction Temperature  
Thermal Resistance

**SYMBOL**

$V_{CBO}$  400  
 $V_{CEO}$  400  
 $V_{EBO}$  6.0  
 $I_C$  300  
 $P_D$  2.0  
 $T_J, T_{stg}$  -65 to +150  
 $\theta_{JA}$  62.5

**UNITS**

V  
V  
V  
mA  
W  
 $^\circ\text{C}$   
 $^\circ\text{C/W}$

**ELECTRICAL CHARACTERISTICS:** ( $T_A=25^\circ\text{C}$  unless otherwise noted)

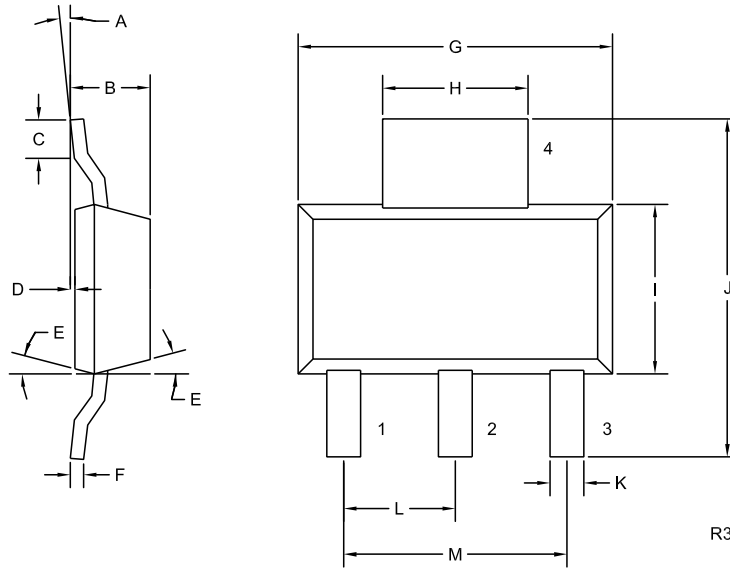
SYMBOL	TEST CONDITIONS	MIN	MAX	UNITS
$I_{CBO}$	$V_{CB}=350\text{V}$		100	nA
$I_{CES}$	$V_{CE}=350\text{V}$		500	nA
$I_{EBO}$	$V_{BE}=4.0\text{V}$		100	nA
$BV_{CBO}$	$I_C=100\mu\text{A}$	400		V
$BV_{CES}$	$I_C=100\mu\text{A}$	400		V
$BV_{CEO}$	$I_C=1.0\text{mA}$	400		V
$BV_{EBO}$	$I_E=10\mu\text{A}$	6.0		V
$V_{CE(SAT)}$	$I_C=1.0\text{mA}, I_B=0.1\text{mA}$		0.40	V
$V_{CE(SAT)}$	$I_C=10\text{mA}, I_B=1.0\text{mA}$		0.50	V
$V_{CE(SAT)}$	$I_C=50\text{mA}, I_B=5.0\text{mA}$		0.75	V
$V_{BE(SAT)}$	$I_C=10\text{mA}, I_B=1.0\text{mA}$		0.75	V
$h_{FE}$	$V_{CE}=10\text{V}, I_C=1.0\text{mA}$	40		
$h_{FE}$	$V_{CE}=10\text{V}, I_C=10\text{mA}$	50	200	
$h_{FE}$	$V_{CE}=10\text{V}, I_C=50\text{mA}$	45		
$h_{FE}$	$V_{CE}=10\text{V}, I_C=100\text{mA}$	20		
$f_T$	$V_{CE}=10\text{V}, I_C=10\text{mA}, f=10\text{MHz}$	20		MHz
$C_{ob}$	$V_{CB}=20\text{V}, I_E=0, f=1.0\text{MHz}$		7.0	pF
$C_{ib}$	$V_{EB}=0.5\text{V}, I_C=0, f=1.0\text{MHz}$		130	pF

R3 (1-March 2010)

**CZTA94**  
**SURFACE MOUNT**  
**HIGH VOLTAGE**  
**PNP SILICON TRANSISTOR**



**SOT-223 CASE - MECHANICAL OUTLINE**



**LEAD CODE:**

- 1) Base
- 2) Collector
- 3) Emitter
- 4) Collector

**MARKING:**

**FULL PART NUMBER**

SYMBOL	INCHES		MILLIMETERS	
	MIN	MAX	MIN	MAX
A	0°	10°	0°	10°
B	0.059	0.071	1.50	1.80
C	0.018	—	0.45	—
D	0.000	0.004	0.00	0.10
E	15°		15°	
F	0.009	0.014	0.23	0.35
G	0.248	0.264	6.30	6.70
H	0.114	0.122	2.90	3.10
I	0.130	0.146	3.30	3.70
J	0.264	0.287	6.70	7.30
K	0.024	0.033	0.60	0.85
L	0.091		2.30	
M	0.181		4.60	

SOT-223 (REV: R3)

R3 (1-March 2010)