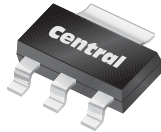


CZT122 NPN
CZT127 PNP

**SURFACE MOUNT
COMPLEMENTARY SILICON
POWER DARLINGTON TRANSISTORS**

**POWER
223™**



SOT-223 CASE



www.centrasemi.com

DESCRIPTION:

The CENTRAL SEMICONDUCTOR CZT122, CZT127 types are Complementary Silicon Power Darlington Transistors manufactured in a surface mount package designed for low speed switching and amplifier applications.

MARKING: FULL PART NUMBER

MAXIMUM RATINGS: ($T_A=25^\circ\text{C}$)

Collector-Base Voltage	V_{CBO}	100	V
Collector-Emitter Voltage	V_{CEO}	100	V
Emitter-Base Voltage	V_{EBO}	5.0	V
Continuous Collector Current	I_C	5.0	A
Peak Collector Current	I_{CM}	8.0	A
Continuous Base Current	I_B	120	mA
Power Dissipation	PD	2.0	W
Operating and Storage Junction Temperature	T_J, T_{stg}	-65 to +150	$^\circ\text{C}$
Thermal Resistance	θ_{JA}	62.5	$^\circ\text{C/W}$

SYMBOL

V_{CBO}	100	V
V_{CEO}	100	V
V_{EBO}	5.0	V
I_C	5.0	A
I_{CM}	8.0	A
I_B	120	mA
PD	2.0	W
T_J, T_{stg}	-65 to +150	$^\circ\text{C}$
θ_{JA}	62.5	$^\circ\text{C/W}$

UNITS

ELECTRICAL CHARACTERISTICS: ($T_A=25^\circ\text{C}$ unless otherwise noted)

SYMBOL	TEST CONDITIONS	MIN	MAX	UNITS
I_{CEO}	$V_{CE}=50\text{V}$		500	μA
I_{CBO}	$V_{CB}=100\text{V}$		200	μA
I_{EBO}	$V_{EB}=5.0\text{V}$		2.0	mA
BV_{CEO}	$I_C=30\text{mA}$	100		V
$V_{CE(SAT)}$	$I_C=3.0\text{A}, I_B=12\text{mA}$		2.0	V
$V_{CE(SAT)}$	$I_C=5.0\text{A}, I_B=20\text{mA}$		4.0	V
$V_{BE(ON)}$	$V_{CE}=3.0\text{V}, I_C=3.0\text{A}$		2.5	V
h_{FE}	$V_{CE}=3.0\text{V}, I_C=500\text{mA}$	1000		
h_{FE}	$V_{CE}=3.0\text{V}, I_C=3.0\text{A}$	1000		
f_T	$V_{CE}=4.0\text{V}, I_C=3.0\text{A}, f=1.0\text{MHz}$	4.0		MHz
C_{ob}	$V_{CB}=10\text{V}, I_E=0, f=1.0\text{MHz}$ (CZT122)		200	pF
C_{ob}	$V_{CB}=10\text{V}, I_E=0, f=1.0\text{MHz}$ (CZT127)		300	pF

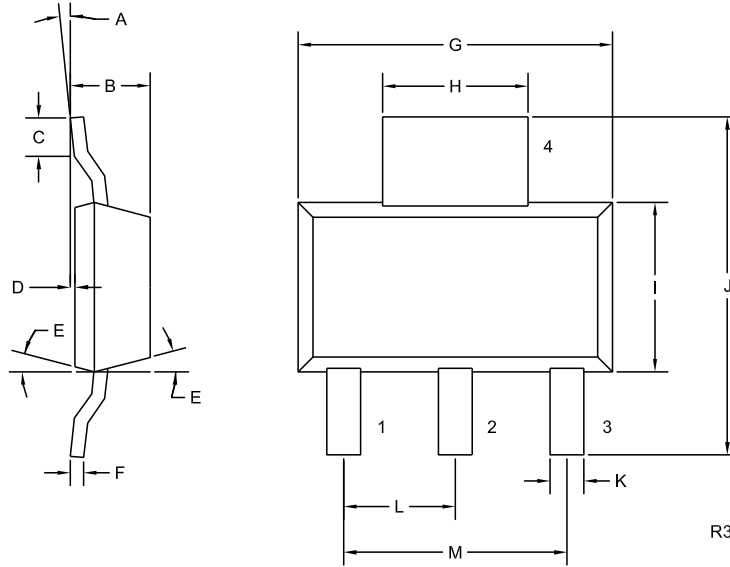
R4 (1-March 2010)

CZT122 NPN
CZT127 PNP



**SURFACE MOUNT
COMPLEMENTARY SILICON
POWER DARLINGTON TRANSISTORS**

SOT-223 CASE - MECHANICAL OUTLINE



LEAD CODE:

- 1) Base
- 2) Collector
- 3) Emitter
- 4) Collector

**MARKING:
FULL PART NUMBER**

SYMBOL	INCHES		MILLIMETERS	
	MIN	MAX	MIN	MAX
A	0°	10°	0°	10°
B	0.059	0.071	1.50	1.80
C	0.018	—	0.45	—
D	0.000	0.004	0.00	0.10
E	15°		15°	
F	0.009	0.014	0.23	0.35
G	0.248	0.264	6.30	6.70
H	0.114	0.122	2.90	3.10
I	0.130	0.146	3.30	3.70
J	0.264	0.287	6.70	7.30
K	0.024	0.033	0.60	0.85
L	0.091		2.30	
M	0.181		4.60	

SOT-223 (REV: R3)

R4 (1-March 2010)