

CMSH1-20ML
CMSH1-40ML

**SURFACE MOUNT
LOW V_F
SILICON SCHOTTKY RECTIFIER
1 AMP, 20 AND 40 VOLTS**



www.centrasemi.com

**LOW
 V_F**



SMA CASE

DESCRIPTION:

The CENTRAL SEMICONDUCTOR CMSH1-20ML Series are Surface Mount Silicon Schottky Rectifiers designed for applications where extremely low forward voltage drop is required. To order devices on 12mm Tape and Reel (5000/13" Reel), add TR13 suffix to part number.

**MARKING CODES: CMSH1-20ML: CS20ML
CMSH1-40ML: CS40ML**

FEATURES:

- Extremely low forward voltage drop
- Superior lot to lot consistency
- High reliability
- "C" bend construction provides strain relief when mounted on pc board
- Low cost

MAXIMUM RATINGS: ($T_A=25^\circ\text{C}$ unless otherwise noted)

	SYMBOL	CMSH1-20ML	CMSH1-40ML	UNITS
Peak Repetitive Reverse Voltage	V_{RRM}	20	40	V
DC Blocking Voltage	V_R	20	40	V
RMS Reverse Voltage	$V_{R(RMS)}$	14	28	V
Average Forward Current	I_O		1.0	A
Peak Forward Surge Current, $t_p=8.3\text{ms}$	I_{FSM}		30	A
Operating and Storage Junction Temperature	T_J, T_{stg}	-65 to +150		$^\circ\text{C}$
Thermal Resistance	θ_{JL}	28		$^\circ\text{C/W}$
Thermal Resistance	θ_{JA}	88		$^\circ\text{C/W}$

ELECTRICAL CHARACTERISTICS: ($T_A=25^\circ\text{C}$ unless otherwise noted)

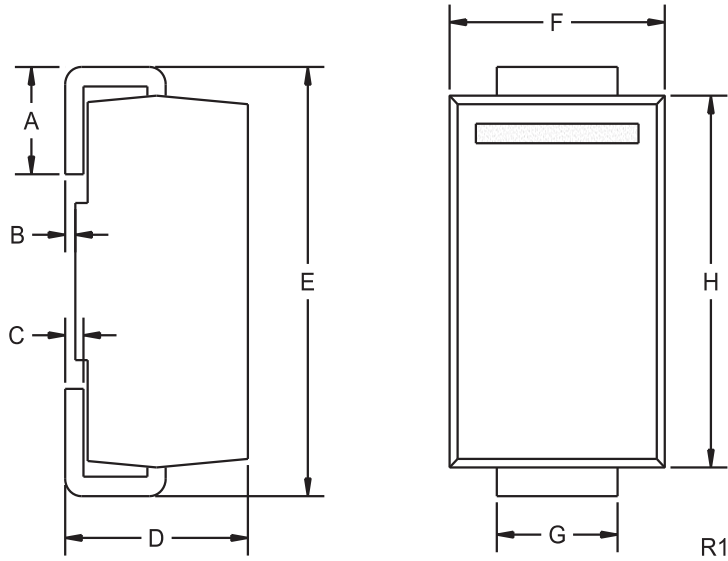
SYMBOL	TEST CONDITIONS	MAX	UNITS
I_R	$V_R=\text{Rated } V_{RRM}$	0.5	mA
I_R	$V_R=\text{Rated } V_{RRM}, T_C=100^\circ\text{C}$	20	mA
V_F	$I_F=1.0\text{A (CMSH1-20ML)}$	0.38	V
V_F	$I_F=1.0\text{A (CMSH1-40ML)}$	0.40	V

CMSH1-20ML
CMSH1-40ML

SURFACE MOUNT
LOW V_F
SILICON SCHOTTKY RECTIFIER
1 AMP, 20 AND 40 VOLTS



SMA CASE - MECHANICAL OUTLINE



DEVICE	MARKING CODE
CMSH1-20ML	CS20ML
CMSH1-40ML	CS40ML

SYMBOL	DIMENSIONS			
	INCHES		MILLIMETERS	
	MIN	MAX	MIN	MAX
A	0.030	0.060	0.76	1.52
B	0.004	0.008	0.10	0.20
C	0.006	0.012	0.15	0.30
D	0.078	0.103	1.98	2.62
E	0.188	0.220	4.78	5.59
F	0.090	0.115	2.29	2.92
G	0.050	0.070	1.27	1.78
H	0.157	0.181	3.99	4.60

SMA (REV: R1)

R4 (8-February 2010)