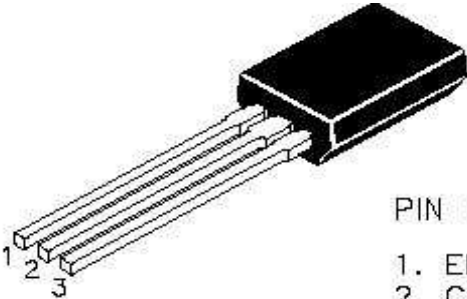


SILICON PLANAR EPITAXIAL TRANSISTORS

CSAL928A PNP
CSCL2328A NPN

TO-92L
Plastic Package



PIN CONFIGURATION:—

1. EMITTER
2. COLLECTOR
3. BASE

For use in Audio Power Amplifier

ABSOLUTE MAXIMUM RATINGS

DESCRIPTION	SYMBOL	VALUE	UNITS
Collector Base Voltage	V_{CBO}	30	V
Collector Emitter Voltage	V_{CEO}	30	V
Emitter Base Voltage	V_{EBO}	5.0	V
Collector Current	I_C	2.0	A
Collector Power Dissipation @ $T_a=25^\circ\text{C}$	P_C	1.0	W
Junction Temperature	T_j	150	$^\circ\text{C}$
Storage Temperature	T_{stg}	- 55 to +150	$^\circ\text{C}$

ELECTRICAL CHARACTERISTICS ($T_a=25^\circ\text{C}$ unless specified otherwise)

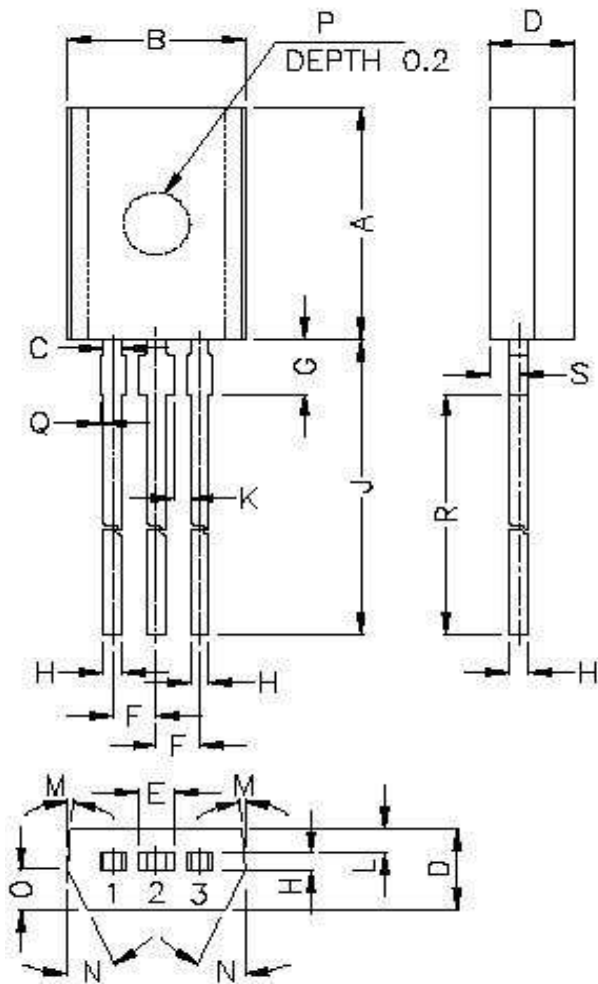
DESCRIPTION	SYMBOL	TEST CONDITION	MIN	TYP	MAX	UNITS
Collector Base Voltage	V_{CBO}	$I_C=100\mu\text{A}, I_E=0$	30			V
Collector Emitter Voltage	V_{CEO}	$I_C=1\text{mA}, I_B=0$	30			V
Emitter Base Voltage	V_{EBO}	$I_E=1\text{mA}, I_C=0$	5			V
Collector Cut Off Current	I_{CBO}	$V_{CB}=30\text{V}, I_E=0$			0.1	μA
Emitter Cut Off Current	I_{EBO}	$V_{EB}=5\text{V}, I_C=0$			0.1	μA
DC Current Gain	$*h_{FE}$	$V_{CE}=2\text{V}, I_C=500\text{mA}$	100		320	
Base Emitter On Voltage	$*V_{BE(on)}$	$V_{CE}=2\text{V}, I_C=500\text{mA}$			1.0	V
Collector Emitter Saturation Voltage	$*V_{CE(sat)}$	$I_C=1.5\text{A}, I_B=30\text{mA}$			2.0	V
Transition Frequency	f_T	$I_C=500\text{mA}, V_{CE}=2\text{V}$		120		MHz
Output Capacitance	C_{ob}	$I_E=0, V_{CB}=10\text{V}, f=1\text{MHz}$				
			NPN		30	pF
			PNP		48	pF

h_{FE} Classification	O : 100 - 200 ,	Y : 160 - 320
-------------------------	------------------------	----------------------

*Pulse Test: Pulse Width $\leq 300\mu\text{s}$, Duty Cycle $\leq 2\%$

CSAL928A_CSCL2328ARev300705E

PACKAGE TO-92L



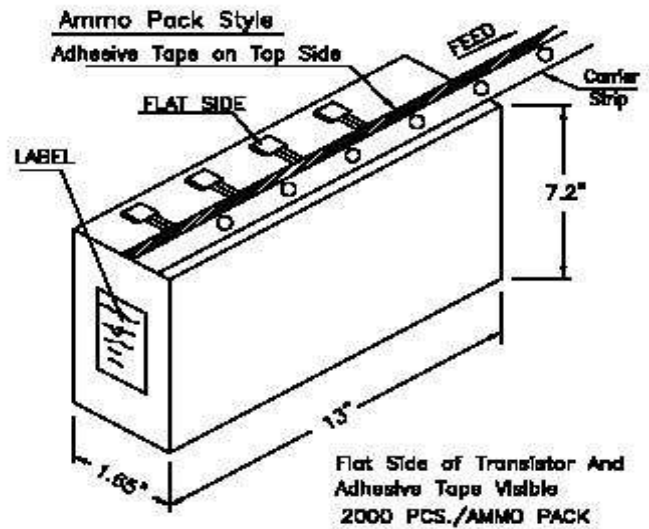
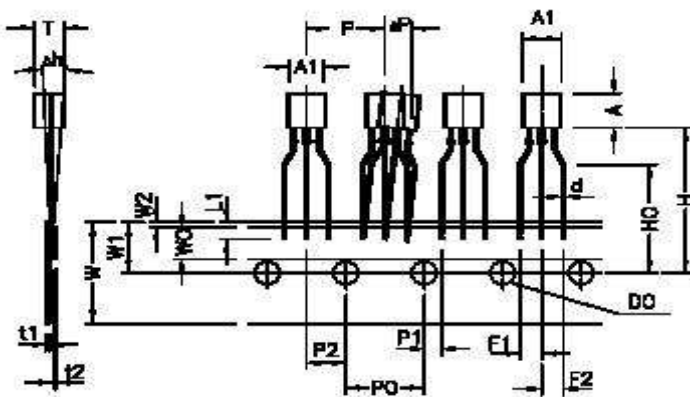
DIMENSIONS			
REF DIM	MIN	NOM	MAX
A	—	—	7.20
B	—	—	5.20
C	—	—	0.60
D	—	—	2.50
E	—	—	1.15
F	—	1.27	—
G	—	—	1.70
H	—	—	0.55
J	13.50	—	14.50
K	0.35	—	—
L	0.65	—	0.85
M	—	4°	—
N	—	25°	—
O	—	1.25	—
P	—	∅1.50	—
Q	—	—	0.10
R	12.00	—	13.00
S	—	1.00	—

PIN CONFIGURATION:—

1. EMITTER
2. COLLECTOR
3. BASE

ALL DIMENSIONS ARE IN M.M.

TO-92L TRANSISTOR ON TAPE AND AMMO PACK



ITEM	SYMBOL	VALUE & TOLERANCE
BODY WIDTH	A1	4.9 ±0.2
BODY HEIGHT	A	8.0 ±0.2
BODY THICKNESS	T	3.9 ±0.2
LEAD WIRE DIAMETER	d	0.45 ±0.05
PITCH OF COMPONENT	P	12.7 ±0.3
FEED HOLE PITCH	PO	12.7 ±0.2
HOLE CENTER TO COMPONENT CENTER	P2	6.35 ±0.3
LEAD TO LEAD DISTANCE	F1,F2	2.5 ±0.3
COMPONENT ALIGNMENT,F-R	Δh	0 ±1.0
TYPE WIDTH	W	18.0 +1.0,-0.5
HOLE DOWN TAPE WIDTH	WC	6.0 ±0.5
HOLE POSITION	W1	8.0 ±0.5
HOLE DOWN TAPE POSITION	W2	1.0 MAX.
HEIGHT OF COMPONENT FROM TAPE CENTER	H	19.0 +2.0,-0
LEAD WIRE CLINCH HEIGHT	HO	16.0 ±0.5
LEAD WIRE (TAPE PORTION)	L1	2.5 MIN
FEED HOLE DIAMETER	DO	4.0 ±0.2
TAPED LEAD THICKNESS	t1	0.4 ±0.05
CARRIER TAPE THICKNESS	t2	0.2 ±0.05
POSITION OF HOLE	P1	3.85 ±0.3
COMPONENT ALIGNMENT	ΔP	0 ±1.0

NOTES:-

1. MAXIMUM ALIGNMENT DEVIATION BETWEEN LEADS NOT TO BE GREATER THAN 0.2 mm
2. MAXIMUM NON-CUMULATIVE VARIATION BETWEEN TAPE FEED HOLES SHALL NOT EXCEED 1 mm IN 20 PITCHES.
3. HOLDDOWN TAPE NOT TO EXCEED BEYOND THE EDGE(S) OF CARRIER TAPE AND THERE SHALL BE NO EXPOSURE OF ADHESIVE.
4. NO MORE THAN 3 CONSECUTIVE MISSING COMPONENTS IS PERMITTED.
5. A TAPE TRAILER, HAVING AT LEAST THREE FEED HOLES IS REQUIRED AFTER THE LAST COMPONENT.
6. SPIKES SHALL NOT INTERFERE WITH THE SPROCKET FEED HOLES.

Component Disposal Instructions

1. CDIL Semiconductor Devices are RoHS compliant, customers are requested to please dispose as per prevailing Environmental Legislation of their Country.
2. In Europe, please dispose as per EU Directive 2002/96/EC on Waste Electrical and Electronic Equipment (WEEE).

Disclaimer

The product information and the selection guides facilitate selection of the CDIL's Semiconductor Device(s) best suited for application in your product(s) as per your requirement. It is recommended that you completely review our Data Sheet(s) so as to confirm that the Device(s) meet functionality parameters for your application. The information furnished in the Data Sheet and on the CDIL Web Site/CD are believed to be accurate and reliable. CDIL however, does not assume responsibility for inaccuracies or incomplete information. Furthermore, CDIL does not assume liability whatsoever, arising out of the application or use of any CDIL product; neither does it convey any license under its patent rights nor rights of others. These products are not designed for use in life saving/support appliances or systems. CDIL customers selling these products (either as individual Semiconductor Devices or incorporated in their end products), in any life saving/support appliances or systems or applications do so at their own risk and CDIL will not be responsible for any damages resulting from such sale(s).

CDIL strives for continuous improvement and reserves the right to change the specifications of its products without prior notice.



CDIL is a registered Trademark of
Continental Device India Limited

C-120 Naraina Industrial Area, New Delhi 110 028, India.

Telephone + 91-11-2579 6150, 4141 1112 Fax + 91-11-2579 5290, 4141 1119

email@cdil.com, www.cdilsemi.com