

SURFACE MOUNT SCHOTTKY BARRIER RECTIFIER

SK32 - SK310

**DO-214AB (SMC)
Surface Mount Package**



Polarity: Colour band denotes Cathode end

MAXIMUM RATINGS AND ELECTRICAL CHARACTERISTICS

(Rating at 25°C Ambient Temperature unless specified otherwise. Single Phase, half wave 60Hz, Resistive or Inductive Load, for Capacitive Load current derate by 20%)

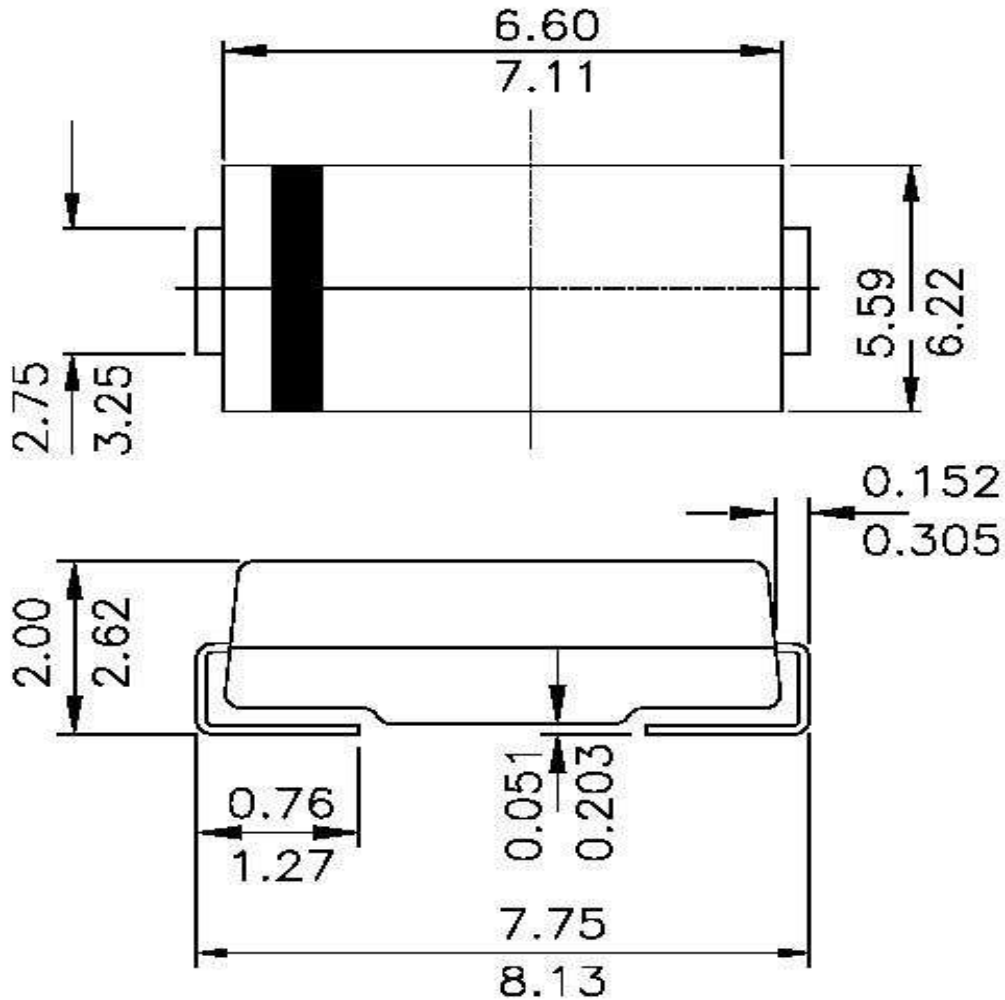
DESCRIPTION	SYMBOL	SK32	SK33	SK34	SK35	SK36	SK38	SK310	UNIT	
Maximum Peak Repetitive Reverse Voltage	V_{RRM}	20	30	40	50	60	80	100	V	
Maximum RMS Voltage	V_{RMS}	14	21	28	35	42	56	70	V	
Maximum DC Blocking Voltage	V_{DC}	20	30	40	50	60	80	100	V	
Maximum Average Forward Rectified Current at $T_L=75^\circ\text{C}$	$I_{(AV)}$	3.0							A	
Peak Forward Surge Current 8.3ms single half sine-wave superimposed on rated load	I_{FSM}	100							A	
Maximum Instantaneous Forward Voltage at $I_F=3.0A$	V_F	0.55		0.7		0.85		V		
Maximum DC Reverse Current $T_a=25^\circ\text{C}$ at Rated DC Blocking Voltage $T_a=100^\circ\text{C}$	I_R	20			0.5		10		mA	
Typical Junction Capacitance	$*C_J$	500			300			pF		
Thermal Resistance Junction to Ambient	$**R_{th(j-a)}$	TYP55							$^\circ\text{C/W}$	
Operating Junction Temperature Range	T_j	- 65 to +125					- 65 to +150			$^\circ\text{C}$
Storage Temperature Range	T_{stg}	- 65 to +150							$^\circ\text{C}$	

*Measured at 1MHz and applied reverse voltage of 4.0V D.C

** Mounted on P.C.B with "0.2 x 0.2" (5 x 5mm) Copper Pad Areas

SK32_SK310Rev_1 300310E

PACKAGE DO-214AB (SMC)



ALL DIMENSIONS ARE IN mm
 PACKING:— 1.8K / REEL(7" 178mm)
 PACKING:— 7.5K / REEL(13" 330mm)

Component Disposal Instructions

1. CDIL Semiconductor Devices are RoHS compliant, customers are requested to please dispose as per prevailing Environmental Legislation of their Country.
2. In Europe, please dispose as per EU Directive 2002/96/EC on Waste Electrical and Electronic Equipment (WEEE).

Disclaimer

The product information and the selection guides facilitate selection of the CDIL's Semiconductor Device(s) best suited for application in your product(s) as per your requirement. It is recommended that you completely review our Data Sheet(s) so as to confirm that the Device(s) meet functionality parameters for your application. The information furnished in the Data Sheet and on the CDIL Web Site/CD are believed to be accurate and reliable. CDIL however, does not assume responsibility for inaccuracies or incomplete information. Furthermore, CDIL does not assume liability whatsoever, arising out of the application or use of any CDIL product; neither does it convey any license under its patent rights nor rights of others. These products are not designed for use in life saving/support appliances or systems. CDIL customers selling these products (either as individual Semiconductor Devices or incorporated in their end products), in any life saving/support appliances or systems or applications do so at their own risk and CDIL will not be responsible for any damages resulting from such sale(s).

CDIL strives for continuous improvement and reserves the right to change the specifications of its products without prior notice.



CDIL is a registered Trademark of
Continental Device India Limited

C-120 Naraina Industrial Area, New Delhi 110 028, India.

Telephone + 91-11-2579 6150, 4141 1112 Fax + 91-11-2579 5290, 4141 1119

email@cdil.com www.cdilsemi.com