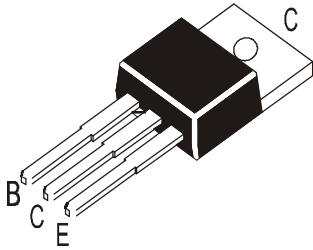


PLASTIC POWER TRANSISTORS

TIP29, A, B, C NPN
TIP30, A, B, C PNP



TO-220
Plastic Package

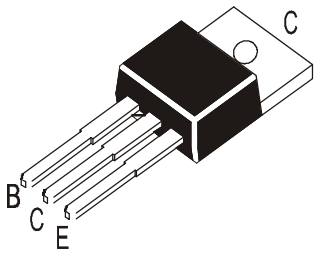
Complementary Silicon Transistors intended for a wide variety of Switching and Amplifier Applications, Series and Shunt Regulators, Driver and Output stages of Hi-Fi Amplifiers

ABSOLUTE MAXIMUM RATINGS ($T_a=25^\circ\text{C}$)

DESCRIPTION	SYMBOL	TIP29	TIP29A	TIP29B	TIP29C	UNIT
		TIP30	TIP30A	TIP30B	TIP30C	
Collector Emitter (sus) Voltage	V_{CEO}	40	60	80	100	V
Collector Base Voltage	V_{CBO}	40	60	80	100	V
Emitter Base Voltage	V_{EBO}	5.0				V
Collector Current Continuous	I_C	1.0				A
Collector Current Peak	I_{CM}	3.0				A
Base Current	I_B	0.4				A
Power Dissipation upto $T_c=25^\circ\text{C}$	P_D	30				W
Power Dissipation upto $T_a=25^\circ\text{C}$ Derate above 25°C	P_D	2.0				W
		16				mW/ $^\circ\text{C}$
Storage Temperature	T_{stg}	- 65 to +150				$^\circ\text{C}$
Junction Temperature	T_j	150				$^\circ\text{C}$

THERMAL RESISTANCE

Junction to Case	$R_{th(j-c)}$	4.167	$^\circ\text{C/W}$
Junction to Ambient in free air	$R_{th(j-a)}$	62.5	$^\circ\text{C/W}$



ELECTRICAL CHARACTERISTICS (T_c=25°C unless specified otherwise)

DESCRIPTION	SYMBOL	TEST CONDITION	MIN	MAX	UNIT
Collector Emitter Voltage	*V _{CEO(sus)}	I _C =30mA, I _B =0			
		TIP29/30	40		V
		TIP29A/30A	60		V
		TIP29B/30B	80		V
		TIP29C/30C	100		V
Collector Cut off Current	I _{CEO}	V _{CE} =30V, I _B =0		0.3	mA
		TIP29, A / 30, A			
		V _{CE} =60V, I _B =0		0.3	mA
		TIP29B, C / 30B, C			
Collector Cut off Current	I _{CES}	V _{CE} =V _{CEO(max)} , V _{BE} =0		0.2	mA
Emitter Cut off Current	I _{EBO}	V _{EB} =5V, I _C =0		1.0	mA
DC Current Gain	*h _{FE}	I _C =0.2A, V _{CE} =4V	40		
		I _C =1A, V _{CE} =4V	15	75	
Collector Emitter Saturation Voltage	*V _{CE(sat)}	I _C =1A, I _B =125mA		0.7	V
Base Emitter on Voltage	*V _{BE(on)}	I _C =1A, V _{CE} =4V		1.3	V

*Pulse Test : Pulse width ≤300μs, Duty Cycle ≤2%

DYNAMIC CHARACTERISTIC

DESCRIPTION	SYMBOL	TEST CONDITION	MIN	MAX	UNIT
Small Signal Current Gain	h _{fe}	I _C =0.2A, V _{CE} =10V, f=1KHz	20		
Transition Frequency	f _T	I _C =0.2A, V _{CE} =10V, f=1MHz	3		MHz

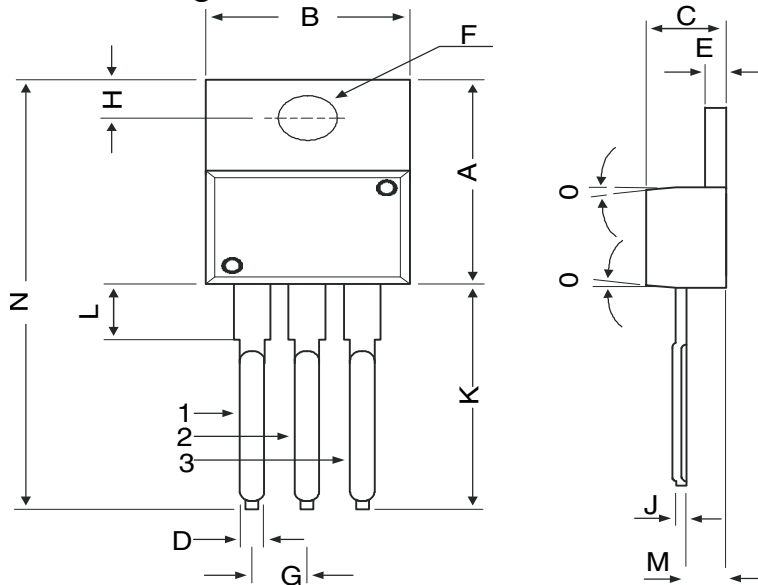
SWITCHING CHARACTERISTICS

DESCRIPTION	SYMBOL	TEST CONDITION	TYP	UNIT
Turn On Time	t _{on}	V _{CC} =30V, I _C =2A, I _{B1} =I _{B2} =0.2A	0.43	μs
Turn Off Time	t _{off}		1.0	μs

TIP29, A, B, C NPN
TIP30, A, B, C PNP

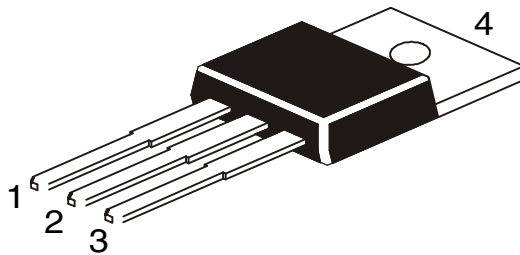
TO-220
Plastic Package

TO-220 Plastic Package



DIM	MIN	MAX
A	14.42	16.51
B	9.63	10.67
C	3.56	4.83
D	—	0.90
E	1.15	1.40
F	3.75	3.88
G	2.29	2.79
H	2.54	3.43
J	—	0.56
K	12.70	14.73
L	2.80	4.07
M	2.03	2.92
N	—	31.24
O	7 DEG	

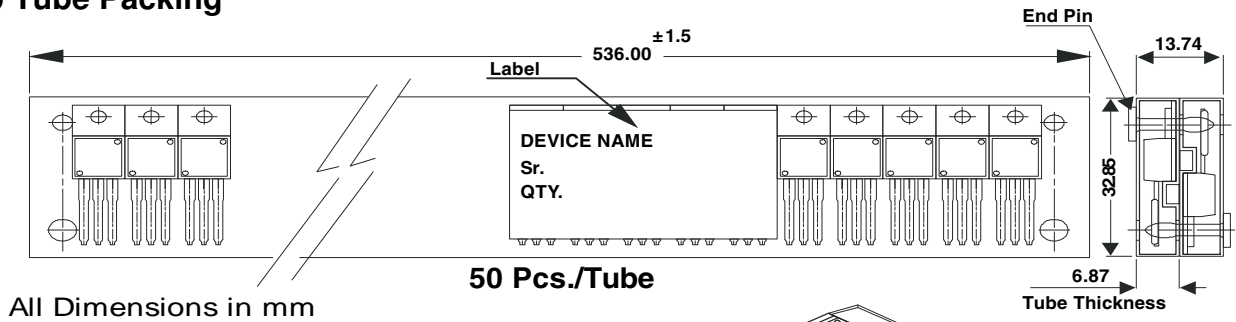
All diminsions in mm.



Pin Configuration

1. Base
2. Collector
3. Emitter
4. Collector

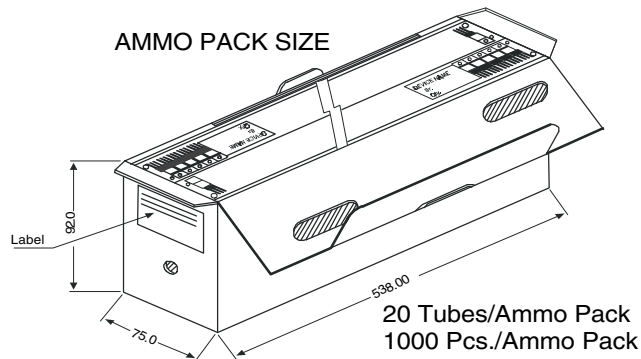
TO-220 Tube Packing



All Dimensions in mm

50 Pcs./Tube

AMMO PACK SIZE



20 Tubes/Ammo Pack
1000 Pcs./Ammo Pack

Packing Detail

PACKAGE	STANDARD PACK		INNER CARTON BOX		OUTER CARTON BOX		
	Details	Net Weight/Qty	Size	Qty	Size	Qty	Gr Wt
TO-220	200 pcs/polybag	396 gm/200 pcs	3" x 7.5" x 7.5"	1.0K	17" x 15" x 13.5"	16.0K	36 kgs
	50 pcs/tube	120 gm/50 pcs	3.5" x 3.7" x 21.5"	1.0K	19" x 19" x 19"	10.0K	29 kgs

Disclaimer

The product information and the selection guides facilitate selection of the CDIL's Discrete Semiconductor Device(s) best suited for application in your product(s) as per your requirement. It is recommended that you completely review our Data Sheet(s) so as to confirm that the Device(s) meet functionality parameters for your application. The information furnished in the Data Sheet and on the CDIL Web Site/CD are believed to be accurate and reliable. CDIL however, does not assume responsibility for inaccuracies or incomplete information. Furthermore, CDIL does not assume liability whatsoever, arising out of the application or use of any CDIL product; neither does it convey any license under its patent rights nor rights of others. These products are not designed for use in life saving/support appliances or systems. CDIL customers selling these products (either as individual Discrete Semiconductor Devices or incorporated in their end products), in any life saving/support appliances or systems or applications do so at their own risk and CDIL will not be responsible for any damages resulting from such sale(s).

CDIL strives for continuous improvement and reserves the right to change the specifications of its products without prior notice.



CDIL is a registered Trademark of
Continental Device India Limited

C-120 Naraina Industrial Area, New Delhi 110 028, India.
Telephone + 91-11-2579 6150, 5141 1112 Fax + 91-11-2579 5290, 5141 1119
email@cdil.com www.cdilsemi.com