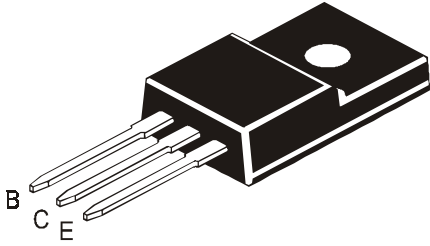


SILICON PLANAR POWER TRANSISTORS

CJF15030 NPN
CJF15031 PNP



TO-220FP Fully Isolated
Plastic Package

Designed for General Purpose Amplifier and Switching Applications.

ABSOLUTE MAXIMUM RATINGS.

DESCRIPTION	SYMBOL	VALUE	UNIT
Collector Base Voltage	V_{CBO}	150	V
Collector Emitter Voltage	V_{CEO}	150	V
Emitter Base Voltage	V_{EBO}	5	V
RMS Isolation Voltage (for 1sec,R.H. <30%, $T_A=25^\circ\text{C}$)	(1) V_{ISOL} (a)	3500	V_{RMS}
	(b)	1500	V_{RMS}
Collector Current - Continuous	I_C	8	A
Collector Current - Peak	I_C	16	A
Base Current	I_B	2	A
Total Power Dissipation @ $T_c=25^\circ\text{C}$	$P_{D^{**}}$	36	W
Derate Above 25°C		0.29	W/ $^\circ\text{C}$
Total Power Dissipation @ $T_a=25^\circ\text{C}$	P_D	2	W
Derate Above 25°C		0.016	W/ $^\circ\text{C}$
Operating and Storage Junction Temperature Range	T_j, T_{stg}	- 65 to +150	$^\circ\text{C}$

THERMAL RESISTANCE

From Junction to Ambient	$R_{th(j-a)}$	62.5	$^\circ\text{C}/\text{W}$
From Junction to Case	$R_{th(j-c)**}$	3.5	$^\circ\text{C}/\text{W}$
Lead Temperature for Soldering Purpose	T_L	260	$^\circ\text{C}$

**Measurement made with thermocouple contacting the bottom insulated mounting surface (in a location beneath the die), the device mounted on a heatsink with thermal grease and a mounting torque of ≥ 6 in.lbs.

(1) RMS Isolation Voltage : (a) 3500 V_{RMS} with Package in Clip Mounting Position (b) 1500 V_{RMS} with Package in Screw Mounting Position (for 1sec, R.H.<30% , $T_a=25^\circ\text{C}$; Pulse Test: Pulse Width $\leq 300\mu\text{s}$, Duty Cycle $\leq 2\%$)

ELECTRICAL CHARACTERISTICS ($T_c=25^\circ\text{C}$ unless specified otherwise)

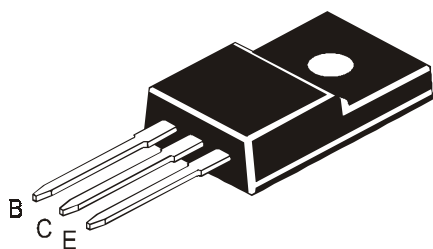
DESCRIPTION	SYMBOL	TEST CONDITION	MIN	MAX	UNIT
Collector Emitter sustaining Voltage	$V_{CEO(sus)}$ *	$I_C=10\text{mA}, I_B=0$	150		V
Collector Cut off Current	I_{CBO}	$V_{CB}=150\text{V}, I_E=0$		10	μA
	I_{CEO}	$V_{CE}=150\text{V}, I_B=0$		10	μA
Emitter Cut off Current	I_{EBO}	$V_{EB}=5\text{V}, I_C=0$		10	μA

SILICON PLANAR POWER TRANSISTORS

CJF15030 NPN

CJF15031 PNP

TO-220FP Fully Isolated
Plastic Package



ELECTRICAL CHARACTERISTICS (T_c=25°C unless specified otherwise)

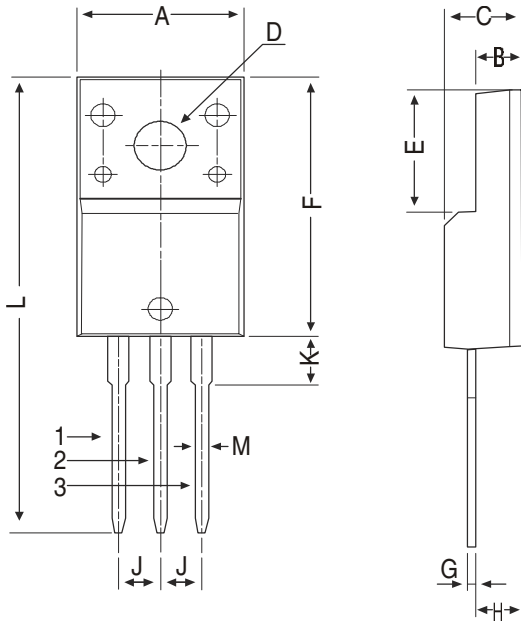
DESCRIPTION	SYMBOL	TEST CONDITION	MIN	MAX	UNIT
DC Current Gain	h _{FE} *	I _C =0.1A, V _{CE} =2V	40		
		I _C =2.0A, V _{CE} =2V	40		
		I _C =3.0A, V _{CE} =2V	40		
		I _C =4.0A, V _{CE} =2V	20		
Collector Emitter Saturation Voltage	V _{CE(Sat)} *	I _C =1A, I _B =0.1A		0.5	V
Base Emitter on Voltage	V _{BE(on)} *	I _C =1.0A, V _{CE} =2V		1.0	V
<u>DYNAMIC CHARACTERISTICS</u>					
Current Gain - Bandwidth Product **	f _T	I _C =500mA, V _{CE} =10V f _{test} =10MHz	30		MHz

* Pulse Test: Pulse Width ≤ 300μs, Duty Cycle ≤ 2 %

** f_T = |h_{fe}| f_{test}

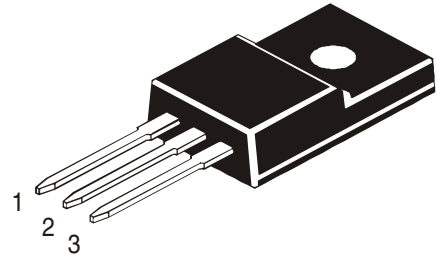
TO-220FP Fully Isolated Plastic Package

TO-220FP Fully Isolated Plastic Package



DIM	MIN	MAX
A	9.80	10.36
B	2.50	3.00
C	4.30	4.90
D	3.10	3.40
E	6.50	8.20
F	14.80	17.27
G	0.40	0.70
H	2.50	2.96
J	2.34	2.74
K	—	4.70
L	—	30.05
M	0.6	0.90

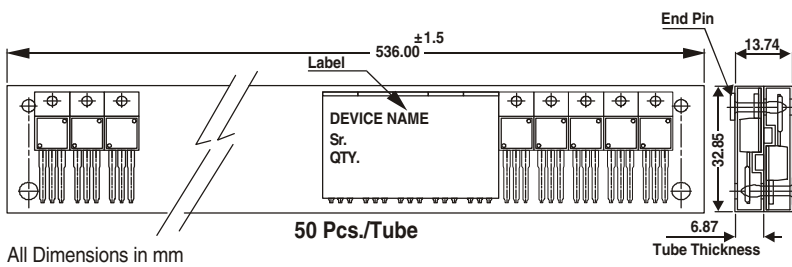
All dimensions in mm.



Pin Configuration

1. Base
2. Collector
3. Emitter

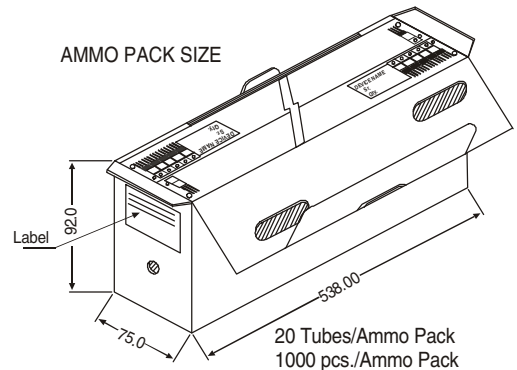
TO-220 FP Tube Packing



All Dimensions in mm

50 Pcs./Tube

AMMO PACK SIZE



20 Tubes/Ammo Pack
1000 pcs./Ammo Pack

Packing Detail

PACKAGE	STANDARD PACK		INNER CARTON BOX		OUTER CARTON BOX		
	Details	Net Weight/Qty	Size	Qty	Size	Qty	Gr Wt
TO-220FP	200 pcs/polybag	396 gm/200 pcs	3" x 7.5" x 7.5"	1K	17" x 15" x 13.5"	16K	36 kgs
	50 pcs/tube	135 gm/50 pcs	3.5" x 3.7" x 21.5"	1K	19" x 19" x 19"	10K	28 kgs

**TO-220FP Fully Isolated
Plastic Package****Component Disposal Instructions**

1. CDIL Semiconductor Devices are RoHS compliant, customers are requested to please dispose as per prevailing Environmental Legislation of their Country.
2. In Europe, please dispose as per EU Directive 2002/96/EC on Waste Electrical and Electronic Equipment (WEEE).

Disclaimer

The product information and the selection guides facilitate selection of the CDIL's Semiconductor Device(s) best suited for application in your product(s) as per your requirement. It is recommended that you completely review our Data Sheet(s) so as to confirm that the Device(s) meet functionality parameters for your application. The information furnished in the Data Sheet and on the CDIL Web Site/CD is believed to be accurate and reliable. CDIL however, does not assume responsibility for inaccuracies or incomplete information. Furthermore, CDIL does not assume liability whatsoever, arising out of the application or use of any CDIL product; neither does it convey any license under its patent rights nor rights of others. These products are not designed for use in life saving/support appliances or systems. CDIL customers selling these products (either as individual Semiconductor Devices or incorporated in their end products), in any life saving/support appliances or systems or applications do so at their own risk and CDIL will not be responsible for any damages resulting from such sale(s).

CDIL strives for continuous improvement and reserves the right to change the specifications of its products without prior notice.



CDIL is a registered Trademark of

Continental Device India Limited

C-120 Naraina Industrial Area, New Delhi 110 028, India.

Telephone + 91-11-2579 6150, 4141 1112 Fax + 91-11-2579 5290, 4141 1119

email@cdil.com www.cdilsemi.com