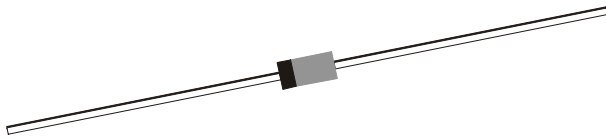


SILICON GENERAL PURPOSE DIODE AXIAL LEAD

**CT282 TO CT287
40V to 325V, 0.2A**

500mW

**DO- 35
Glass Axial Package**



FEATURES

General IPurpose , Industrial, Military And Space Application , Hermetically Sealed Glass With A Stud On Either Side Of The Glass Passivated Chip Provides Excellent Stability Extremely Low Leakave And Very High Reliability.

ABSOLUTE MAXIMUM RATINGS (Ta=25°C unless specified otherwise)

DESCRIPTION	SYMBOL	CT	CT	CT	CT	CT	CT	UNIT
		282	283	284	285	286	287	
Peak Repetitive Reverse Voltage	V_{RRM}	40	80	150	200	250	325	V
Reverses Voltage (Continuous)	V_R	36	70	130	180	225	300	V
Repetitive Peak Forward Current	I_{FM}			650				mA
Non Repetitive Peak Surge Current (8.3ms)	I_{FSM}			2				A
Average Rectified Current	I_O^*							
		$T_A = 25^\circ C$				200		mA
		$T_A = 150^\circ C$				50		mA
Operating And Storage Junction Temperature Range	T_j, T_{stg}						-65 to +200	°C
Power Dissipation	P_D						500	mW

Derate At 1.2mA DC/°C Between Ambient Temperatures of 25° C and 150°C
Derate At 1.0mA DC/°C Between Ambient Temperatures of 150° C and 200°C

ELECTRICAL CHARACTERISTICS (Ta=25°C unless specified otherwise)

DESCRIPTION	SYMBOL	TEST CONDITION	VALUE	UNIT	
Forward Voltage	V_F	$I_F=100mA$ DC, $P_W=10ms$ Duty Cycle 2% Max	<1	V	
Reverse Current	I_R	$V_R=V_R$ (Continuous)	<25	nA	
		$V_R=V_R$ (Continuous), $T_A =150^\circ C$	<5	µA	
Breakdown Voltage	V_{BR}	$I_R=100\mu A$			
			CT282	>40	V
			CT283	>80	V
			CT284	>150	V
			CT285	>200	V
			CT286	>250	V
			CT287	>325	V

DESCRIPTION	SYMBOL	TEST CONDITION	VALUE	UNIT
Diode Capacitance	C_d	$V_R=10V$		
	ALL	typ	2	pF

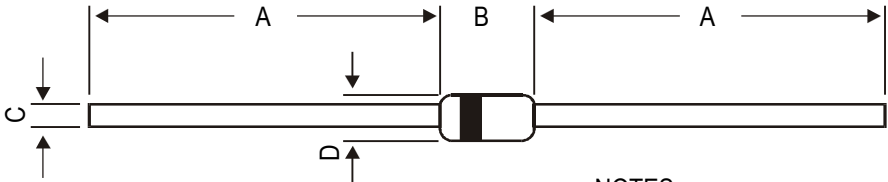
* Pulse Width ≤ 300µs, Duty Cycle ≤ 2%

**CT282 TO CT287
40V to 325V, 0.2A**

500mW

**DO- 35
Glass Axial Package**

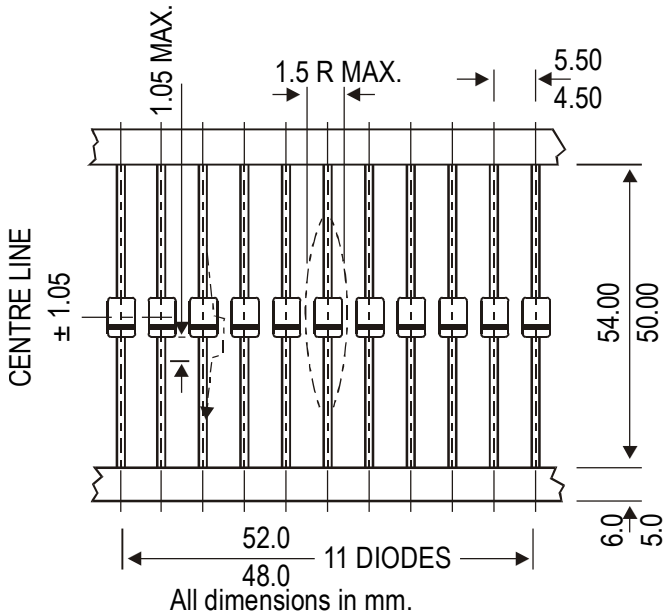
DO-35 Glass Axial Package



DIM	MIN	MAX
A	25.40	—
B	3.03	4.44
C	0.46	0.56
D	1.52	2.29

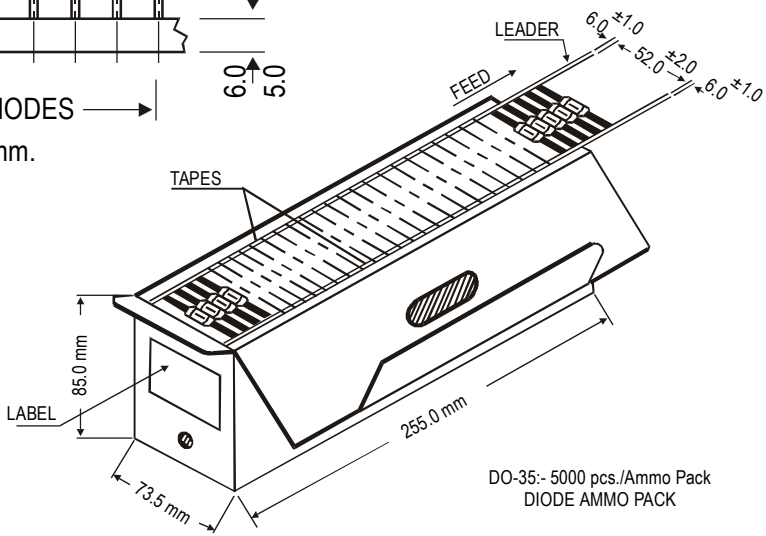
- NOTES
 1. Cathode is marked by Band.
 2. All dimensions are in mm.

DO-35, 52mm Taping Specification



52 mm Taping Specification

1. T & A indicates Axial Tape & Ammo packing (52 mm Tape Spacing).
2. 300 mm (min) leader tape on every spool.
3. No. of empty places allowed 0.25% without consecutive empty places.
4. Ends of leads shall preferably not protrude beyond the tapes.
5. Components shall be held sufficiently in the tape or tapes so that they can not come free in normal handling.



DO-35:- 5000 pcs./Ammo Pack
DIODE AMMO PACK

On request also available in 26 mm Tape and Ammo Pack

Packing Detail

PACKAGE	STANDARD PACK		INNER CARTON BOX		OUTER CARTON BOX		
	Details	Net Weight/Qty	Size	Qty	Size	Qty	Gr Wt
DO-35 T&A	5K/ammo box	0.88 kg/5K pcs	10" x 3.5" x 3.5"	5K	12.7" x 12.7" x 20"	125K	25 kgs

Disclaimer

The product information and the selection guides facilitate selection of the CDIL's Discrete Semiconductor Device(s) best suited for application in your product(s) as per your requirement. It is recommended that you completely review our Data Sheet(s) so as to confirm that the Device(s) meet functionality parameters for your application. The information furnished in the Data Sheet and on the CDIL Web Site/CD is believed to be accurate and reliable. CDIL however, does not assume responsibility for inaccuracies or incomplete information. Furthermore, CDIL does not assume liability whatsoever, arising out of the application or use of any CDIL product; neither does it convey any license under its patent rights nor rights of others. These products are not designed for use in life saving/support appliances or systems. CDIL customers selling these products (either as individual Discrete Semiconductor Devices or incorporated in their end products), in any life saving/support appliances or systems or applications do so at their own risk and CDIL will not be responsible for any damages resulting from such sale(s).

CDIL strives for continuous improvement and reserves the right to change the specifications of its products without prior notice.



CDIL is a registered Trademark of

Continental Device India Limited

C-120 Naraina Industrial Area, New Delhi 110 028, India.

Telephone + 91-11-579 6150 Fax + 91-11-579 9569, 579 5290

e-mail sales@cdil.com www.cdil.com