

SURFACE MOUNT SWITCHING DIODES

BAV19W, BAV20W, BAV21W

**SOD-123
Formed SMD Package**



Marking: As indicated below with cathode band

Marking

BAV19W - WY
BAV20W - WZ
BAV21W - JX

Fast Switching Speed Diodes

ABSOLUTE MAXIMUM RATINGS (T_a=25°C)

DESCRIPTION	SYMBOL	BAV19W	BAV20W	BAV21W	UNIT
Non Repetitive Peak Reverse Voltage	V _{RM}	120	200	250	V
Repetitive Peak Reverse Voltage	V _{RRM}	100	150	200	V
Working Peak Reverse Voltage	V _{RWM}	100	150	200	V
RMS Reverse Voltage	V _{R (RMS)}	71	106	141	V
DC Blocking Voltage	V _R	100	150	200	V
Average Rectified Output Current	I _O	200			mA
Forward Continuous Current	I _{FM}	400			mA
Repetitive Peak Forward Surge Current	I _{FRM}	625			mA
Non Repetitive Peak Forward Surge Current	I _{FSM}				
		at t=1s	0.5	A	
Power Dissipation	P _D	250			mW
Junction Temperature	T _j	- 65 to +150			°C
Storage Temperature Range	T _{stg}	- 65 to +150			°C

THERMAL RESISTANCE

Junction to Ambient in free air	R _{th(j-a)}	500	°C/W
---------------------------------	----------------------	-----	------

ELECTRICAL CHARACTERISTICS (T_a=25° C unless specified otherwise)

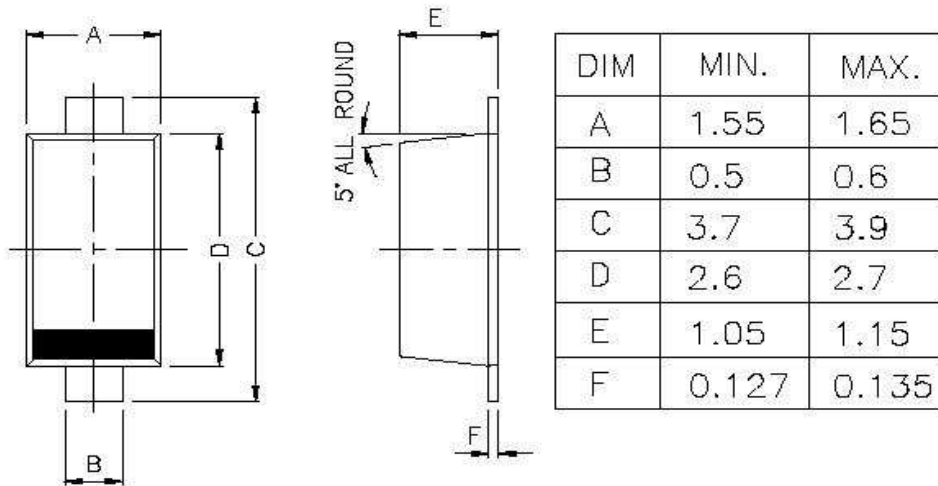
DESCRIPTION	SYMBOL	TEST CONDITION	Min	Typ	Max	UNIT
Reverse Breakdown Voltage	V _{(BR)R}	at I _R =100µA BAV19W BAV20W BAV21W	120			V
			200			V
			250			V
Reverse Current	I _R	at Rated DC Blocking Voltage at T _j =25°C at T _j =100°C			100	nA
					15	µA
Forward Voltage	V _F	I _F =100mA I _F =200mA			1.0	V
					1.25	V

SURFACE MOUNT SWITCHING DIODES**BAV19W, BAV20W, BAV21W****SOD-123
Formed SMD Package****ELECTRICAL CHARACTERISTICS (T_a=25° C unless specified otherwise)**

DESCRIPTION	SYMBOL	TEST CONDITION	Min	Typ	Max	UNIT
Total Capacitance	C _T	V _R =0V, f=1MHz			5	pF
Reverse Recovery Time	T _{rr}	at I _F = I _R =30mA, I _{RR} =0.1X I _R , R _L =100Ω			50	ns

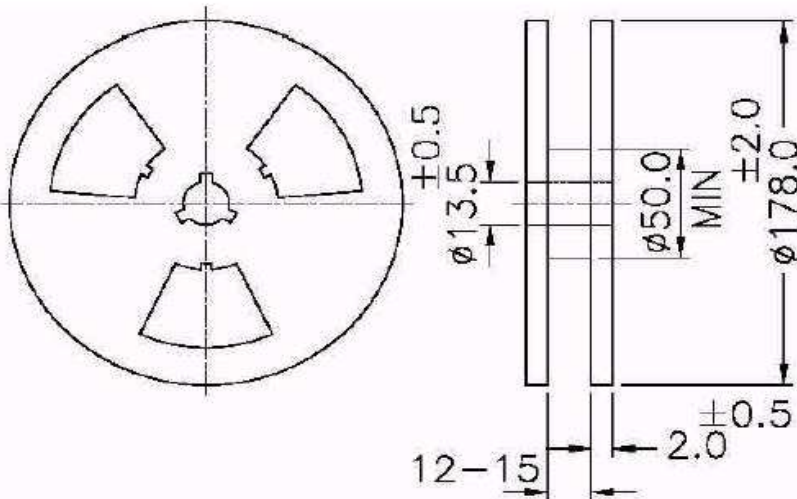
BAV19W_BAV21W Rev040805E

PACKAGE SOD-123 FL



All dimensions are in mm

CATHODE IS MARKED BY BAND



ALL DIMENSIONS ARE IN mm
 REEL ϕ 178 mm (7")
 3000 Pcs / REEL

Component Disposal Instructions

1. CDIL Semiconductor Devices are RoHS compliant, customers are requested to please dispose as per prevailing Environmental Legislation of their Country.
2. In Europe, please dispose as per EU Directive 2002/96/EC on Waste Electrical and Electronic Equipment (WEEE).

Disclaimer

The product information and the selection guides facilitate selection of the CDIL's Semiconductor Device(s) best suited for application in your product(s) as per your requirement. It is recommended that you completely review our Data Sheet(s) so as to confirm that the Device(s) meet functionality parameters for your application. The information furnished on the CDIL Web Site/CD are believed to be accurate and reliable. CDIL however, does not assume responsibility for inaccuracies or incomplete information. Furthermore, CDIL does not assume liability whatsoever, arising out of the application or use of any CDIL product; neither does it convey any license under its patent rights nor rights of others. These products are not designed for use in life saving/support appliances or systems. CDIL customers selling these products (either as individual Semiconductor Devices or incorporated in their end products), in any life saving/support appliances or systems or applications do so at their own risk and CDIL will not be responsible for any damages resulting from such sale(s).

CDIL strives for continuous improvement and reserves the right to change the specifications of its products without prior notice.



CDIL is a registered Trademark of

Continental Device India Limited

C-120 Naraina Industrial Area, New Delhi 110 028, India.

Telephone + 91-11-2579 6150, 4141 1112 Fax + 91-11-2579 5290, 4141 1119

email@cdil.com www.cdilsemi.com