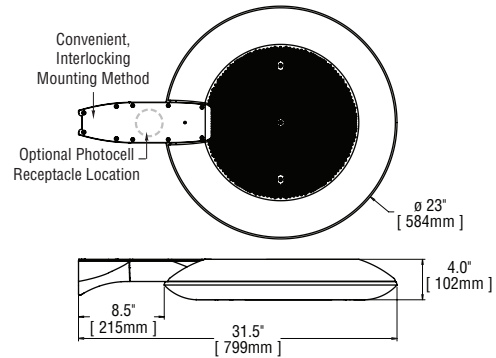


# ARE-EDR-5S-DA THE EDGE® LED Round Area Light – Type V Short

Rev. Date: 9/15/11

BetaLED Catalog #: ARE - EDR - 5S - DA - - D - - - - -



**Notes:**

Product	Family	Optic	Mounting	# of LEDs (x 10)	LED Series	Voltage	Color Options	Drive Current	Factory-Installed Options
								Not Field Adjustable	Please type additional options in manually on the lines provided above.
ARE	EDR	5S <sup>1</sup>	DA <sup>2</sup>	<input type="checkbox"/> 04 <sup>3</sup> <input type="checkbox"/> 06 <sup>3</sup> <input type="checkbox"/> 08 <sup>3</sup> <input type="checkbox"/> 10 <sup>3</sup> <input type="checkbox"/> 12	D	<input type="checkbox"/> UL Universal 120–277V <input type="checkbox"/> UH Universal 347–480V <input type="checkbox"/> 34 347V	<input type="checkbox"/> SV Silver <input type="checkbox"/> BK Black <input type="checkbox"/> BZ Bronze <input type="checkbox"/> PB Platinum Bronze <input type="checkbox"/> WH White	<input type="checkbox"/> 350 350mA <input type="checkbox"/> 525 525mA <input type="checkbox"/> 700* 700mA	<input type="checkbox"/> 43K 4300K Color Temperature <sup>5</sup> <input type="checkbox"/> DIM 0–10V Dimming <sup>6,7</sup> <input type="checkbox"/> F Fuse <sup>8,9,10</sup> <input type="checkbox"/> HL Hi/Low (175/350/525, dual circuit input) <sup>11</sup> <input type="checkbox"/> P Photocell <sup>10,12</sup> <input type="checkbox"/> R NEMA Photocell Receptacle <sup>10,13</sup> <input type="checkbox"/> ML Multi-Level (75/525) <sup>11</sup>

**Footnotes**

- IESNA Type V Short distribution
- Direct mounting arm for use with 3–6" (76mm–152mm) square or round pole
- Consists of multiple 20 LED light bars. 40, 60, 80, and 100 LED units use blanks as needed in place of populated light bars
- Available on fixtures with 40–60 LEDs
- Color temperature per fixture; 6000K standard; minimum 70 CRI
- Control by others
- Refer to [dimming spec sheet](#) for availability and additional information.
- When code dictates fusing use time delay fuse
- Not available when UH voltage is selected
- Not available with all multi-level options. Refer to [multi-level spec sheet](#) for availability and additional information
- Refer to [multi-level spec sheet](#) for availability and additional information
- Must specify voltage other than UH
- Intended for horizontal mounting

**LED PERFORMANCE SPECS**

# of LEDs	Initial Delivered Lumens – Type V Short @ 6000K	B U G			Initial Delivered Lumens – Type V Short @ 4300K	B U G			System Watts 120–277V	Total Current @ 120V	Total Current @ 240V	Total Current @ 277V	Total Current @ 347V	Total Current @ 480V	L <sub>70</sub> Hours* @ 25° C (77° F)	50K Hours Lumen Maintenance Factor* @ 15° C (59° F)
		Rating**				Rating**										
<b>350mA Fixture Operating at 25° C (77° F)</b>																
40 <sup>3</sup>	4,472 (04)	2	1	1	4,122 (04)	2	1	1	47	0.40	0.21	0.19	0.15	0.12	>150,000	93%
60 <sup>3</sup>	6,622 (06)	3	1	1	6,103 (06)	3	1	1	68	0.58	0.30	0.26	0.20	0.16	>150,000	
80 <sup>3</sup>	8,829 (08)	3	1	1	8,137 (08)	3	1	1	90	0.77	0.38	0.34	0.26	0.20	>150,000	
100 <sup>3</sup>	11,009 (10)	3	1	2	10,146 (10)	3	1	2	111	0.95	0.47	0.42	0.32	0.24	>150,000	
120	13,210 (12)	4	1	2	12,175 (12)	3	1	2	132	1.15	0.56	0.50	0.38	0.28	>150,000	
<b>525mA Fixture Operating at 25° C (77° F)</b>																
40 <sup>3</sup>	6,261 (04)	3	1	1	5,771 (04)	3	1	1	70	0.57	0.29	0.26	0.21	0.16	136,000	92%
60 <sup>3</sup>	9,271 (06)	3	1	2	8,544 (06)	3	1	1	102	0.87	0.44	0.39	0.30	0.22	129,000	
80 <sup>3</sup>	12,361 (08)	4	2	2	11,392 (08)	3	1	2	133	1.14	0.56	0.49	0.39	0.29	129,000	
100 <sup>3</sup>	15,412 (10)	4	1	2	14,205 (10)	4	1	2	172	1.47	0.75	0.67	0.51	0.38	128,000	
120	18,495 (12)	4	2	2	17,045 (12)	4	1	2	204	1.76	0.88	0.78	0.60	0.44	128,000	
<b>700mA Fixture Operating at 25° C (77° F)</b>																
40 <sup>3</sup>	7,648 (04)	3	1	1	7,048 (04)	3	1	1	93	0.79	0.40	0.35	0.27	0.20	111,000	90%
60 <sup>3</sup>	11,323 (06)	3	1	2	10,436 (06)	3	1	2	137	1.18	0.59	0.51	0.39	0.29	111,000	

\* For recommended lumen maintenance factor data see [TD-13](#)

\*\* For more information on the IES BUG (Backlight-Uplight-Glare) Rating visit [www.iesna.org/PDF/Erratas/TM-15-07BugRatingsAddendum.pdf](http://www.iesna.org/PDF/Erratas/TM-15-07BugRatingsAddendum.pdf)



**General Description**

Slim, low profile design minimizes wind load requirements. Fixture sides are rugged cast aluminum with integral, weather-tight LED driver compartments, spun aluminum vented cover and high performance aluminum heatsinks. Convenient, interlocking mounting method. Mounting housing is rugged die cast aluminum and mounts to 3–6" (76mm–152mm) square or round pole. Fixture is secured by two (2) 5/16-18 UNC bolts spaced on 2.375" (60mm) centers. Five year limited warranty on fixture.

**Electrical**

Modular design accommodates varied lighting output from high power, white, 6000K (+/- 500K per full fixture), minimum 70 CRI, long life LED sources. Optional 4300K (+/- 300K per full fixture) also available. 120–277V 50/60 Hz, Class 1 LED drivers are standard. 347–480V 50/60 Hz driver is optional. LED drivers have power factor >90% and THD <20% at full load. Units provided with integral 10kV surge suppression protection standard. Integral weather-tight electrical box with terminal strips (12Ga - 20Ga) for easy power hook-up. Surge protection tested in accordance with IEEE/ANSI C62.41.2.

**Testing & Compliance**

UL listed in the U.S. and Canada for wet locations and enclosure rated IP66 per IEC 60529 when ordered without P or R options. Consult factory for CE Certified products. Dark Sky Friendly. IDA Approved. RoHS Compliant.



**Finish**

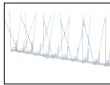
Exclusive Colorfast DeltaGuard® finish features an E-Coat epoxy primer with an ultra-durable silver powder topcoat, providing excellent resistance to corrosion, ultraviolet degradation and abrasion. Bronze, black, white and platinum bronze powder topcoats are also available. The finish is covered by our 10 year limited warranty.

Fixture and finish are endurance tested to withstand 5,000 hours of elevated ambient salt fog conditions as defined in ASTM Standard B 117.

**Patents**

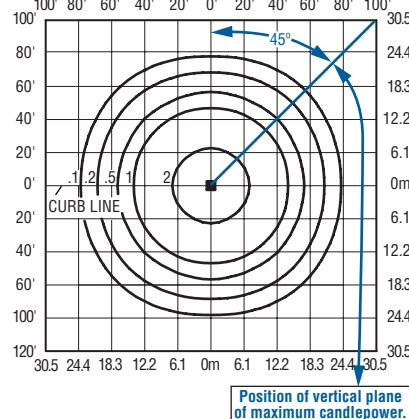
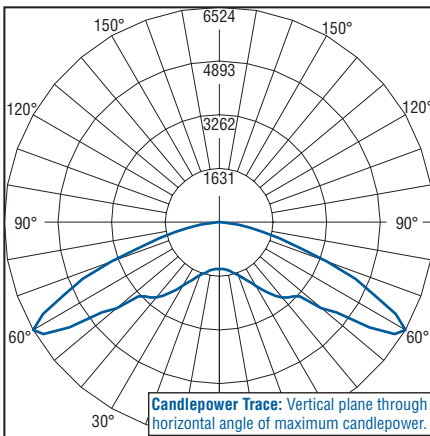
U.S. and international patents granted and pending. BetaLED is a division of Ruud Lighting, Inc. For a listing of Ruud Lighting, Inc. patents, visit [www.uspto.gov](http://www.uspto.gov).

**Field-Installed Accessories**



**Bird Spikes**  
 XA-BRDSPK

**Photometrics**



Independent Testing Laboratories certified test. Report No. ITL68092 Candlepower trace of 4300K, 120 LED Type V Short area luminaire with 17,059 initial delivered lumens operating at 525mA. All published luminaire photometric testing performed to IESNA LM-79-08 standards.

Isofootcandle plot of 4300K, 120 LED Type V Short Area Round luminaire at 25' (7.6m) A.F.G. Luminaire with 17,045 initial delivered lumens operating at 525mA. Initial FC at grade.

**THE EDGE® EPA & Weight Calculations**

# of LEDs	Approximate Weight 120-480V <sup>1</sup>	Mounting Options				
		Single	2@ 180°	2@ 90°	3@ 90°	3@ 120° 90°
<b>Fixed Arm Mount</b>						
40	35.8 lbs. (16.3kg)	0.53	1.05	0.94	1.58	1.24 1.84
60	36.9 lbs. (16.8kg)	0.53	1.05	0.94	1.58	1.24 1.84
80	38.5 lbs. (17.5kg)	0.53	1.05	0.94	1.58	1.24 1.84
100	39.7 lbs. (18.0kg)	0.53	1.05	0.94	1.58	1.24 1.84
120	41.3 lbs. (18.8kg)	0.53	1.05	0.94	1.58	1.24 1.84

1. 1. Add 5 lbs. (2.3kg) for transformer in 347–480V fixtures when multi-level options are selected

