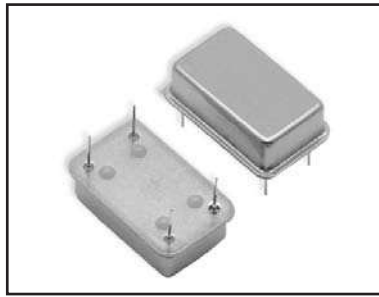


FMVPCL3 SERIES

3.3 Vdc PECL VCXO

14 PIN DIP



- 3.3 Vdc PECL
- Precise Clock Edges
- High Frequency /Low Noise
- SMD Gull-Wing Option

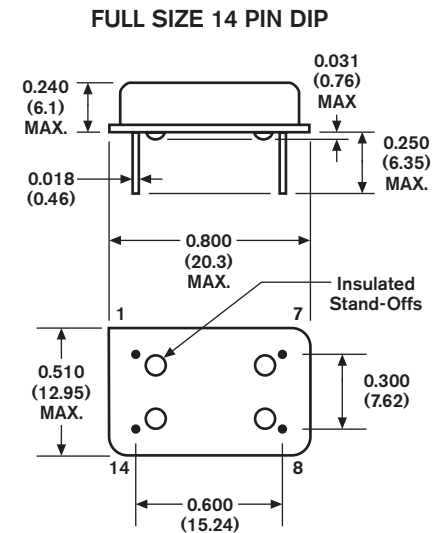


SPECIFICATIONS

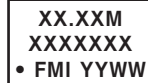
09 - Issue 2 - 021209

Parameter	Specification										
Frequency Range	30.0 - 160.0 MHz										
Overall Frequency Tolerance	±25 ppm to ±100 ppm (Inclusive of Operating Temp., Supply Voltage and Load)										
Operating Temperature Range	0 to +70° C Std. (See Temp. Range)										
Storage Temperature	-55° to +125° C										
Supply Voltage (Vdd)	+3.3 Vdc (±0.3Vdc)										
Supply Current	100 mA max.										
Symmetry (Duty Cycle)	40/60% Std., 45/55% Avail. (See Spec. Options S)										
Logic Type	ECL Squarewave, 100K Compatible										
Output "0" Level (VOL)	Vdd - 1.60 Vdc max.										
Output "1" Level (VOH)	Vdd - 1.02 Vdc min.										
Jitter (typical)	< 10 pico seconds, one sigma										
Phase Noise (typical)	<table border="1"> <tr> <td>10 Hz</td> <td>-75dBc/Hz</td> </tr> <tr> <td>100 Hz</td> <td>-110dBc/Hz</td> </tr> <tr> <td>1kHz</td> <td>-125dBc/Hz</td> </tr> <tr> <td>10kHz</td> <td>-130dBc/Hz</td> </tr> <tr> <td>100kHz</td> <td>-140dBc/Hz</td> </tr> </table>	10 Hz	-75dBc/Hz	100 Hz	-110dBc/Hz	1kHz	-125dBc/Hz	10kHz	-130dBc/Hz	100kHz	-140dBc/Hz
10 Hz	-75dBc/Hz										
100 Hz	-110dBc/Hz										
1kHz	-125dBc/Hz										
10kHz	-130dBc/Hz										
100kHz	-140dBc/Hz										
Control Voltage (Vc)	Nominal 2.5 Vdc, Range 0.5-4.5 Vdc, Positive Transfer										
Rise and Fall Time	2 nS max.										
Linearity	±20% max. Std., ±10% Available (See Spec. Option L)										
Aging	±3 ppm first year max.										

All specifications subject to change without notice.



STANDARD MARKING



XX.XXM FREQUENCY in MHz
 XXXXXXXX Part Number
 ESD/Pin 1 Symbol, FMI, Date Code

PIN FUNCTION TABLE

Pin	Function
1	Control Voltage (Vc)
7	Case Ground
8	Output
14	Supply Voltage (Vdd)

Standard Specifications for product indicated in **color**

Dimensions: $\frac{\text{Inches}}{\text{(mm)}}$

PART DESCRIPTION SYSTEM

FMVPCL3 00 C G A S / L - XXX.XXXXXX - CM

Product Family
 +3.3 Vdc PECL VCXO
 Full-Size 14 Pin DIP

Overall Frequency Tol.	
25	± 25 ppm
50	± 50 ppm
00	± 100 ppm
nn	± Custom Value

Min. Pullability	
B	±75 ppm
C	±100 ppm
D	±125 ppm
E	±150 ppm
X	Custom
Z	No Spec.

Max. Pullability	
C	±100 ppm
D	±125 ppm
E	±150 ppm
F	±175 ppm
G	±200 ppm
X	Custom
Z	No Spec.

Temp. Range	
A	0 to 70 °C
B	-20 to 70 °C
C	-40 to 85 °C
D	-10 to 50 °C
E	-10 to 60 °C
F	-30 to 60 °C
J	0 to 50 °C
X	Custom

Frequency (MHz)

Spec. Options	
S	Tight Symmetry (45/55%) Duty Cycle
L	Linearity ±10% Max.
Blank - None Required (Std.)	

Options	
GW	Gull Wing
PD	Parameter Data
CM	Custom Mark
BLANK - None Req'd.	