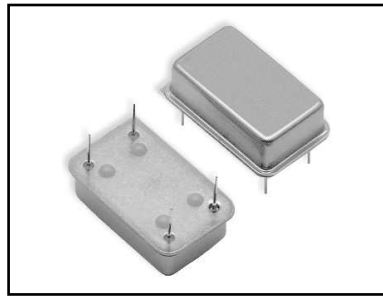


FMOC71 SERIES

5.0 Vdc Clock Oscillators

14 PIN DIP



- High Frequency via Multiplier
- 3.3 Vdc Supply Voltage Option
- HCMOS/TTL Compatible
- Lower Cost

SPECIFICATIONS

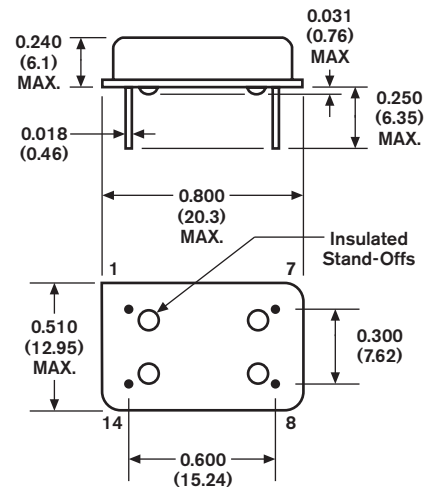
08 - Issue 2 - 041508

Parameter	Specification
Frequency Range	60.0 - 160.0 MHz (100 MHz max @ +3.3 Vdd)
Overall Frequency Tolerance	±20 ppm to ±100 ppm (Inclusive of Operating Temp., Supply Voltage, & Load)
Operating Temperature Range	0 to +70°C Std. (See Temp. Range Options)
Storage Temperature	-55 to +125°C
Supply Voltage (Vdd)	+5.0 Vdc (±0.5 Vdc) or +3.3 Vdc (±0.3 Vdc)
Supply Current (Icc)	30 mA max. @ 6.0 to 99.9 MHz 50 mA max. @ 100.0 to 149.9 MHz 60 mA max. @ 150.0 to 160.0 MHz
Symmetry (Duty Cycle)	40/60% Std., 45/55% Avail. (See Spec. Option S)
Output "0" Level (VOL)	0.4 Vdc max. (TTL) 0.5 Vdc max. (HCMOS) (0.3 Vdc max @ +3.3 Vdd)
Output "1" Level (VOH)	2.4 Vdc min. (TTL) 4.5 Vdc min. (HCMOS) (3.0 Vdc min @ +3.3 Vdd)
Rise and Fall Time	10 ns max. < 5 ns typical
Start Time	10 ms max. < 5 ms typical
Output Load	10 TTL / 15 pF HCMOS
Jitter (typical)	< 25 pico seconds, one sigma
Phase Noise (typical)	10 Hz -75dBc/Hz 100 Hz -105dBc/Hz 1kHz -100dBc/Hz 10kHz -90dBc/Hz 100kHz -95dBc/Hz 1MHz -120dBc/Hz
Pin 1 Options (See Spec. Option T below)	No Connect (Std.) Tri-State (option T) VIH: 2.2 V or Open Enables Output VIL: 0.8 V Disables Output Output Disable/Enable Time: 100 nS max.
Aging @ 25°C	±5ppm max first year

All specifications subject to change without notice.



FULL SIZE 14 PIN DIP



PIN FUNCTION TABLE

Pin	Function
1	NC or Tri-State
7	Case Ground
8	Output
14	Supply Voltage (Vdd)

STANDARD MARKING

XXX.XXXM
XXXXXXX
• FMI YYWW

XXX.XXXM FREQUENCY in MHz
XXXXXXX Part Number
Pin 1 Symbol, FMI, Date Code

Standard Specifications for product indicated in color

Dimensions: $\frac{\text{Inches}}{\text{(mm)}}$

PART DESCRIPTION SYSTEM

FMOC71 00 A 3/S/T - XXX.XXXXXXM - CM

