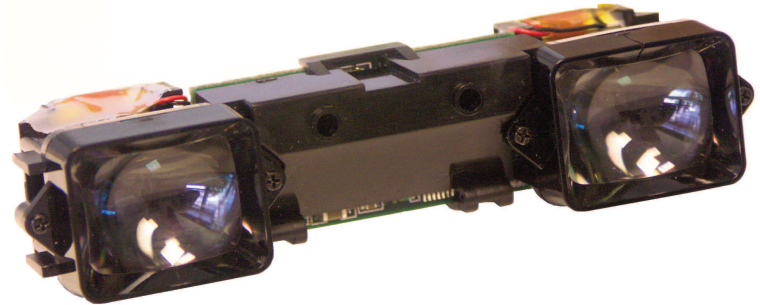


FEATURES

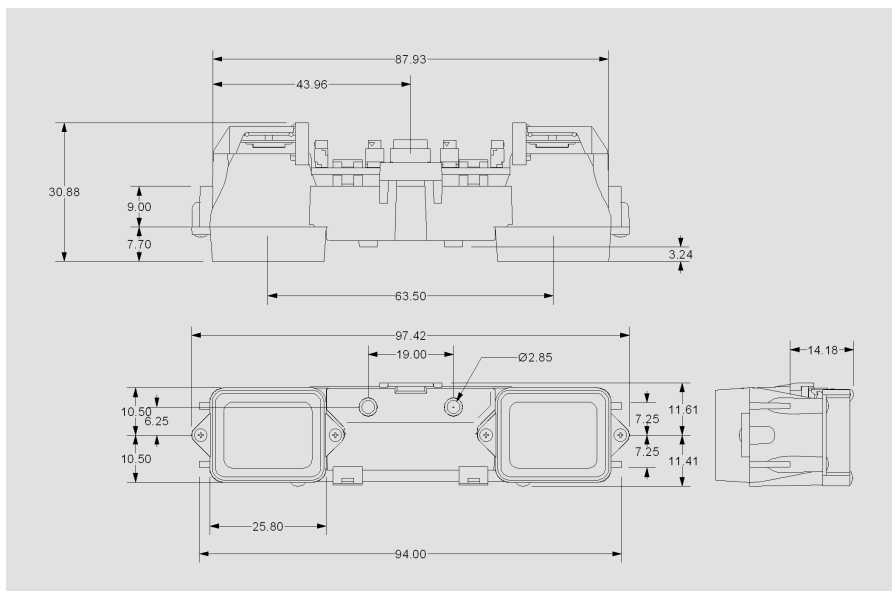
- Fully integrated with Kopin CyberDisplay® VGA color displays, backlights, lenses and drive electronics
- Plug and Play
Just provide 3.3 volt power and video signal (auto-selecting for either NTSC or PAL standard)
- VGA resolution (640 x 480)
- Large image size (48" diagonal at 7 foot distance)
- High-quality optics
 - 32 degree field of view
 - 20 mm eye relief
 - 10 mm exit pupil
- 63.5 mm Interpupillary Distance (IPD)
- Compact size (97.42 mm x 23.02 mm x 30.88 mm)
- Lightweight (28 g)
- Low power consumption (825 mW Typ.)

MECHANICAL OUTLINE



Fully Integrated Binocular Video Eyewear Subsystem

Speed up your Eyewear development with our BDM-922K which delivers a large (48" diagonal at 7 foot distance), crisp image for comfortable extended viewing of movies and TV on the go and playing mobile games. This light-weight, compact module is a fully operational video subsystem that is ready to incorporate into your own Eyewear design with minimal effort. The module integrates two CyberDisplay® VGA color-filter displays, LED backlights, a pair of pre-aligned high-quality lenses, and the drive electronics.



NOTE: dimensions in millimeters

*Specifications subject to change without notice

DISPLAY MARKETING

Tel: 508-870-5959 Fax: 508-870-0660

HONG KONG

Tel: 852-2607-4151 Fax: 852-2607-4156

JAPAN

Tel: 81-3-5325-3549 Fax: 81-3-5322-2929

KOREA

Tel: 82-31-337-2451 Fax: 82-31-335-7680

cyberdisplay@kopin.com

DS KCD-QECF-LX Rev. A 8/3/066

The BDM-922K

is a fully operational

binocular video

subsystem with

VGA resolution that

is ready to incorporate

into your own

Eyewear design

with minimal effort.

MECHANICAL

Dimension	97.42 mm (W) x 23.02 mm (H) x 30.88 mm (D)
Weight	28 g

CYBERDISPLAY VGA

Resolution	640 x 480 (VGA)
Diagonal Size	0.44" (11 mm)
Active Area	9.0 mm x 6.77 mm
Color Configuration	Vertical stripe

OPTICAL

Field of View	32° diagonal
Virtual Image Size	48 inches diagonal at 7 feet
Eye Relief	20 mm
Exit Pupil Diameter	10 mm
Interpupillary Distance	63.5 mm

ENVIRONMENTAL

Storage Temperature	-20°C to 80°C
Operating Temperature	0°C to 60°C
Humidity	40°C at 80% humidity for 240 hours
Shock	3 foot drop to concrete
Vibration	20 Hz to 2000 Hz, 6 G's RMS maximum 3 axes

ELECTRICAL

CONNECTOR	VENDOR PART #	PIN #	SIGNAL	PARAMETERS
BDM Input	JST SHR-07V-S	1	Power	+3.3 VDC @ 250 mA Typ.
		2	Power RTN	
		3	CVBS	Composite video input
		4	CVBS RTN	
		5	Audio L	
		6	Audio R	
		7	Audio RTN	
Audio Output Right	JST SHR-02V-S	1	Audio R+	
		2	Audio R-	
Audio Output Left	JST SHR-02V-S	1	Audio L+	
		2	Audio L-	

Technical Support is available to customers via email, fax or telephone.