



**BOURNS®**

### Features

- Formerly J. W. Miller® model
- Available in E12 series
- Low profile of only 2.5 mm
- Low inductance values
- RoHS compliant\*

### Applications

- Input/output of DC/DC converters
- Power supplies for:
  - Portable communication equipment
  - Camcorders
  - LCD TVs
  - Car radios

## PM32 Series - SMD Power Inductors

### Electrical Specifications

Bourns Part No.	Inductance 1 kHz		Q Ref.	Test Frequency (MHz)	SRF Min. (MHz)	RDC Max. (Ω)	I rms Max. (A)	I sat Typ. (A)
	(μH)	Tol. %						
PM32-1R0M-RC	1.0	± 20	20	7.96	125.0	0.06	2.100	2.700
PM32-1R4M-RC	1.4	± 20	22	7.96	95.0	0.07	1.500	2.300
PM32-1R8M-RC	1.8	± 20	23	7.96	85.0	0.08	1.800	2.000
PM32-2R2M-RC	2.2	± 20	22	7.96	75.0	0.09	1.650	1.850
PM32-2R7M-RC	2.7	± 20	22	7.96	72.0	0.10	1.500	1.700
PM32-3R3M-RC	3.3	± 20	23	7.96	68.0	0.11	1.400	1.600
PM32-3R9M-RC	3.9	± 20	24	7.96	50.0	0.12	1.300	1.500
PM32-4R7M-RC	4.7	± 20	18	7.96	45.0	0.15	1.200	1.350
PM32-5R6M-RC	5.6	± 20	18	7.96	42.0	0.16	1.100	1.300
PM32-6R8M-RC	6.8	± 20	18	7.96	40.0	0.18	1.000	1.200
PM32-8R2M-RC	8.2	± 20	16	7.96	35.0	0.20	0.900	1.050
PM32-100M-RC	10.0	± 20	18	2.52	34.0	0.25	0.800	0.900
PM32-120M-RC	12.0	± 20	15	2.52	33.0	0.28	0.750	0.850
PM32-150M-RC	15.0	± 20	20	2.52	32.0	0.40	0.650	0.800
PM32-180M-RC	18.0	± 20	18	2.52	28.0	0.46	0.580	0.750
PM32-220M-RC	22.0	± 20	23	2.52	22.0	0.66	0.520	0.650
PM32-270M-RC	27.0	± 20	23	2.52	20.0	0.75	0.480	0.550
PM32-330M-RC	33.0	± 20	20	2.52	18.0	0.85	0.420	0.500
PM32-390M-RC	39.0	± 20	24	2.52	18.0	1.12	0.380	0.450
PM32-470M-RC	47.0	± 20	23	2.52	17.0	1.27	0.360	0.400
PM32-560M-RC	56.0	± 20	18	2.52	16.0	1.45	0.340	0.350
PM32-680M-RC	68.0	± 20	24	2.52	14.0	1.85	0.300	0.320
PM32-820M-RC	82.0	± 20	24	2.52	12.0	2.10	0.280	0.300
PM32-101M-RC	100.0	± 20	40	0.796	10.0	2.85	0.260	0.280
PM32-121M-RC	120.0	± 20	40	0.796	10.0	3.20	0.220	0.250
PM32-151M-RC	150.0	± 20	38	0.796	9.0	4.60	0.200	0.230
PM32-181M-RC	180.0	± 20	45	0.796	8.5	5.00	0.185	0.210
PM32-221M-RC	220.0	± 20	40	0.796	8.0	5.70	0.170	0.190
PM32-271M-RC	270.0	± 20	45	0.796	7.0	8.60	0.150	0.170
PM32-331M-RC	330.0	± 20	40	0.796	6.0	10.00	0.130	0.150
PM32-391M-RC	390.0	± 20	40	0.796	5.5	10.80	0.120	0.140
PM32-471M-RC	470.0	± 20	42	0.796	5.0	14.30	0.105	0.130

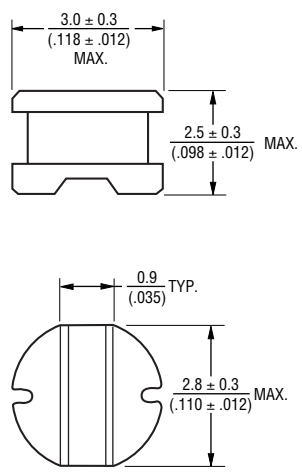
### General Specifications

Test Voltage.....1 V  
 Reflow Soldering .. 230 °C, 50 sec. max.  
 Operating Temperature  
 .....-40 °C to +125 °C  
 (Temperature rise included)  
 Storage Temperature  
 .....-40 °C to +125 °C  
 Resistance to Soldering Heat  
 ..... 260 °C for 5 sec.

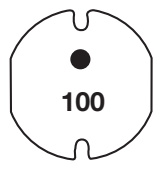
### Materials

Core ..... Ferrite DR  
 Wire ..... Enameled copper wire 130  
 Terminal ..... Ag/Ni/Sn  
 Rated Current  
 ..... Ind. drop 10 % typ. at Isat  
 Temperature Rise ..... 40 °C max.  
 at rated I rms  
 Packaging..... 1500 pcs. per reel

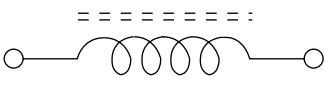
### Product Dimensions



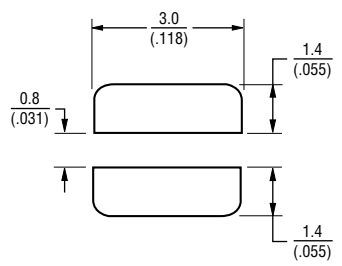
### Typical Part Marking



### Electrical Schematic



### Recommended Layout



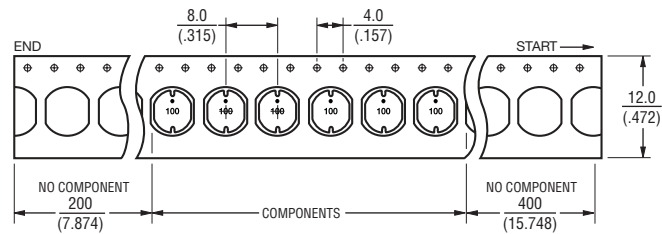
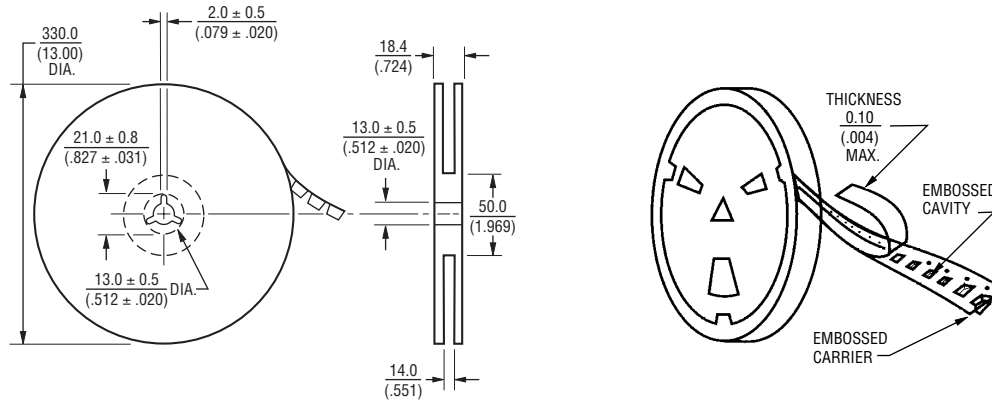
DIMENSIONS:  $\frac{\text{MM}}{\text{(INCHES)}}$

\*RoHS Directive 2002/95/EC Jan. 27, 2003 including annex and RoHS Recast 2011/65/EU June 8, 2011. Specifications are subject to change without notice. Customers should verify actual device performance in their specific applications.

# PM32 Series - SMD Power Inductors

**BOURNS®**

## Packaging Specifications



USER DIRECTION OF FEED →

QTY: 1500 PCS. PER REEL

DIMENSIONS:  $\frac{\text{MM}}{\text{(INCHES)}}$

REV. 05/09

Specifications are subject to change without notice. Customers should verify actual device performance in their specific applications.