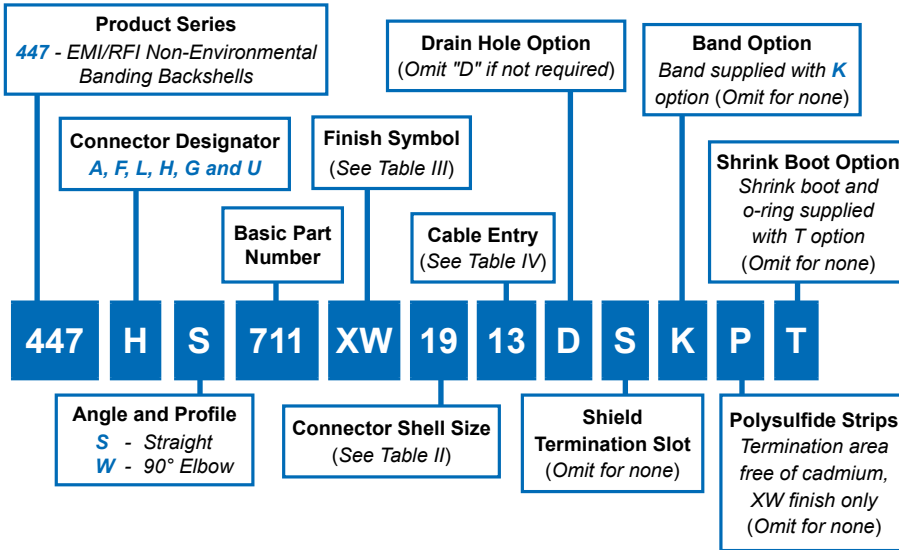
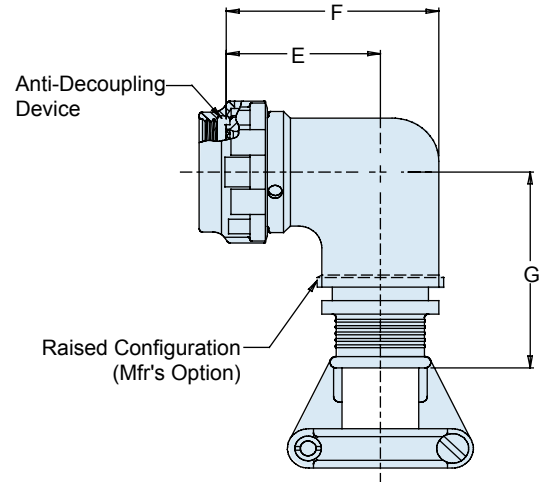
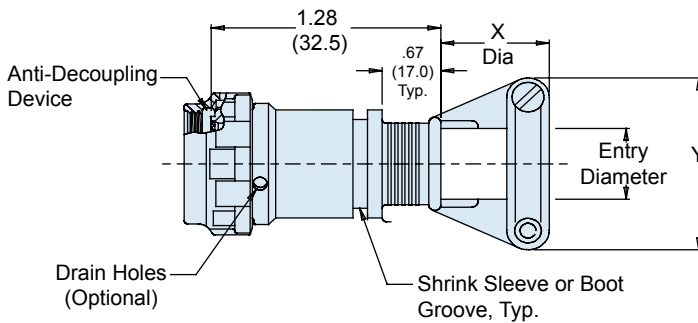


# 447-711 Composite EMI/RFI Banding Backshell with Strain Relief and Self-Locking Rotatable Coupling



Entry Code	Entry Dia. ±.03 (0.8)	X Dia. ±.03 (0.8)	Y Dia. ±.03 (0.8)
04	.250 (6.4)	.51 (13.0)	.875 (22.2)
05	.310 (7.9)	.51 (13.0)	.936 (23.8)
07	.420 (10.7)	.51 (13.0)	1.172 (29.8)
09	.530 (13.5)	.63 (16.0)	1.281 (32.5)
10	.630 (16.0)	.63 (16.0)	1.406 (35.7)
12	.750 (19.1)	.63 (16.0)	1.500 (38.1)
13	.810 (20.6)	.63 (16.0)	1.562 (39.7)
15	.940 (23.9)	.63 (16.0)	1.687 (42.8)
16	1.00 (25.4)	.63 (16.0)	1.812 (46.0)
19	1.16 (29.5)	.63 (16.0)	1.912 (48.6)

NOTE: Coupling Nut Supplied Unplated



Shell Size For Connector Designator*					E	F	G	Max Entry
A	F/L	H	G	U	±.06 (1.5)	±.09 (2.3)	±.09 (2.3)	Dash No.**
08	08	09	-	-	.69 (17.5)	.88 (22.4)	1.36 (34.5)	04
10	10	11	-	08	.75 (19.1)	1.00 (25.4)	1.42 (36.1)	05
12	12	13	11	10	.81 (20.6)	1.13 (28.7)	1.48 (37.6)	07
14	14	15	13	12	.88 (22.4)	1.31 (33.3)	1.55 (39.4)	09
16	16	17	15	14	.94 (23.9)	1.38 (35.1)	1.61 (40.9)	11
18	18	19	17	16	.97 (24.6)	1.44 (36.6)	1.64 (41.7)	13
20	20	21	19	18	1.06 (26.9)	1.63 (41.4)	1.73 (43.9)	15
22	22	23	-	20	1.13 (28.7)	1.75 (44.5)	1.80 (45.7)	17
24	24	25	23	22	1.19 (30.2)	1.88 (47.8)	1.86 (47.2)	20

\*\*Consult factory for additional entry sizes available.  
Consult factory for O-Ring to be supplied with part less shrink boot.

Symbol	Finish Description
XM	2000 Hour Corrosion Resistant Electroless Nickel
XMT	2000 Hour Corrosion Resistant Ni-PTFE, Nickel-Fluorocarbon Polymer. 1000 Hour Grey™
XW	2000 Hour Corrosion Resistant Cadmium/Olive Drab over Electroless Nickel